

PRODUCT INFORMATION BULLETIN

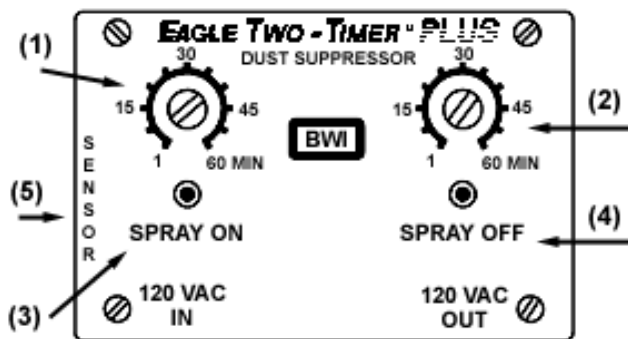
TWO-TIMER PLUS Dust Suppression System MODEL 60-9000

DESCRIPTION

The EAGLE® TWO-TIMER PLUS is a new version of the original Two-Timer. This model now has the battery eliminated and replaced with an EEPROM memory I.C. A dip switch on the PC Board allows the user to enable or disable the memory feature. The default setting for this switch is "ON".

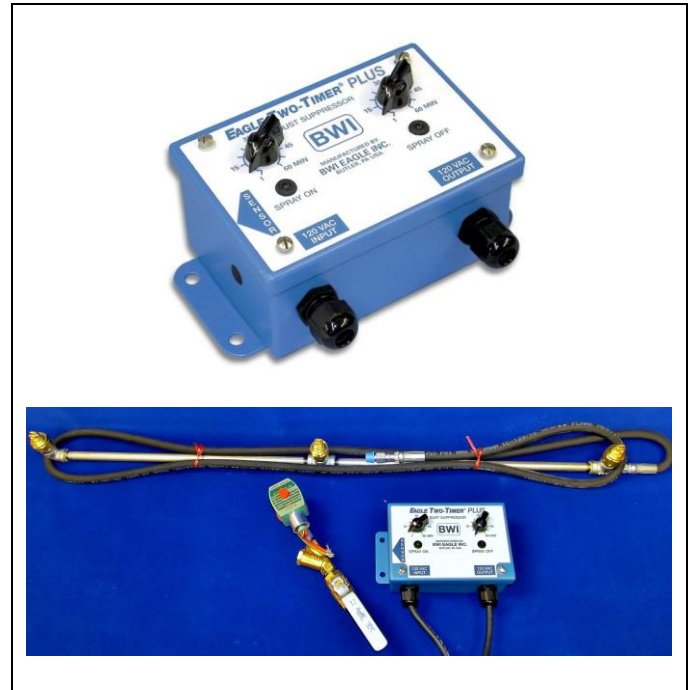
Tailor-made dust suppression is possible because separate, adjustable timers control the spray-on / spray-off cycles. The operator merely sets the time in each cycle which he has found best reduces or eliminates dust problems. Should conditions (e.g. humidity, air velocity) require changing cycle times, a simple timer adjustment will adapt the belt spray to the new situation. A unique memory circuit accounts for interruptions that occur during either cycle. For example; the conveyor stops six minutes into a twelve minute spray cycle. The spray automatically stops when the belt stops. When the belt restarts, spraying continues with the six minutes left in the cycle. This feature eliminates two problems: unnecessary wetting of the belt and flooding around the belt.

CONTROLS AND INDICATORS



- 1) On Time Adjustment - Potentiometer used to adjust solenoid "on-time" from 1-60 minutes. (Note #1)
- 2) Off Time Adjustment - Potentiometer used to adjust solenoid "off-time" from 1-60 minutes. (Note #1)
- 3) Spray On LED - When illuminated, indicates unit is in the 'spray-on' cycle.
- 4) Spray Off LED - When illuminated, indicates unit is in the 'spray-off' cycle.
- 5) Sensor Input Connector - Not used on this model (See model [#60-9100](#) for information on this feature)

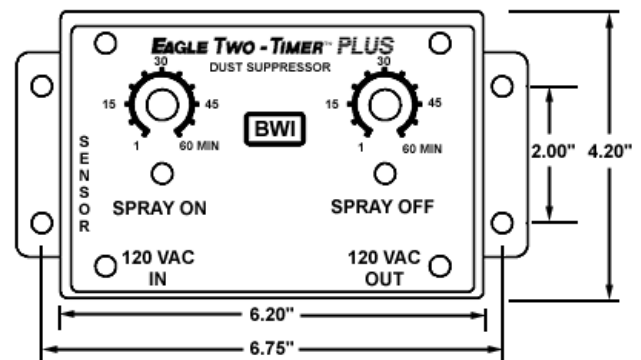
Note #1 - Any adjustments of the potentiometers for both the "on" and "off" timers will not take effect until the cycle the unit is currently in completes.



SPECIFICATIONS

AC Input	120 VAC 20W
Fuse Protected	2 Amp
Operating Temperature	-40° to 60°C
AC Output	120 VAC 5 Amp MAX
On and Off Timers	1 - 60 Minutes, Adjustable
Memory (EEPROM)	On - Off (user selectable)

DIMENSIONS

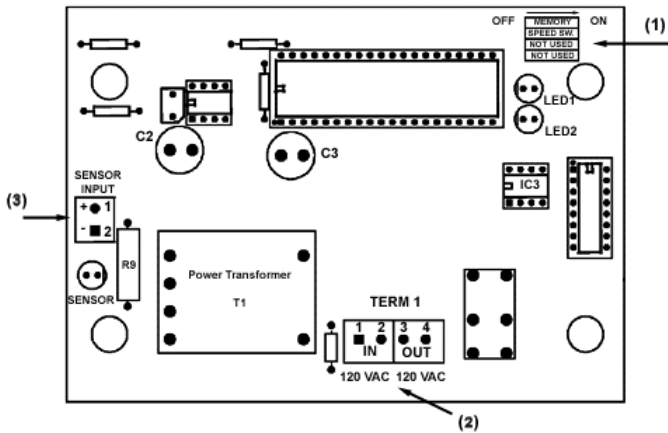


TWO-TIMER PLUS

Dust Suppression System

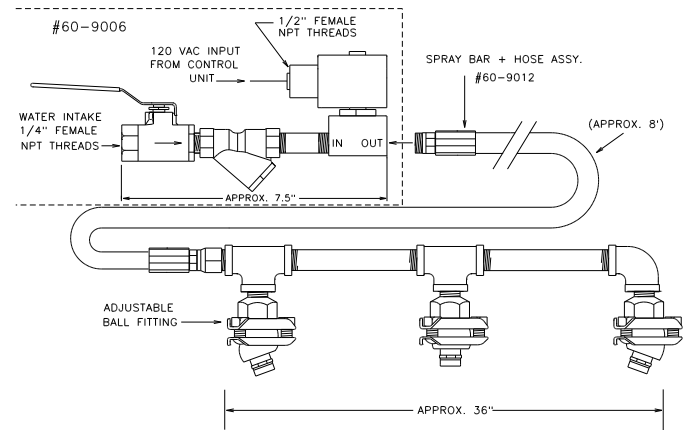
MODEL 60-9000

SET-UP OPTIONS



- 1) Memory Select Switch - Enables or disables the memory when AC power is removed. The default setting for this switch is "ON". To change this option, do the following:
 - A) Locate the 4-position DIP switch in the upper right section of the PC Board.
 - B) The top switch(#1) should be in the "ON" position (rocker switch pushed towards the right). To remove the memory, push this rocker switch towards the "left" to the open/off position. (A ball point pen or small screwdriver should be used to move the switch). The (3) remaining switches should be left in the open/off position. These are not used in this model.
 - C) Once AC power is applied to the unit, it will read the new switch settings. **NOTE** - If you are changing this feature while AC power is still applied to the unit, the reset switch (#2) **MUST** be momentarily pushed to allow the new switch settings to take effect.
- 2) 120 VAC In/Out Terminals - Connect 120VAC input to terminals 1&2. Connect 120VAC output to solenoid on terminals 3&4.
- 3) Sensor Input Terminals - Not used in this model

HARDWARE SPECIFICATIONS



AC Input	120 VAC 6W
Maximum Water Pressure	350 P.S.I.
GPMs @ 350 P.S.I.	Approx 4.5 GPM
GPMs @ 85 P.S.I.	Approx 2.0 GPM
Nozzle GPM @ 350 P.S.I.	1.0 GPM Per Nozzle
Nozzle GPM @ 85 P.S.I.	0.4 GPM Per Nozzle
Nozzle Spray Angle	65°
Nozzle Spray Pattern	Tapered Edge Flat Spray

REPLACEMENT AND OPTIONAL PARTS

Control Unit	60-9005
Solenoid Valve Assembly	60-SOL-500
Spray Bar & Hose Assembly	60-SPRAY