



PRODUCT INFORMATION BULLETIN

AIR-EAGLE® XLT PLUS 900MHz RF Transceiver MODEL 461-40800-AC

DESCRIPTION

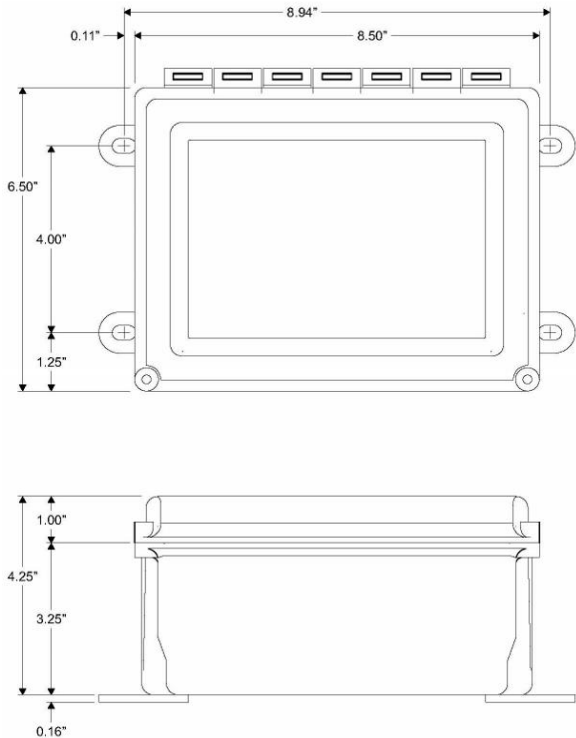
The AIR-EAGLE XLT PLUS RF TRANSCEIVER provides two-way wireless control of electronic equipment and apparatus at distances up to 1 mile away (longer ranges can be achieved with external antennas). This model comes equipped with eight dry contact inputs and eight relay outputs. This allows the user to not only transmit information out but receive a confirming signal back that the operation was performed. A terminal strip has been provided for interfacing with external dry contact inputs as well as dry contact relay outputs. The Air-Eagle XLT TRX is user-programmable for up eight network frequencies to allow multiple systems to operate simultaneously in the same area.

INSTALLATION

DISCONNECT AC Power from all equipment before installation.

1. Mount the Air-EAGLE XLT PLUS RECEIVER in a convenient location.
2. Install input and output wiring to terminal strip.
3. Install antenna to connector located on the right side on the enclosure.
4. Connect supplied power input cable to your external power source.

DIMENSIONS



TERMINAL STRIP WIRING

RELAY OUTPUTS					
1	N/O Relay #1	10	N/O Relay #4	19	N/O Relay #7
2	C Relay #1	11	C Relay #4	20	C Relay #7
3	N/C Relay #1	12	N/C Relay #4	21	N/C Relay #7
4	N/O Relay #2	13	N/O Relay #5	22	N/O Relay #8
5	C Relay #2	14	C Relay #5	23	C Relay #8
6	N/C Relay #2	15	N/C Relay #5	24	N/C Relay #8
7	N/O Relay #3	16	N/O Relay #6		
8	C Relay #3	17	C Relay #6		
9	N/C Relay #3	18	N/C Relay #6		
CONTACT INPUTS					
1	Common Input 1	10	Input 5		
2	Input 1	11	Common Input 6		
3	Common Input 2	12	Input 6		
4	Input 2	13	Common Input 7		
5	Common Input 3	14	Input 7		
6	Input 3	15	Common Input 8		
7	Common Input 4	16	Input 8		
8	Input 4	17	Not Used		
9	Common Input 5	18	Not Used		
AC POWER INPUT					
Terminal #1		100-250 VAC			
Terminal #2		100-250 VAC			

AIR-EAGLE® XLT PLUS

900MHz RF Transceiver

MODEL 461-40800-AC

APPROVALS

United States (FCC)	MCQ-XBPSX
Canada (IC)	1846A-XBPSX

GENERAL OPERATION

Contact closures on inputs 1 thru 8 in the control transceiver transmit to activate relays #1 thru #8 in the remote transceiver. Inputs from the remote equipment provide closures to remote transceiver that transmit to energize relays 1 thru 8 in the control transceiver.

INPUT ACTIVATED	ACTION
"1"	Transmits channel 1 command to remote unit
"2"	Transmits channel 2 command to remote unit
"3"	Transmits channel 3 command to remote unit
"4"	Transmits channel 4 command to remote unit
"5"	Transmits channel 5 command to remote unit
"6"	Transmits channel 6 command to remote unit
"7"	Transmits channel 7 command to remote unit
"8"	Transmits channel 8 command to remote unit
INPUT CODE RECEIVED	ACTION
"1"	Relay #1 energizes, maintained momentary
"2"	Relay #2 energizes, maintained momentary
"3"	Relay #3 energizes, maintained momentary
"4"	Relay #4 energizes, maintained momentary
"5"	Relay #5 energizes, maintained momentary
"6"	Relay #6 energizes, maintained momentary
"7"	Relay #7 energizes, maintained momentary
"8"	Relay #8 energizes, maintained momentary

SPECIFICATIONS

AC Input	100-250 VAC, 5 W, 50/60 Hz
Fuse Protected	2 amp
Frequency	900MHz Spread Spectrum
Relay Contacts	SPDT 5 amp @ up to 120VAC or 30VDC per channel
Transmitter Data	Eight Dry Contact Inputs
RF Output Power	1W
Transceiver Range	Up to 1 Mile with Rubber Duck Antenna / Up to 10 Miles with External Antenna
<small>Note: Max range figures are estimates, based on free-air terrain with limited sources of interference. Actual range will vary based on transmitting power, orientation of transmitter and receiver, height of transmitting antenna, height of receiving antenna, weather conditions, interference sources in the area, and terrain between receiver and transmitter, including, but not limited to, indoor and outdoor structures such as walls, metal objects, trees, buildings, hills, and mountains.</small>	
RF Networks	Eight Independent Network Frequencies
Enclosure	Hinged fiberglass with window / NEMA 3, 3R, 4, 12, 13
Operating Temp	-40° F to +185° F

RELAY & FREQUENCY SET-UP

This unit is shipped from the factory with the SEL1 switches in the open positions. All eight relays will operate in a maintained momentary manner, and unit is receiving commands on frequency one. If you wish to change these default settings, follow the instructions on the table below.

- 1) Remove power from unit
- 2) Remove top cover.
- 3) Select desired relay operation and/or network frequency using table below.
- 4) Reattach cover and apply power.
- 5) Programming is now complete.

RELAY CONFIGURATION		
SEL1 SWITCH NUMBER	OPEN	CLOSED
SW1	Relays #1 thru #8 maintained momentary (default)	Relays #1 thru #8 toggle/latch

Maintained Momentary – Relay mimics button or input – when depressed or closed, relay will be energized; when released, relay de-energizes

Toggle Latch – Relay changes (and holds) its state each time the corresponding button or input is depressed or closed momentarily

SW2-4	Not used on this model
-------	------------------------

FREQUENCY SET-UP				
SEL1	Network Frequency	SW5	SW6	SW7
(SW5-7)	1 (default)	OPEN	OPEN	OPEN
	2	CLOSED	OPEN	OPEN
	3	OPEN	CLOSED	OPEN
	4	CLOSED	CLOSED	OPEN
	5	OPEN	OPEN	CLOSED
	6	CLOSED	OPEN	CLOSED
	7	OPEN	CLOSED	CLOSED
	8	CLOSED	CLOSED	CLOSED

ACCESSORIES

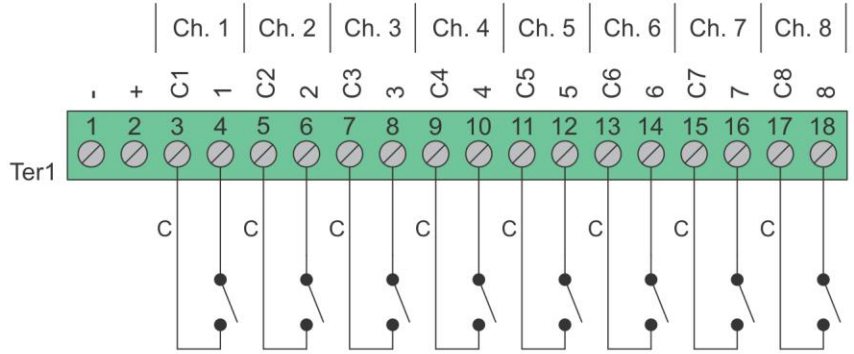
Standard Antenna (Included):	
900MHz TNC "Rubber Duck" Antenna	49-1103
Mobile/Base Antennas – Used to help achieve max range in both non line of sight and line of sight applications. - Contact BWI Eagle for recommendations	
900MHz Thru-Hole Mount Mobile Antenna	49-2101
900MHz Magnet Mount Mobile Antenna	49-2102
900MHz Omni Directional Base Antenna	49-3101
900MHz Yagi Directional Base Antenna	49-3102
High Quality Coax Cables – Used to connect external high gain antennas to control unit	
Flex Coax Cable w/Connectors – Available in 5', 15', 25', 30', 40', 60', 80', 100' Lengths	49-4000-XX (XX = # of Feet)
Bulkhead Extensions – Used to provide an external antenna connection when mounting control unit inside another enclosure	
TNC Male to TNC Bulkhead Cable Assembly - Available in 2', 4', 7' Lengths	49-5004-X-ISO (X = # of Feet)



DRY CONTACT INPUT WIRING 8-Input Transmitter

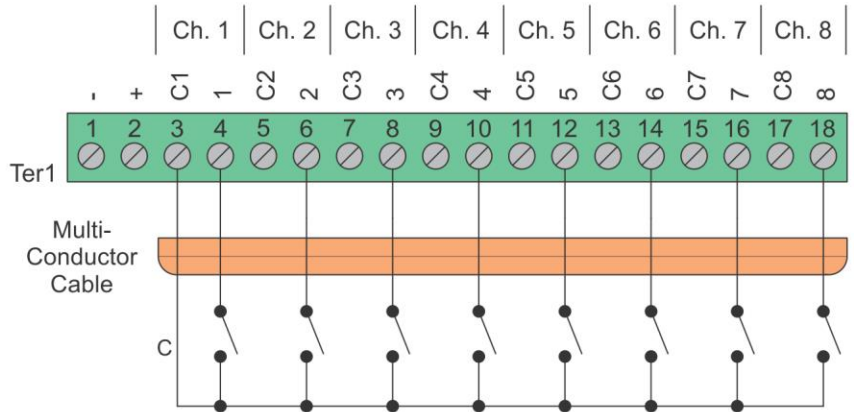
Standard wiring of a dry contact input transmitter

Shorting together the contacts of the respective channel will cause it to transmit. This can be done with any type of manual or automatic switch.



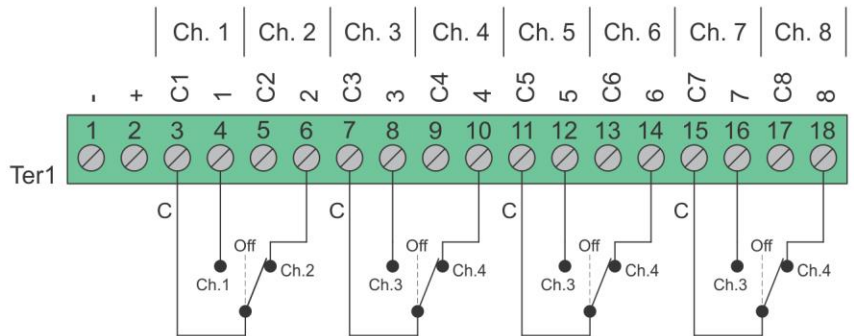
Standard Wiring for Common Ground Applications

Because each channel shares a common (C) terminal, inputs can be wired as shown to allow for fewer conductors to be run to the transmitter.



SPDT Switches

The common (C) terminal of the switch only needs to be connected to one of the channels ground terminal. In this configuration four channels would be transmitting all the time. A switch with a center "off" position would allow transmitting to stop. In this example channels 2, 4, 6, and 8 are transmitting.

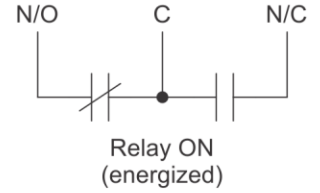
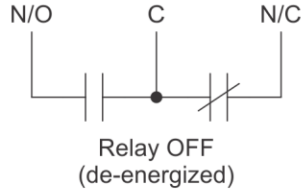


Wiring configurations shown here are examples. The wiring for your application may differ.
Call BWI Eagle for assistance or consult an electrician.

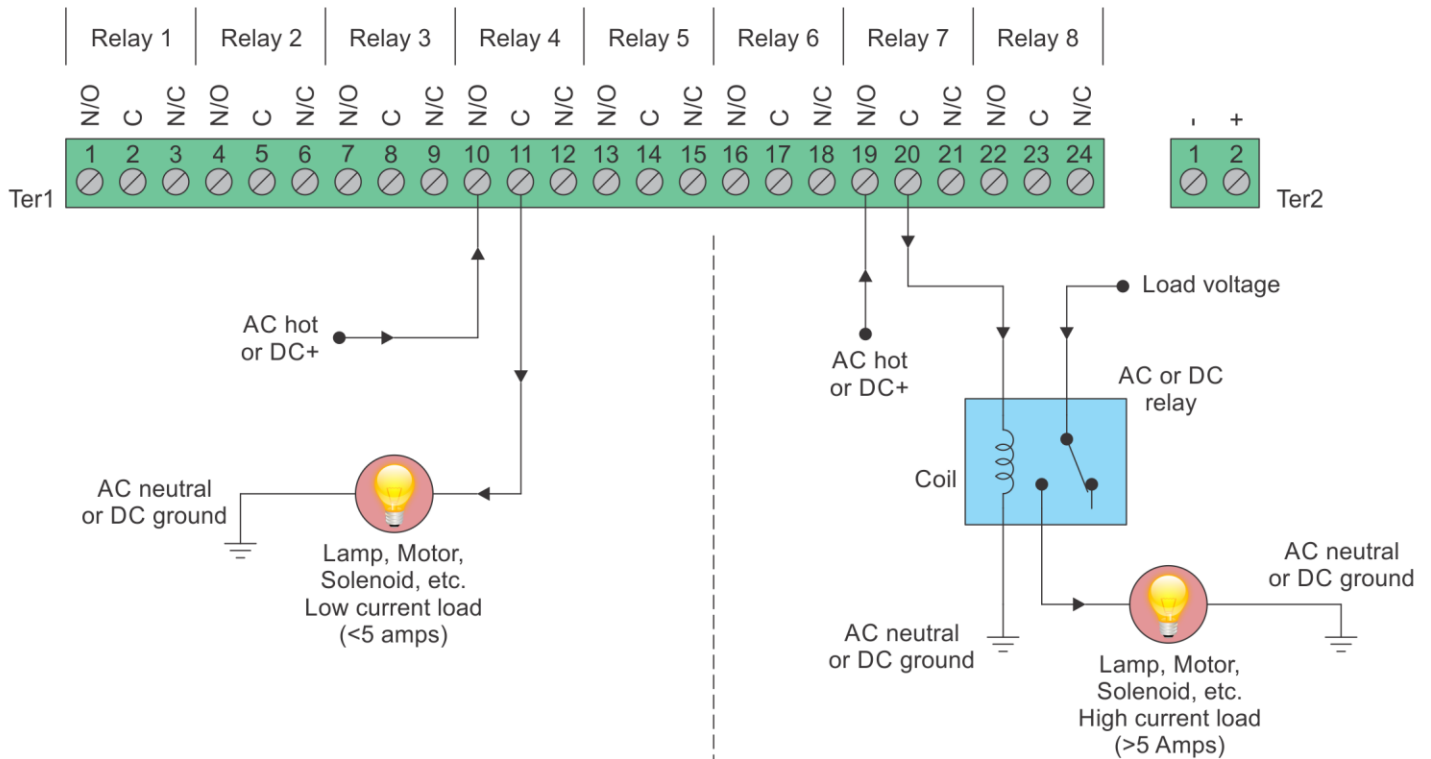


RELAY OUTPUT WIRING 8-Relay Receiver

Receiver outputs are dry relay contacts, like an SPDT switch. When the relay is in a de-energized state, the N/C (normally closed) contact is connected to C (common). When the relay is energized the N/O (normally open) contact is connected to C (common).



Normally Open Application with Externally Supplied Voltage



Internal Relay - Loads Less Than 5 Amps

Loads up to 5 Amps may be wired directly to the internal relays. Wiring to the N/O contact will cause the load to turn on when the relay is energized (the load is on when the relay is on). Wiring to the N/C contact will cause the load to turn on when the relay is de-energized (the load is on when the relay is off). AC or DC voltages can be switched through the relay.

External Relay - Loads Over 5 Amps

Loads over 5 Amps must use an external high current relay. Diagram shows how to turn on the relay using the lower current internal relay of the receiver. AC or DC voltages can be switched through the relay. Note: A protection diode for DC coils or an MOV for AC coils is recommended to reduce inductive EMI noise.

Wiring configurations shown here are examples. The wiring for your application may differ.
Call BWI Eagle for assistance or consult an electrician.