

PRODUCT INFORMATION BULLETIN

AIR-EAGLE® XLT PLUS 900MHz RF Receiver MODEL 461-20800-DC

DESCRIPTION

The AIR-EAGLE XLT PLUS is an RF system designed for long range wireless remote control of electrical apparatus in a variety of industrial applications. Systems can consist of any number of transmitters and receivers working together. This receiver is equipped with 8 independent relays that can switch 5 amps @ 120VAC or 30VDC and can be directly interfaced with the customer's equipment or P.L.C. Eight user selectable frequencies allow multiple systems to be used in the same area. The Air-Eagle XLT Plus can receive remote signals transmitted from up to 5000 feet away (with a handheld transmitter) or up to 10 miles away (with a stationary transmitter and external antennas)..

SERIES FEATURE

The "461" series features built-in repeating capability. Each receiver accepts and performs commands from the transmitter then repeats the commands to any other receiver within its range. When using multiple receivers this increases range and reliability because if there is a receiver that the transmitter can't quite reach but is within range of another receiver that HAS gotten the signal, it will still get its command from that receiver.

INSTALLATION

DISCONNECT DC Power from all equipment before installation.

1. Mount the AIR-EAGLE XLT PLUS RECEIVER in a convenient location.
2. Install relay wiring to terminal strip.
3. Install antenna onto antenna connector located on the right side on the enclosure.
4. Connect supplied power input cable to your external power source.

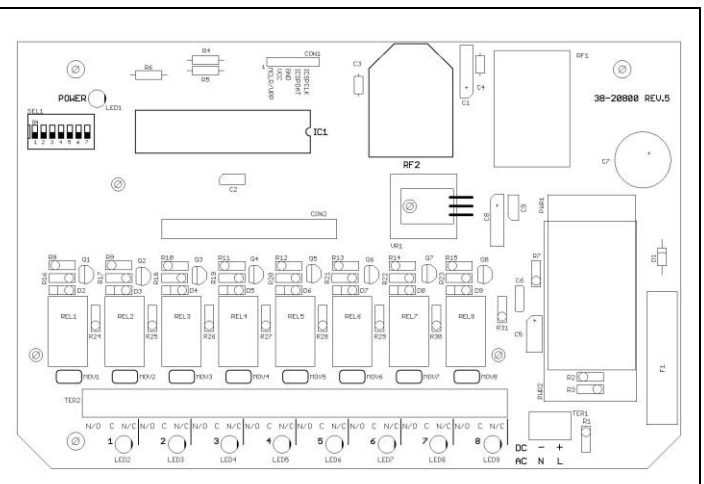
TERMINAL STRIP WIRING

1	N/O Relay #1	10	N/O Relay #4	19	N/O Relay #7
2	C Relay #1	11	C Relay #4	20	C Relay #7
3	N/C Relay #1	12	N/C Relay #4	21	N/C Relay #7
4	N/O Relay #2	13	N/O Relay #5	22	N/O Relay #8
5	C Relay #2	14	C Relay #5	23	C Relay #8
6	N/C Relay #2	15	N/C Relay #5	24	N/C Relay #8
7	N/O Relay #3	16	N/O Relay #6		
8	C Relay #3	17	C Relay #6		
9	N/C Relay #3	18	N/C Relay #6		

DC POWER INPUT	
Terminal #1	Negative (-) 9-36VDC INPUT
Terminal #2	Positive (+) 9-36VDC INPUT



CONTROLS & INDICATORS



POWER LED (LED1)	Dual color LED. Illuminates red while receiver is booting up; changes to green when boot-up is successful and unit is ready to operate. If this LED fails to turn green, power unit off for 15-20 seconds, then reapply power.
RELAY LEDs	Illuminated green while relay is energized
DIP SWITCHES (SEL1)	Switches used to set user-selectable options and/or network frequency
EEPROM CHIP (IC1)	Socket mounted integrated circuit that holds unit's program
RF MODULE (RF2)	RF Module that sends/receives data from our transmitters/receivers

AIR-EAGLE® XLT PLUS

900MHz RF Receiver

MODEL 461-20800-DC

OPTIONS & FREQUENCY SET-UP

This unit is shipped from the factory with the SEL1 switches in the open positions. If you wish to change the default settings, follow the instructions on the table below.

- 1) Remove power from unit and remove top cover.
- 2) Select desired relay operation and/or network frequency using table below.
- 3) Reattach cover and apply power. Programming is now complete.

UNIT CONFIGURATION

SEL1 SWITCH NUMBER	OPEN	CLOSED
SW1	Relays #1 thru #8 maintained momentary (default)	Relays #1 thru #8 toggle/latch
Maintained Momentary – Relay mimics button or input – when depressed or closed, relay will be energized; when released, relay de-energizes Toggle Latch – Relay changes (and holds) its state each time the corresponding button or input is depressed or closed.		
SW2	Not used on this model	
SW3	Vibrating Feedback OFF (default)	Vibrating Feedback ON
SW4	Relays respond to channel 1 thru 8 commands (default)	Relays respond to channel 9 thru 16 commands

FREQUENCY SET-UP

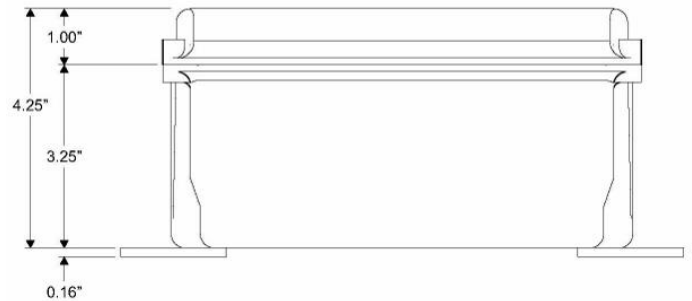
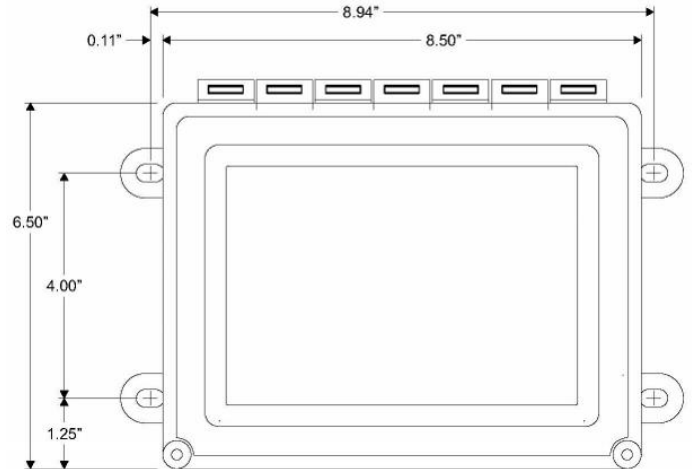
SEL1 (SW5-7)	Network Frequency	SW5	SW6	SW7
	1 (default)	OPEN	OPEN	OPEN
	2	CLOSED	OPEN	OPEN
	3	OPEN	CLOSED	OPEN
	4	CLOSED	CLOSED	OPEN
	5	OPEN	OPEN	CLOSED
	6	CLOSED	OPEN	CLOSED
	7	OPEN	CLOSED	CLOSED
	8	CLOSED	CLOSED	CLOSED

GENERAL OPERATION

Relays #1 thru #8 energize or de-energize based on specific commands from a handheld or contact input transmitter.

BUTTON OR INPUT ACTIVATED	RELAY OPERATION
"1"	Relay #1 energizes, maintained momentary
"2"	Relay #2 energizes, maintained momentary
"3"	Relay #3 energizes, maintained momentary
"4"	Relay #4 energizes, maintained momentary
"5"	Relay #5 energizes, maintained momentary
"6"	Relay #6 energizes, maintained momentary
"7"	Relay #7 energizes, maintained momentary
"8"	Relay #8 energizes, maintained momentary

DIMENSIONS



APPROVALS

United States (FCC)	OUR-9XTEND
Canada (IC)	4214A-9XTEND

SPECIFICATIONS

DC Input	9 - 36 VDC @ 10 Watts
Fuse Protected	2 amp
Relay Contacts	SPDT 5 amp @ 120VAC or 30VDC
Receiver Range	Up to 1 Mile with Rubber Duck Antenna / Up to 10 Miles with External Antenna
<small>Note: Max range figures are estimates, based on free-air terrain with limited sources of interference. Actual range will vary based on transmitting power, orientation of transmitter and receiver, height of transmitting antenna, height of receiving antenna, weather conditions, interference sources in the area, and terrain between receiver and transmitter, including, but not limited to, indoor and outdoor structures such as walls, metal objects, trees, buildings, hills, and mountains</small>	
Receiver Frequency	900 MHz Spread Spectrum
RF Networks	Eight Independent Network Frequencies
Enclosure	Hinged fiberglass with window / NEMA 3, 3R, 4, 12, 13
Operating Temp	-40° F to +185° F

AIR-EAGLE® XLT PLUS

900MHz RF Receiver

MODEL 461-20800-DC

ACCESSORIES

Standard Antenna (Included):	
900MHz TNC "Rubber Duck" Antenna	49-1103
Mobile/Base Antennas – Used to help achieve max range in both non line of sight and line of sight applications. - Contact BWI Eagle for recommendations	
900MHz Thru-Hole Mount Mobile Antenna	49-2101
900MHz Magnet Mount Mobile Antenna	49-2102
900MHz Omni Directional Base Antenna	49-3101
900MHz Yagi Directional Base Antenna	49-3102
High Quality Coax Cables – Used to connect external high gain antennas to control unit	
Flex Coax Cable w/Connectors – Available in 5',15',25',30',40',60',80',100' Lengths	49-4000-XX (XX = # of Feet)
Bulkhead Extensions – Used to provide an external antenna connection when mounting control unit inside another enclosure	
TNC Male to TNC Bulkhead Cable Assembly - Available in 2', 4', 7' Lengths	49-5004-X-ISO (X = # of Feet)

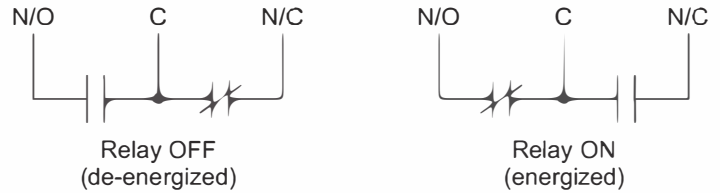
LIMITED WARRANTY STATEMENT

BWI Eagle Inc. warrants the Air-Eagle XLT Remote Control System, if properly used and installed, will be free from defects in material and workmanship for a period of 1 year after date of purchase. Said warranty to include the repair or replacement of defective equipment. This warranty does not cover damage due to external causes, including accident, problems with electrical power, usage not in accordance with product instructions, misuse, neglect, alteration, repair, improper installation, or improper testing. This limited warranty, and any implied warranties that may exist under state law, apply only to the original purchaser of the equipment, and last only for as long as such purchaser continues to own the equipment. This warranty replaces all other warranties, express or implied including, but not limited to, the implied warranties or merchantability and fitness for a particular purpose. BWI Eagle makes no express warranties beyond those stated here. BWI disclaims without limitation, implied warranties of merchantability and fitness for a particular purpose. Some jurisdictions do not allow the exclusion of implied warranties so this limitation may not apply to you. To obtain warranty service, contact BWI Eagle for a return material authorization. When returning equipment to BWI Eagle, the customer assumes the risk of damage or loss during shipping and is responsible for the shipping costs incurred.

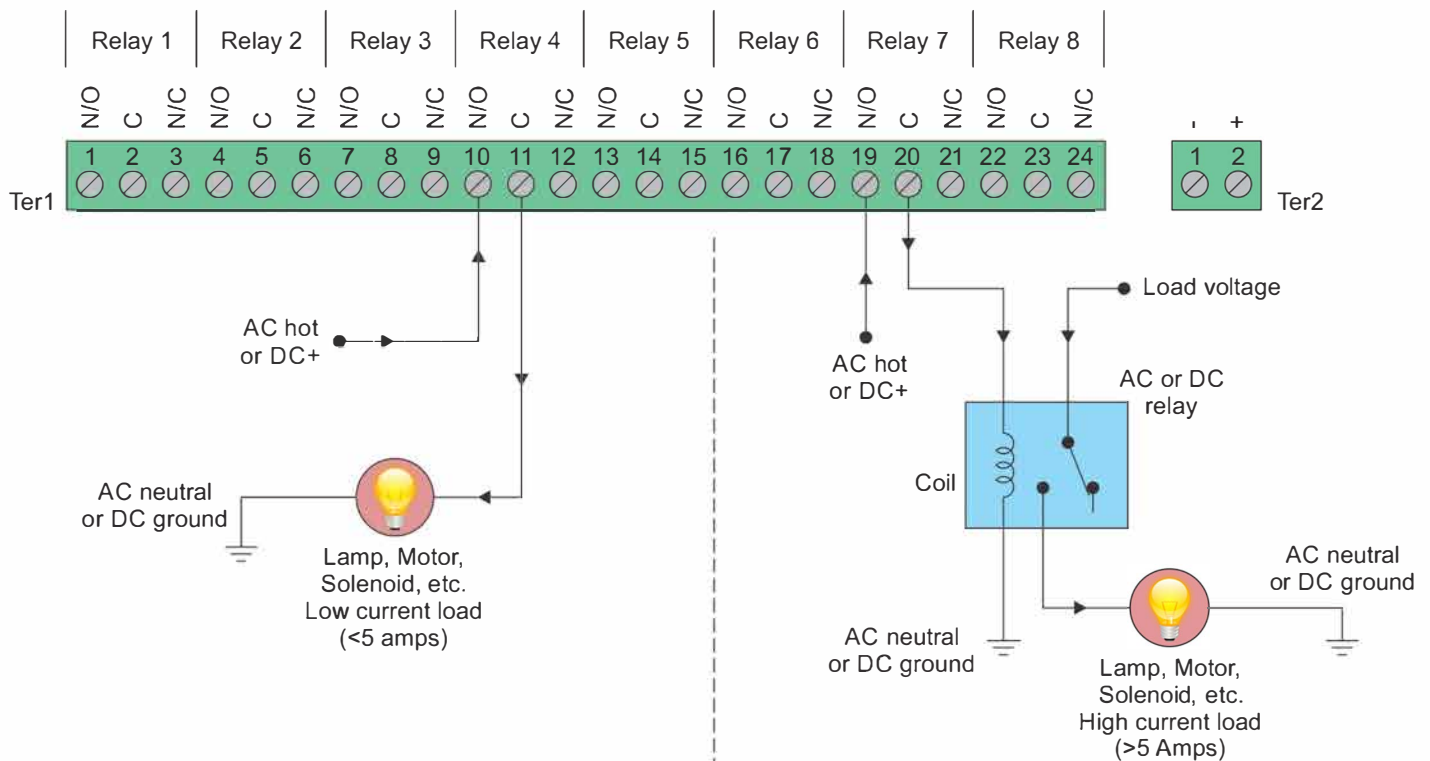


RELAY OUTPUT WIRING 8-Relay Receiver

Receiver outputs are dry relay contacts, like an SPDT switch. When the relay is in a de-energized state, the N/C (normally closed) contact is connected to C (common). When the relay is energized the N/O (normally open) contact is connected to C (common).



Normally Open Application with Externally Supplied Voltage



Internal Relay - Loads Less Than 5 Amps

Loads up to 5 Amps may be wired directly to the internal relays. Wiring to the N/O contact will cause the load to turn on when the relay is energized (the load is on when the relay is on). Wiring to the N/C contact will cause the load to turn on when the relay is de-energized (the load is on when the relay is off). AC or DC voltages can be switched through the relay.

External Relay - Loads Over 5 Amps

Loads over 5 Amps must use an external high current relay. Diagram shows how to turn on the relay using the lower current internal relay of the receiver. AC or DC voltages can be switched through the relay. Note: A protection diode for DC coils or an MOV for AC coils is recommended to reduce inductive EMI noise.

Wiring configurations shown here are examples. The wiring for your application may differ.
Call BWI Eagle for assistance or consult an electrician.