

## RESTAURANT RANGES

**VULCAN****36" ELECTRIC RESTAURANT RANGE  
36" GRIDDLE**

**Model EV36-S-36G-208**  
shown with optional casters

**SPECIFICATIONS**

36" wide electric restaurant range, Vulcan Model No. EV36-S-36G-208. Fully MIG welded aluminized steel frame for added durability. Stainless steel front, sides, back riser, plate shelf and 6" adjustable legs. 36" wide, 7/8" thick griddle plate. One thermostat provided for each 12" griddle width. Full width pull out crumb tray located beneath the cooking top. Comes with one standard oversized oven. Oven interior measures 26½"w x 26¾"d x 14"h. Comes with one oven rack and three rack positions. Oven door is heavy duty with an integrated door hinge / spring mechanism, requiring no adjustments. Top browning heat control. Thermostat adjusts from 200°F to 500°F. Oven controls are protected from heat in an insulated side compartment. Requires 208, 240 or 480 volt, 1 or 3 phase power supply. All ranges shipped in 3 phase and are field convertible to single phase.

**Exterior Dimensions:**

34¾"d x 36"w x 58"h on 6" adjustable legs

- EV36-S-36G-208** 36" Griddle / Standard Oversized Oven / 208V
- EV36-S-36G-240** 36" Griddle / Standard Oversized Oven / 240V
- EV36-S-36G-480** 36" Griddle / Standard Oversized Oven / 480V

**STANDARD FEATURES**

- Fully MIG welded aluminized steel frame for added durability
- Stainless steel front, sides, back riser, shelf and legs
- Full width pull out crumb tray
- 36" wide, 7/8" thick griddle plate, one thermostat provided for every 12" griddle width
- 5 kW oven with top browning control
- Thermostat adjusts from 200°F to 500°F
- Cool to the touch control knobs and oven handle
- One oven rack and three rack positions
- 18" x 26" sheet pans fit side to side and front to back
- Requires 208, 240 or 480 volt, 1 or 3 phase power supply. (Ranges shipped in 3 phase and are field convertible to single phase)
- One year limited parts and labor warranty

**ACCESSORIES** (Packaged & Sold Separately)

- Extra oven rack with two rack guides
- Set of four casters (two locking)
- 10" stainless steel stub back
- ESB36 salamander broiler
- Reinforced high shelf for ESB36 salamander broiler



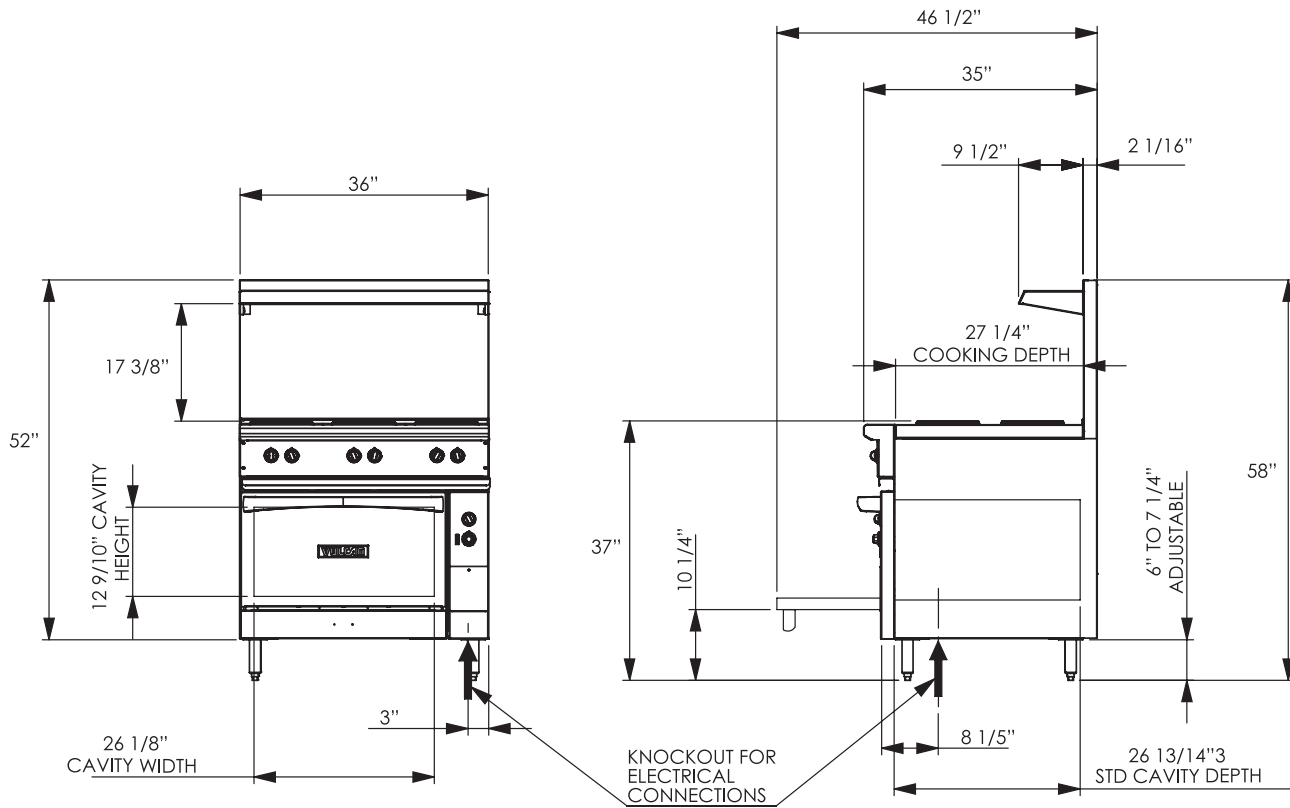
# 36" ELECTRIC RESTAURANT RANGE 36" GRIDDLE

## INSTALLATION INSTRUCTIONS

Clearances from Combustible Construction	Rear	Sides
Range Only	0"	0"
Range and ESB Salamander Broiler	2"	8"

Ranges incorporating hot top sections are 0 inches sides and 0 inches rear to non-combustibles and 6 inches sides and 6 inches rear to combustible constructions.

**Clearance Note:** Electric Ranges are 0 inches, sides and 0 inches rear from combustible and non-combustible constructions except when hot top sections are incorporated.



AVAILABLE VOLTAGES - 208, 240 OR 408 VOLT - 1 OR 3 PHASE																
3 PHASE LOADING					NOMINAL AMPS PER LINE WIRE											
MODEL NUMBER	TOTAL CONNECTING KW	KW PER PHASE			3 PHASE									1 PHASE		
					208 VOLT			240 VOLT			480 VOLT					
		X-Y	Y-Z	X-Z	X	Y	Z	X	Y	Z	X	Y	Z	208V	240V	480V
EV36-S-36G-208	15.2	3.4	6.8	5.0	35.0	42.5	49.1	--	--	--	--	--	--	73.1	--	--
EV36-S-36G-240	15.2	3.4	6.8	5.0	--	--	--	30.3	36.8	42.6	--	--	--	--	63.3	--
EV36-S-36G-480	15.2	3.4	6.8	5.0	--	--	--	--	--	--	15.15	18.4	21.3	--	--	31.7