

## 135° STERN LIGHT, DOUBLE, VERTICALLY MOUNTED

2 nautical miles	301-006ST (<50m / <164')
3 nautical miles	301-106ST (>50m / >164')

This LED navigation light consists of two individual lights, each with a single high-power LED that produces light in the specified angle utilizing special designed PMMA light guides. Each light can be activated separately.

The precision machined 6082 aluminium housing with an anodized surface makes the light a rugged and durable housing for the LEDs and electronics contained within.

The interior is completely filled with a special potting resin making it water- and vibration proof.

Produced in our in-house manufacturing facility to meet and exceed exacting standards such as EN14744 and UL1104, under a quality management system continuously surveyed by Lloyds Register Quality Assurance.

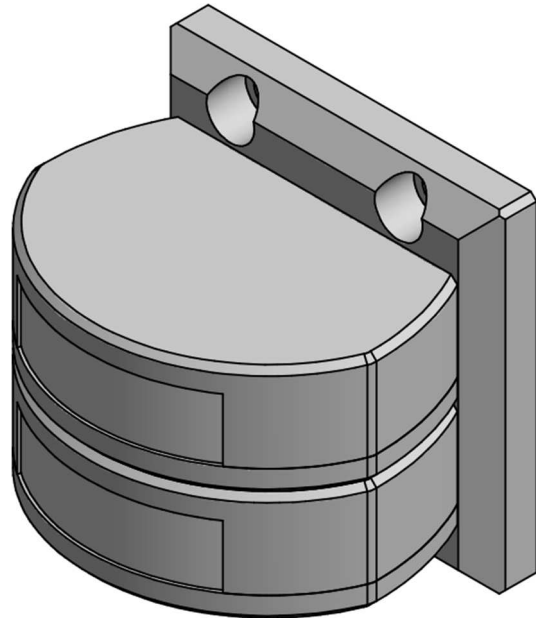
Each light is subjected to final testing for a minimum of 16 hours of continuous operation bringing the total test time beyond 24 hours.

This navigation light is in compliance with the following standards:

- COLREG72
- EN14744
- IEC 60945
- USCG (UL1104)

Together with an appropriate Control & Monitoring System, such as Lopolight's own NLC\* this navigation light can form part of an IMO MSC 253(83), LY3 and LY4 compliant system.

\*) information found here: [www.lopolight.com/NlcPanel](http://www.lopolight.com/NlcPanel)



Technical specifications**301-006ST;**

Vessel size: &lt;50m (&lt;164')

Visibility: &gt;2 nautical miles

Intensity: &gt;5,4cd

Power consumption: 1,32 Watt; Current: 0,11A @12 VDC - 0,05A @24 VDC

**301-106ST;**

Vessel size: &gt;50m (&gt;164')

Visibility: &gt;3 nautical miles

Intensity: &gt;15cd

Power consumption: 2,52 Watt; Current: 0,21A @12 VDC - 0,1A @24 VDC

Operating voltage: 10 - 32 VDC

Number of LEDs: 1 / 1

Light colour: **White**

Operating temperature: -25°C to +55°C

IP rating: **IP68**Mounting: **Vertical**Connection: 2 cables consisting of 2 x 0,5 mm<sup>2</sup> leads, a screen and insulation.

- Red lead = Power
- Black lead = GND

Certification: **Pending**

The product is in compliance with the following standard(s):

**COLREG72/ EN14744 / IEC 60945 / USCG (UL1104)**Dimensions: **See drawing**Weight: **1kg**Warranty:

Lopolight products are covered by a 5-year limited warranty.

Warranty conditions can be found on [www.lopolight.com/Home/Service](http://www.lopolight.com/Home/Service)Included in package:

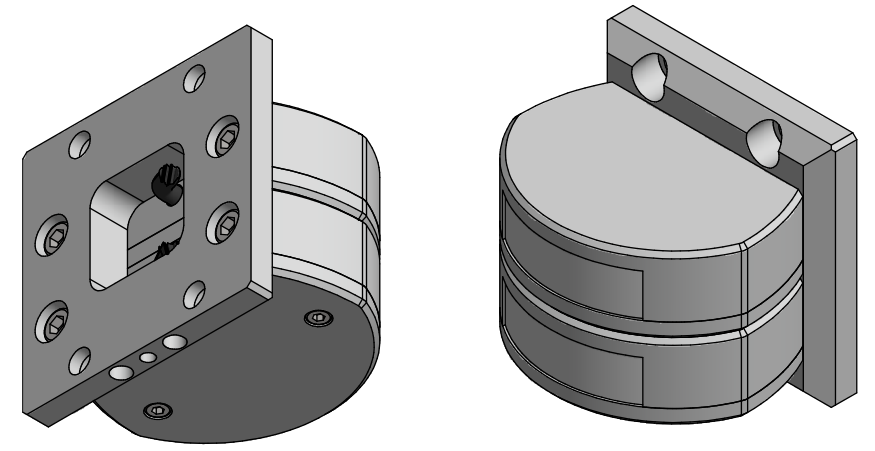
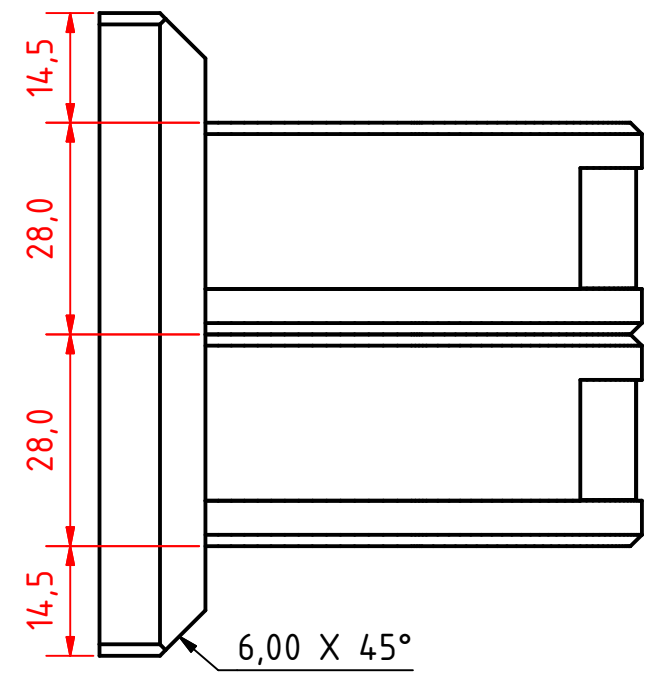
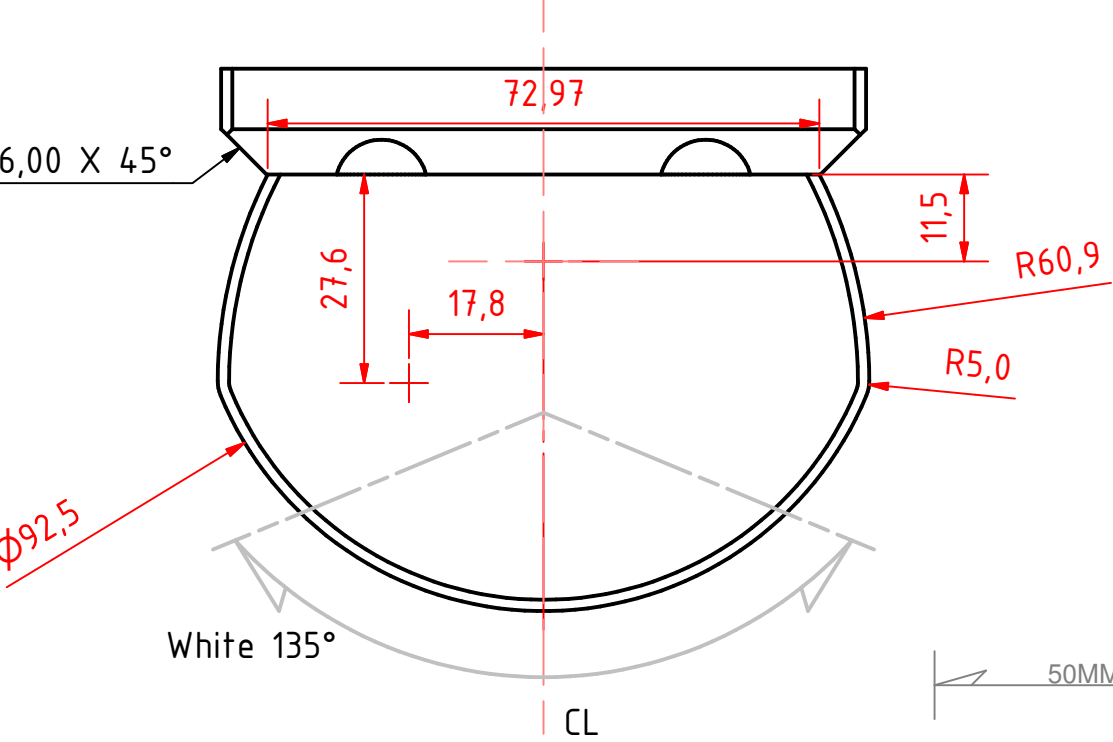
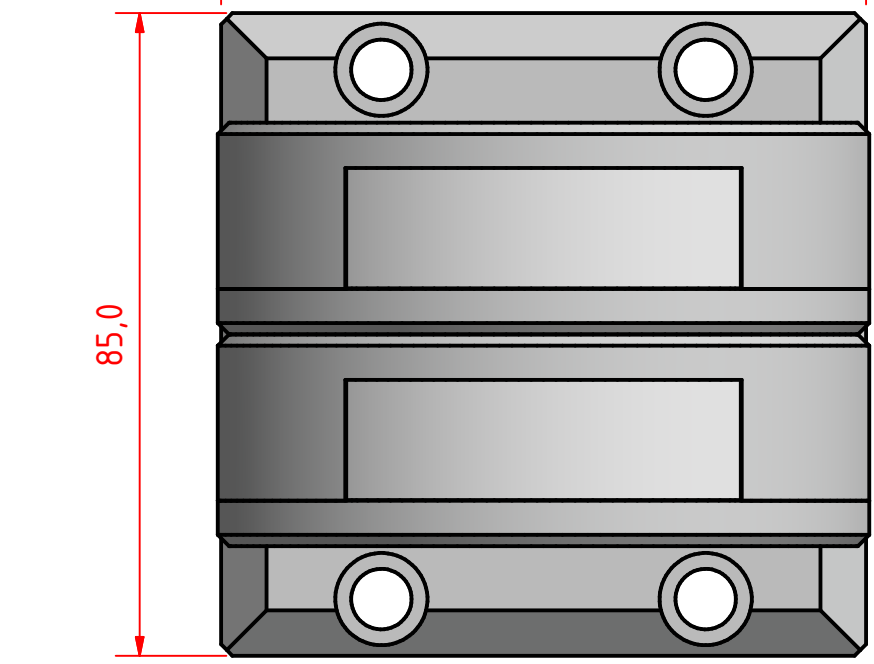
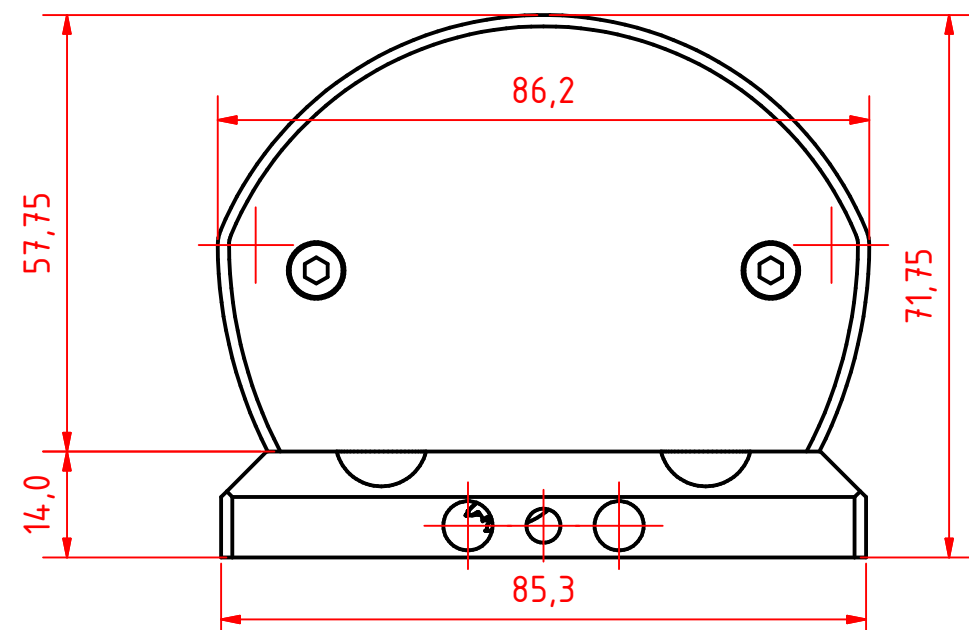
- 1 pc. Navigation light, pre-cabled with 2,5m marine grade cable
- 2 pcs. Mounting screws (M6 x 8 mm)
- Installation instructions

## Ordering information

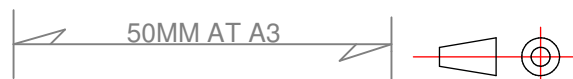
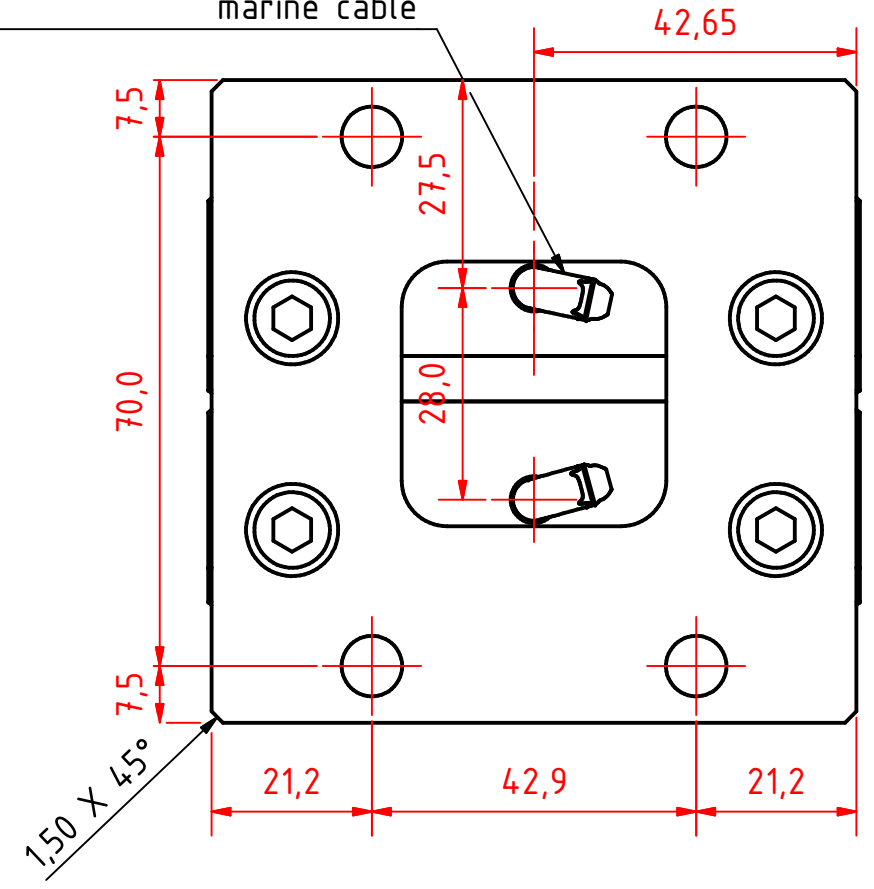
VISIBILITY	CABLE LENGTH	PART NUMBER SILVER FINISH	PART NUMBER BLACK FINISH
2 nautical miles	2,5m / 8.2' (standard)	301-006ST	301-006ST-B
	6m / 19.7'	301-006ST 6M	301-006ST-B 6M
3 nautical miles	2,5m / 8.2' (standard)	301-106ST	301-106ST-B
	6m / 19.7'	301-106ST 6M	301-106ST-B 6M

A B C D E F G H I J

1  
2  
3  
4  
5  
6  
7  
8



Pre-wired Cable Exit  $\varnothing 5,5\text{mm}$  shielded marine cable



<b>301-006ST 2nm double stern light Vertical Mount on a 902-015 mounting plate</b>			
DRAWING NO.: <b>301-006AB</b>	REV. NO.: <b>0</b>	SIZE: <b>A3</b>	DRAWN BY: <b>Sergio</b>
SCALE: <b>1:1</b>	TOLERANCES: <b>DS/ISO 2768-f</b>	REVIEWED BY: <b>PHC</b>	CREATION DATE: <b>03-05-2018</b>
MATERIAL DESCRIPTION: <b>EN 6082, Acrylic</b>			
<small>(20µ) Silver anodized according to EN ISO 7599 (50µ) Black anodized according to MIL-A 8625F</small>			
<small>This Drawing, and the information within, is the property of Lopolight ApS and may not be used in any form without express permission there from. Lopolight reserves the right to change this drawing and assumes no liability for the information communicated herein. Use of dimensions and other information in this drawing is at the users own risk.</small>			

**LOPOLIGHT**  
 Lopolight ApS  
 Bakkegaardsvej 513  
 DK-3050, Humlebaek  
 Denmark  
 www.lopolight.com  
 Tel:(+45) 32 48 50 30 Fax:(+45) 32 48 50 32  
 info@lopolight.com