

Tru-Temp Two Way Diverter Valve

Model #3005-RIVD-BN, 3005-RIVD-CH, 3005-RIVD-MB, 3005-RIVD-ORB

PW-93005-64TRBRN, PW-93005-64TRCP, PW-93005-64TRBM, PW-93005-64TRBRZ

Owner's Manual



Tru-Temp Two Way Diverter Valve

Please Read The Following Instructions COMPLETELY Before Beginning!

Our goal is to ensure your installation goes smoothly and safely. Please read these instructions carefully and follow recommendations for plumbing and mounting. After reading instructions, if you determine you do not have the necessary skills and/or tools, we recommend that a licensed plumbing contractor complete the installation.

You Will Need The Following Tools

Soft pencil or felt pen to mark tile

Allen wrench

Safety glasses

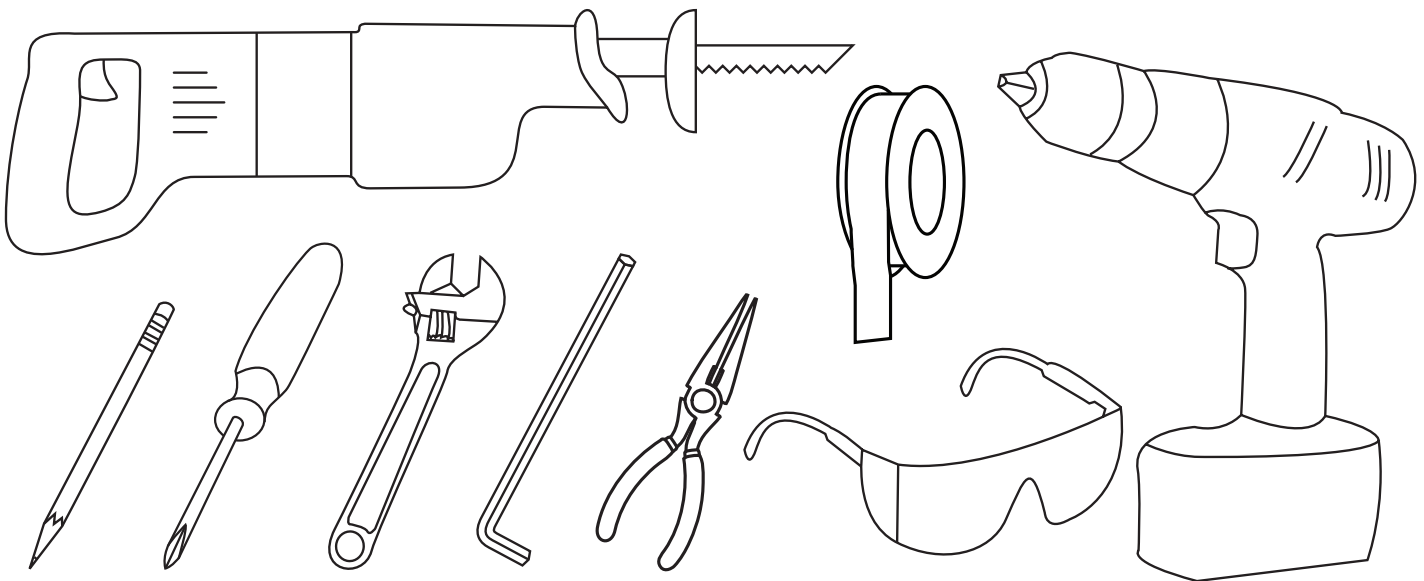
Phillips screwdriver

Reciprocating saw w/metal cutting blade (Sawzall®)

Channel locks or adjustable wrench

Drill (Preferably cordless)

Plumber's Tape

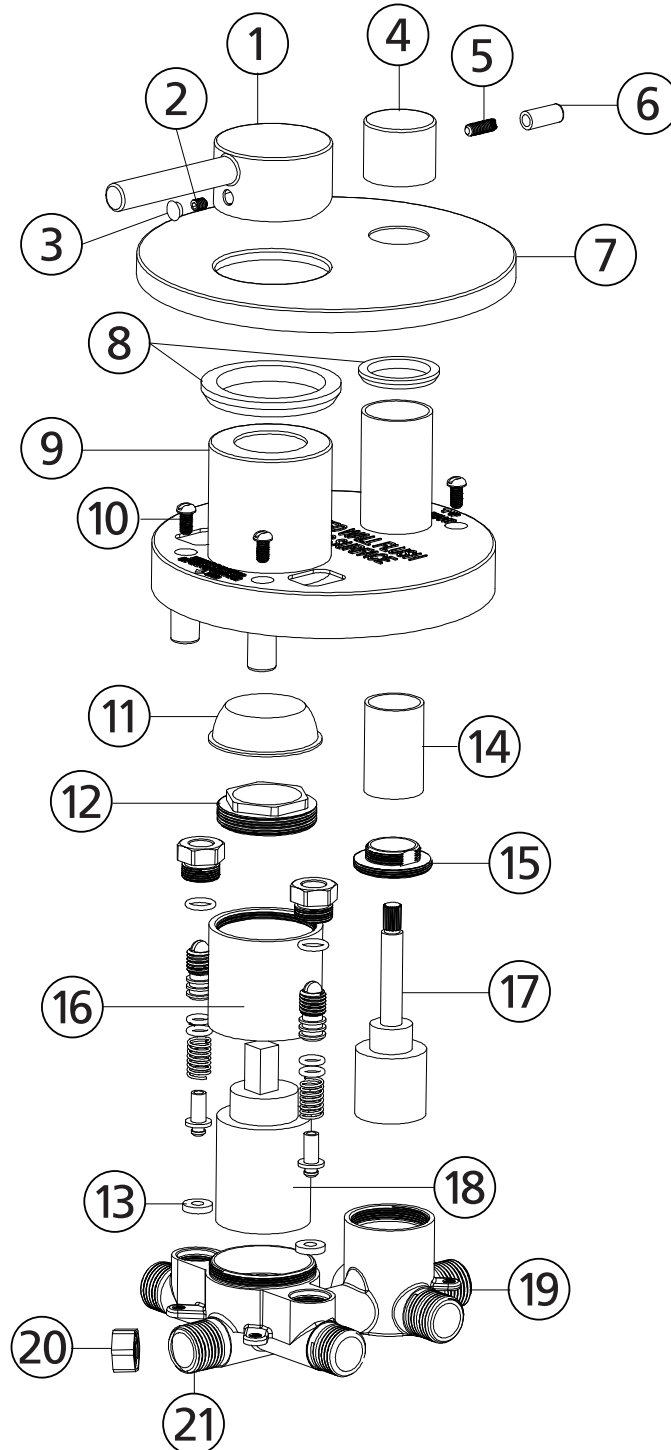


Parts Legend

- 1. Valve Handle
- 2. Set Screw
- 3. Cover
- 4. Diverter Body
- 5. Diverter Threaded Pin
- 6. Diverter Handle
- 7. Trim Plate

- 8. O-ring.....(2)
- 9. Plaster Guard
- 10. Screw.....(4)
- 11. Trim Nut
- 12. Cartridge Cover Nut
- 13. Gasket
- 14. Diverter Trim Sleeve

- 15. Diverter Cap
- 16. Valve Trim Sleeve
- 17. Diverter Cartridge
- 18. Pressure Balance Valve Cartridge
- 19. Valve Body
- 20. Tub Spout Cap
- 21. Tub Spout Outlet

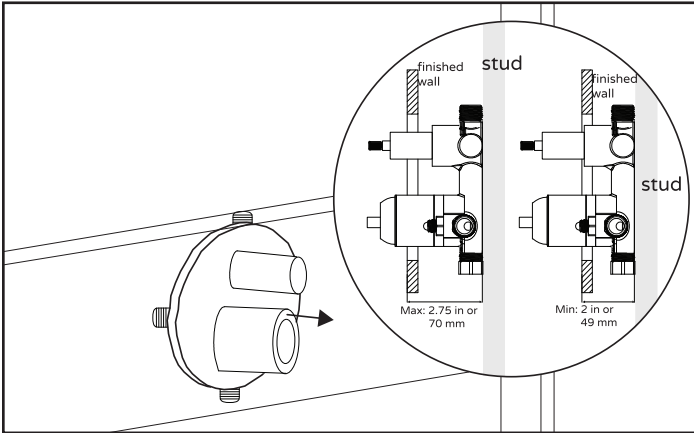


Installation Instructions

BEFORE YOU BEGIN

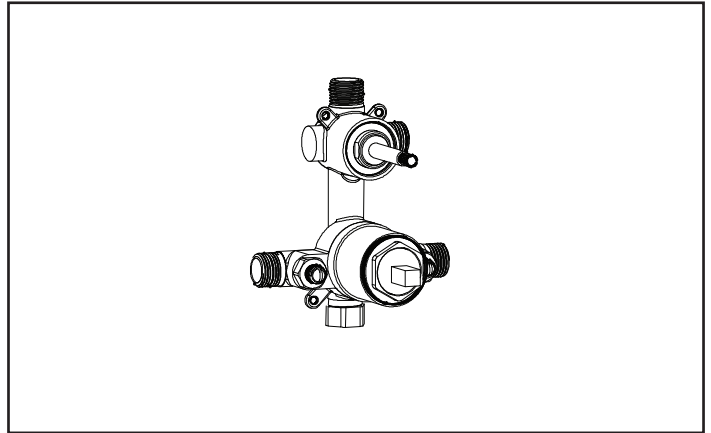
Measure the following to ensure your valve will fit properly.

1



Confirm the installation position and remove the plaster guard (9).

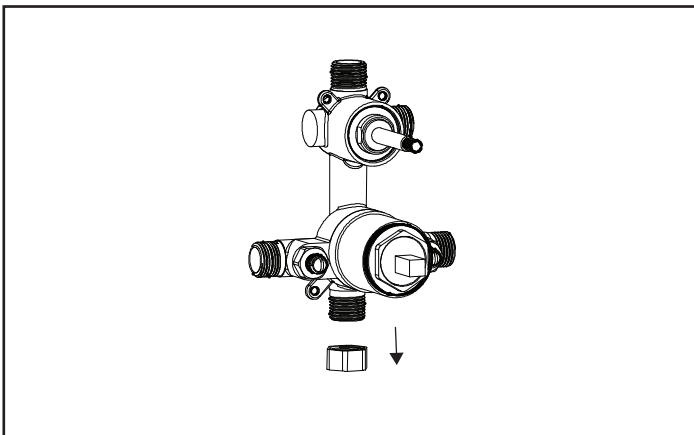
2b



If no tub, keep the tub spout cap (20). Apply plumbers tape on all joint threads needed.

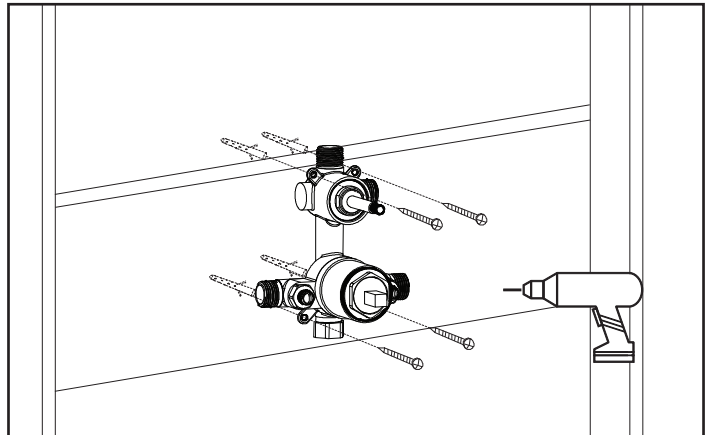
⚠ If welding, plumbers tape is not necessary.

2a



If there is a bath tub, remove the tub spout cap (20). Apply plumbers tape on all joint threads needed.

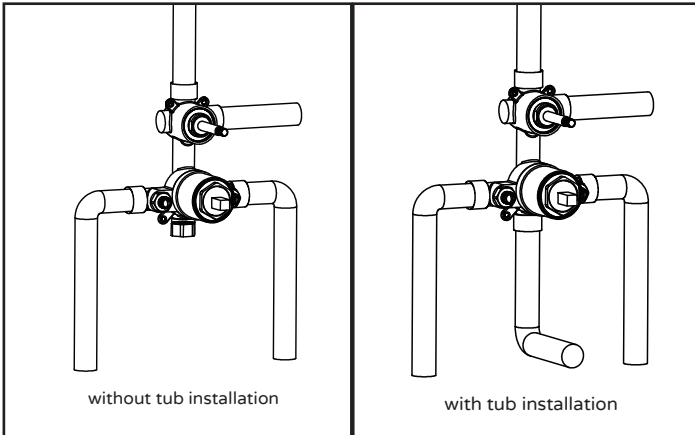
3



Drill screws to stud to fix main valve body.

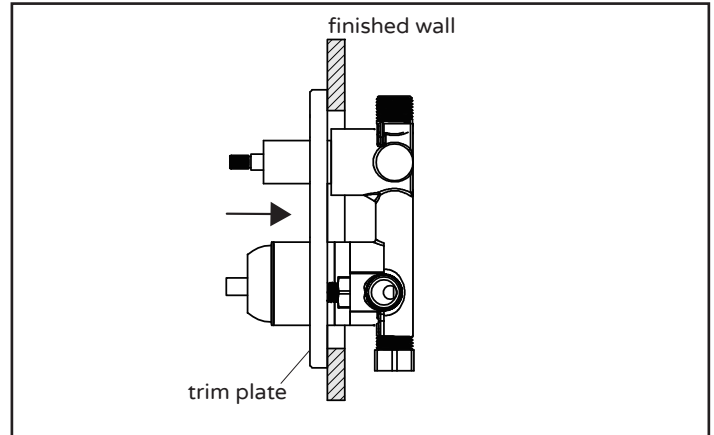
Installation Instructions

4



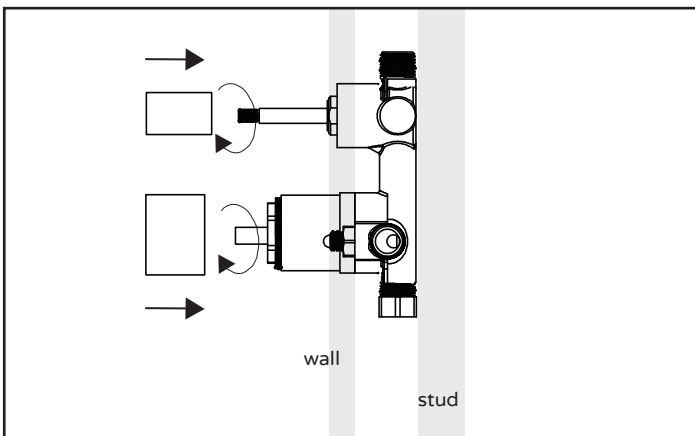
Connect the water and confirm there is no water leakage.

6



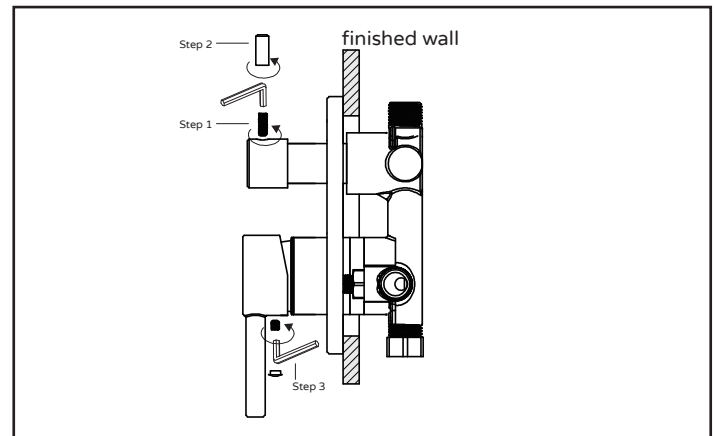
Install trim plate (7).

5



Install diverter trim sleeve (14) and valve trim sleeve (16). Screw in trim nut (11).

7



[Step 1] Insert allen wrench into diverter threaded pin and thread to diverter body (4). Place on top of diverter cartridge, and thread with allen wrench until secure.

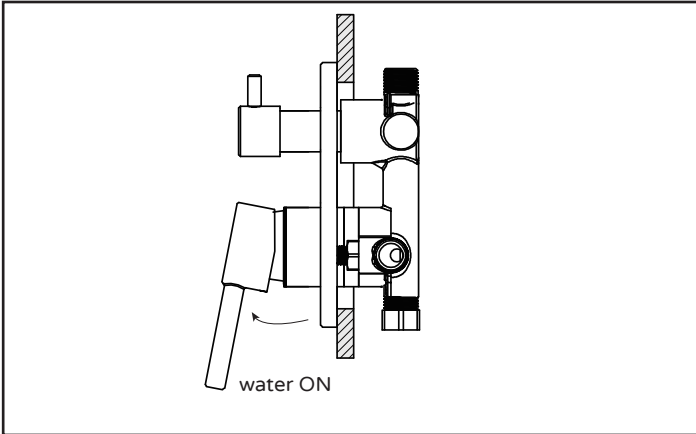
[Step 2] Thread diverter handle (6) onto diverter threaded pin (5).

[Step 3] Install valve handle and secure with set screw (2) using allen wrench. Place cover (3) over set screw (2).

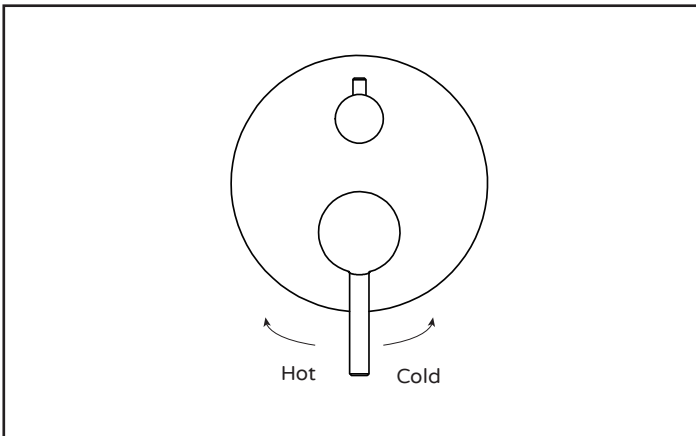
Installation Instructions

OPERATION:

VALVE FUNCTIONS:

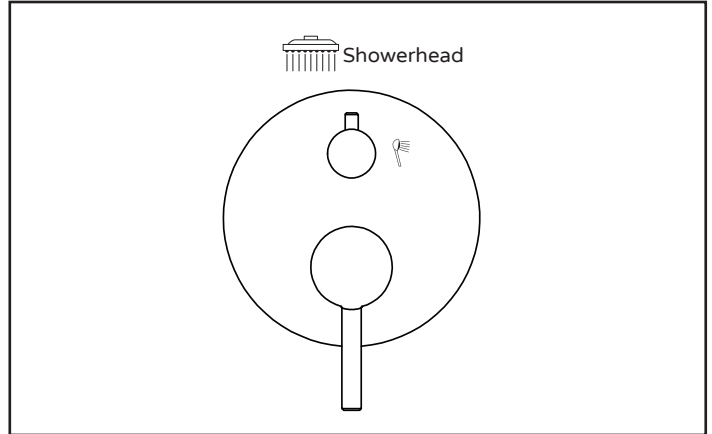


Turning valve ON, lift valve handle up.

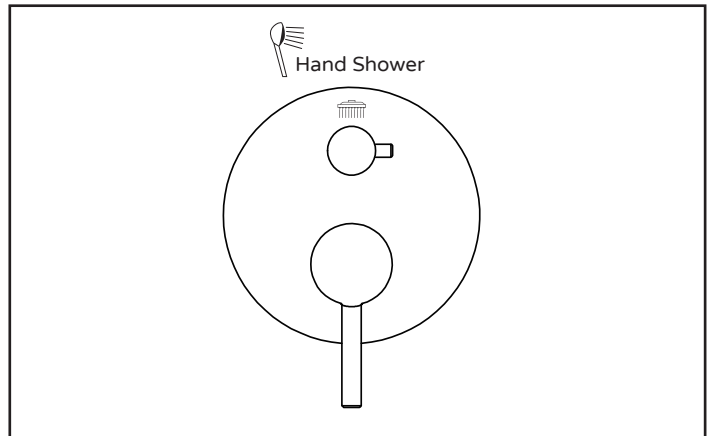


While ON, turn valve handle to the left for HOT and right for COLD.

DIVERTER FUNCTIONS:



Diverter handle facing up for showerhead.



Diverter handle facing to the right for hand shower.