

This vibration insensitive lens is designed to be used with large area and line scan sensors under harsh conditions as in many industrial applications. Very low chromatic aberrations plus low geometric distortion provide a very high image quality from edge to edge at a wide magnifications range. The V38-Mount fits to the modular Unifoc system with its large variety of accessories, including focusing mounts, extension tubes and camera adapters.

Key features

- Modular system
- Low distortion
- Low chromatic aberrations
- Large image circle

Applications

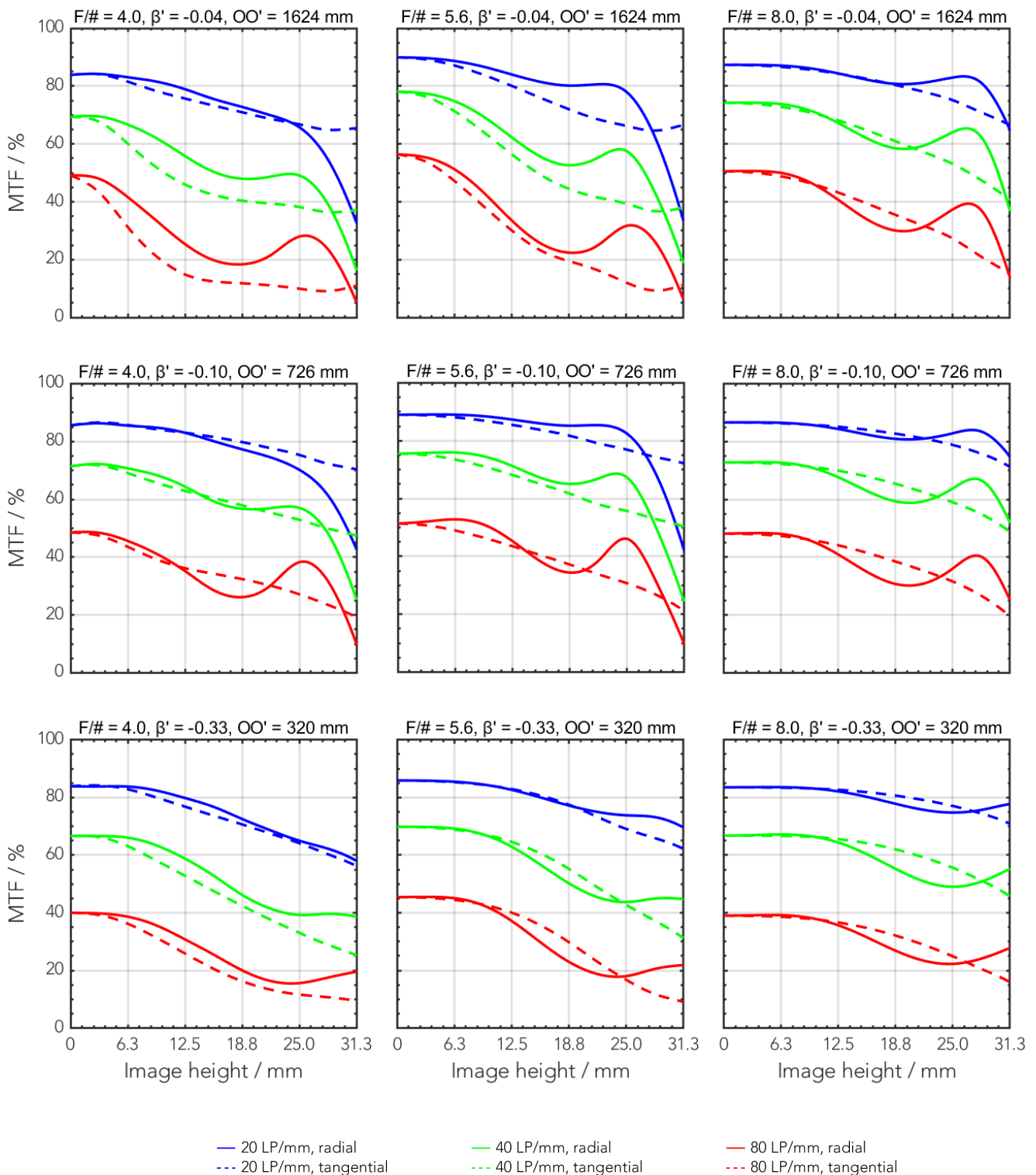
- Machine Vision
- AOI (Automated Optical Inspection)
- FPD/PCB inspection
- Logistics

Technical specifications

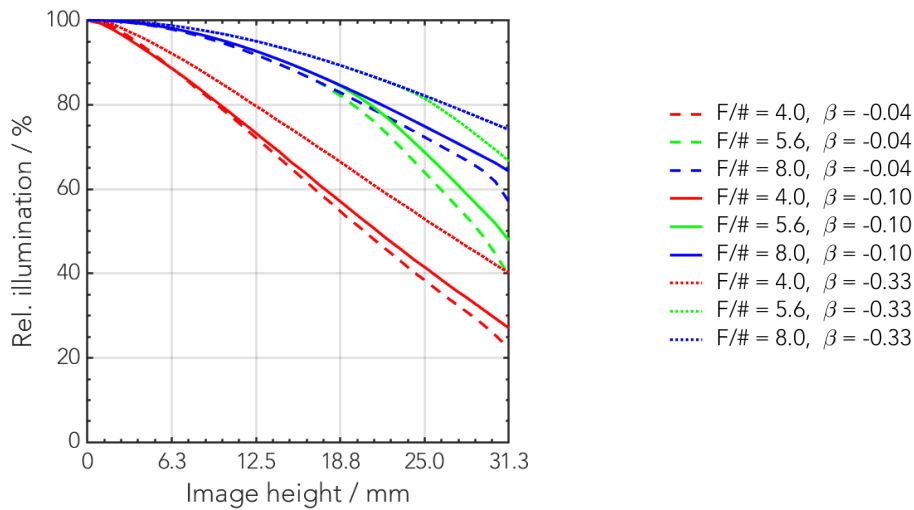
| | |
|-------------------------------------|--------------|
| Type [standard] | V38 |
| ID [standard] | 1097302 |
| Interface | V38-Mount |
| Focal length [mm] | 60 |
| F/# range | F/4 ... F/32 |
| Numerical aperture [object image] | - 0.12 |
| Max. sensor size [mm] | 62.5 |
| Max. angle of view [°] | 53 |
| Rec. magnification range | -0.5 ... 0 |
| Rec. working distance range [mm] | 156 ... ∞ |
| Max. mechanical focus travel [mm] | - |
| Filter thread [mm] | M37 x 0.75 |
| Storage temperature [°C] | -25 ... +70 |
| Net. weight [g] | 114 |
| Additional info | - |
| f'eff [mm] | 60.07 |
| SF [mm] | -47.23 |
| S'F' [mm] | 40.93 |
| HH' [mm] | -1.89 |
| β'P | 0.97 |
| SEP [mm] | 14.64 |
| S'AP [mm] | -17.39 |
| Σd [mm] | 30.09 |

MTF charts

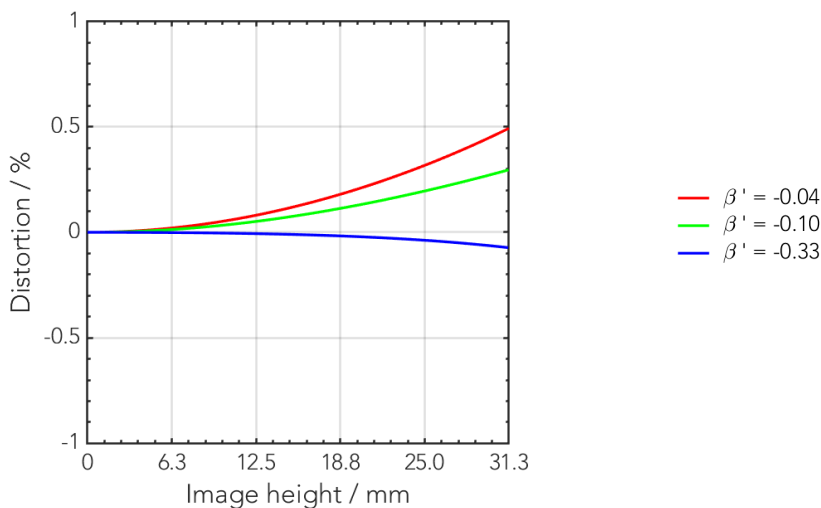
| Spectrum name | VIS | | | | | |
|------------------|-----|-----|-----|-----|-----|-----|
| Wavelengths [nm] | 425 | 475 | 525 | 575 | 625 | 675 |
| Rel. weights [%] | 8 | 16 | 23 | 22 | 19 | 13 |



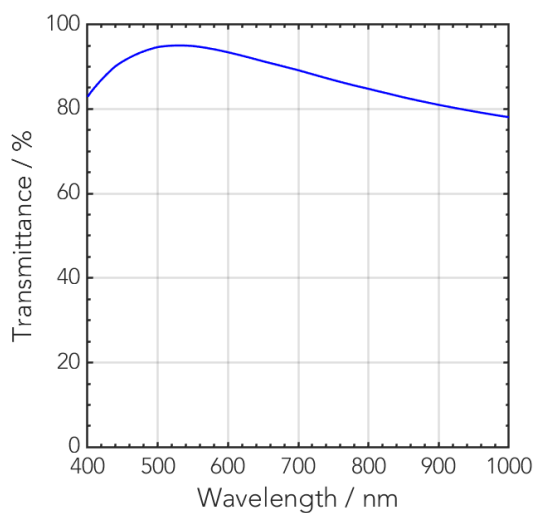
Rel. illumination vs. image height



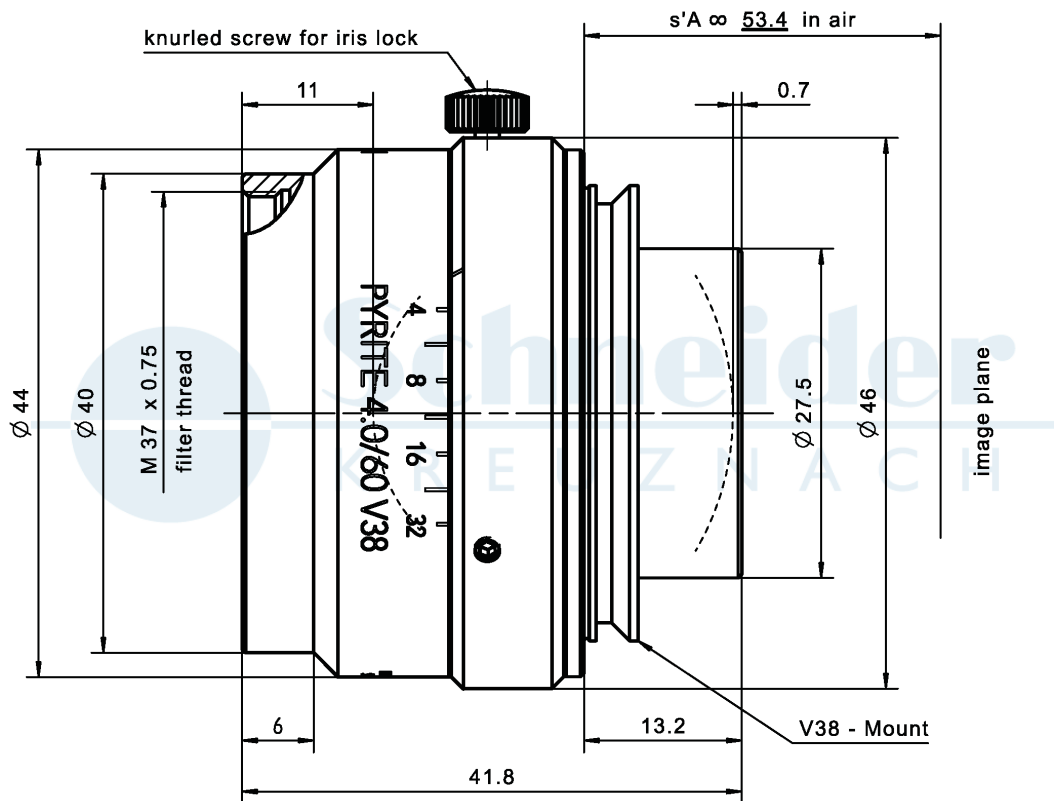
Distortion vs. image height



Transmittance vs. wavelength



Technical drawings



| Accessories | Mount | Eff. length | ID |
|----------------|------------------|----------------|---------|
| UNIFOC 12 | V38 / V38 | 17.4 – 29.4 mm | 11726 |
| UNIFOC 7 | V38 / V38 | 20 – 27 mm | 1001041 |
| UNIFOC 7 | V38 / M58 x 0.75 | 20 – 27 mm | 1054532 |
| UNIFOC 5 | V38 / C-Mount | 19.2 – 24.2 mm | 1011634 |
| Adapter | V38 / C-Mount | 6.5 mm | 20052 |
| | V38 / TFL-Mount | 6.5 mm | 1098491 |
| | V38 / Leica | 6.5 mm | 20054 |
| | V38 / M42 x 0.75 | 6.5 mm | 20053 |
| | V38 / M42 x 1 | 6.5 mm | 20059 |
| | V38 / M42 x 1 | 35 mm | 1001692 |
| | V38 / M58 x 0.75 | 10 mm | 1018385 |
| | V38 / F-Mount | 9.3 mm | 21610 |
| Extension tube | V38 / V38 | 6 mm | 20176 |
| | V38 / V38 | 8 mm | 20177 |
| | V38 / V38 | 10 mm | 20178 |
| | V38 / V38 | 25 mm | 20179 |
| | V38 / V38 | 50 mm | 20154 |
| | V38 / V38 | 75 mm | 20155 |

| Annotation | |
|------------------------------|-------------------------------------------------------------------------------------------------------------------------------------------------------------------|
| Focal length | Nominal focal length |
| F/# range | Image space F-number range for infinity focus position |
| Numerical aperture | Maximum real numerical aperture (depending on recommended magnification range either for infinity or respective fixed magnification) |
| Max. sensor size | Image circle diameter |
| Max. angle of view | Angle of view associated with maximum sensor size (depending on recommended magnification range either for infinity or respective fixed magnification) |
| Rec. magnification range | Magnification range as recommended by Schneider-Kreuznach |
| Rec. working distance range | Working distance, i.e. distance between object and first mechanical element, associated with recommended magnification range |
| Max. mechanical focus travel | Maximum possible movement of the lens from infinity position (depending on recommended magnification range either for infinity or respective fixed magnification) |
| Net weight | weight of unpacked lens without lens cap |
| f'_{eff} | Effective focal length |
| SF | Distance between vertex of first lens surface and object space focal point |
| S'F' | Distance between vertex of last lens surface and image space focal point (back focal distance at infinity) |
| HH' | Distance between principal planes |
| $\beta'P$ | Pupil magnification (= exit pupil diameter / entrance pupil diameter) |
| SEP | Distance between vertex of first lens surface and entrance pupil |
| S'AP | Distance between vertex of last lens surface and exit pupil |
| Σd | Distance between vertices of first and last lens surface |
| s'A | Flange focal distance (in air) for infinite object distance (depending on recommended magnification range either for infinity or respective fixed magnification) |
| β' | Magnification (= image size / object size), negative value because image is inverted |
| OO' | Distance between object and image |

Unless otherwise stated all dimensions in this data sheet are in mm.