

Optimized for working distances from 1m to infinity this compact and robust 1.2" C-Mount lens is the perfect choice for demanding long distance applications even in harsh environment. With the special broadband AR coating it can be used in the visible 400 to 700 nm and in the NIR 700 to 1000 nm range.

## Key features

- For sensors up to 1.2"
- Motorized iris (P-iris)
- Optimized for WD 1m to infinity
- Low chief ray angle

## Applications

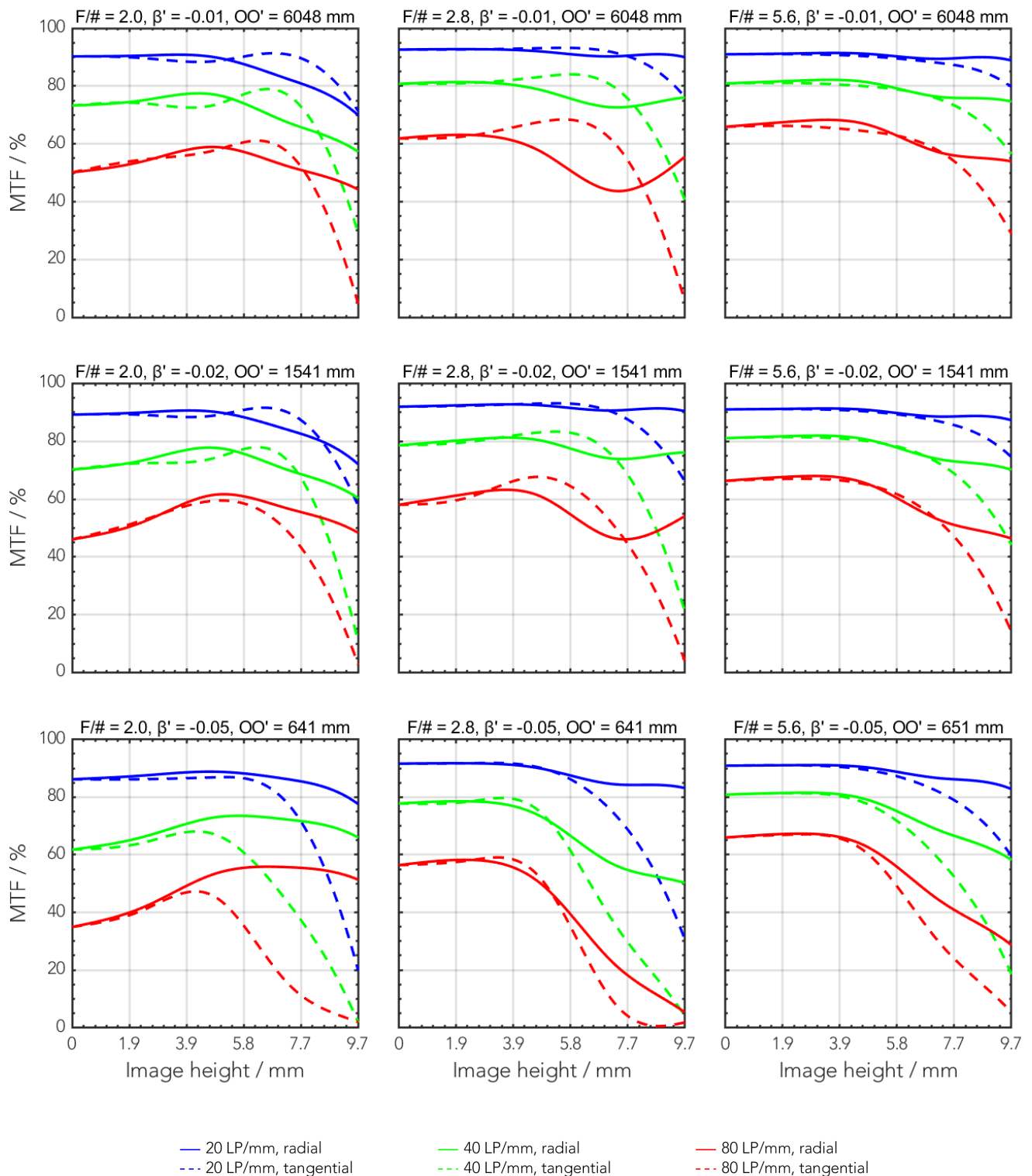
- Traffic
- Surveillance
- Long distance imaging

## Technical specifications

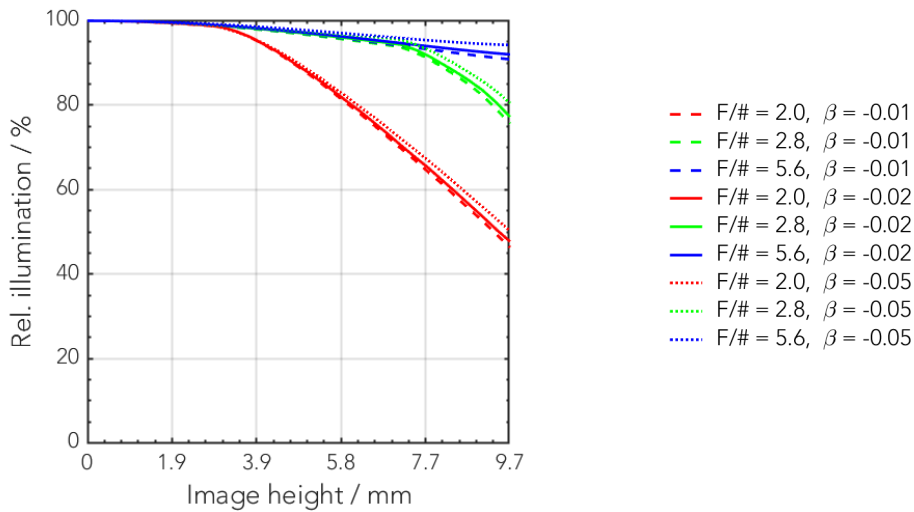
Type [motorized iris]	C-MI
ID [motorized iris]	1084646
Interface	C-Mount
Focal length [mm]	30
F/# range	F/2 ... F/16
Numerical aperture [object   image]	-   0.25
Max. sensor size [mm]	19.3
Max. angle of view [°]	30
Rec. magnification range	-0.1 ... 0
Rec. working distance range [mm]	295 ... ∞
Min. working distance without extension tubes [mm]	120
Filter thread [mm]	M30.5 x 0.5
Storage temperature [°C]	-25 ... +70
Net. weight [standard] [g]	147
Additional info	-
f'eff [mm]	29.99
SF [mm]	-4.91
S'F' [mm]	13.96
HH' [mm]	-11.95
β'P	1.37
SEP [mm]	17.05
S'AP [mm]	-27.00
Σd [mm]	29.17

## MTF charts

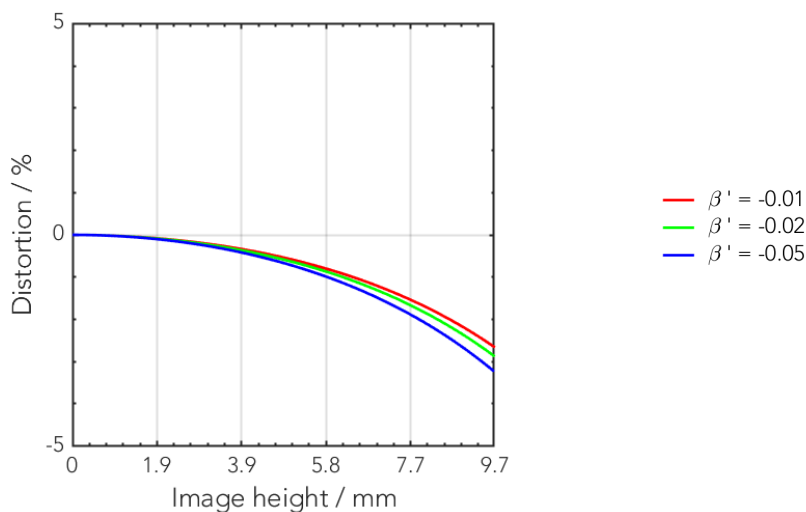
Spectrum name	VIS					
Wavelengths [nm]	425	475	525	575	625	675
Rel. weights [%]	8	16	23	22	19	13



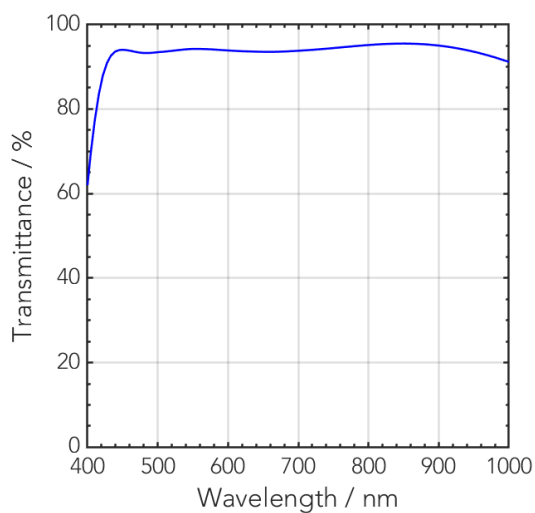
## Rel. illumination vs. image height

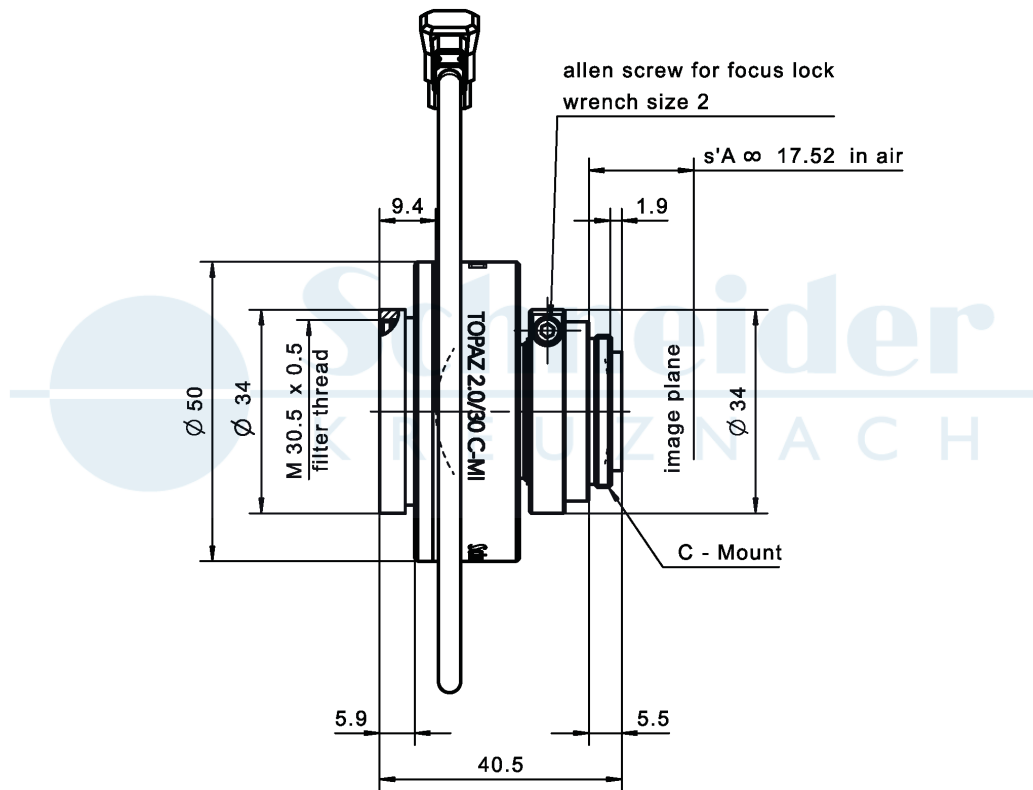


## Distortion vs. image height



## Transmittance vs. wavelength





## Additional electrical information

Motor type	2 phase, bipolar stepper motor
Coil resistance	21 Ohm
Rated current	≤ 143 mA/Phase
Rated voltage	3 V
Coil inductivity	1.8 mH/phase @ 1 kHz
Max. step frequency	400 Hz
Cable type	Lemo Santoprene 2 x 2 x 0.14 mm <sup>2</sup> black
Cable length	300 mm
Electrical connector	JEITA E4-191J-100
Operating temperature	0°C to +50°C
Storage temperature	-25°C to +70°C
Mean time between failures (MTBF)	> 100.000 cycles

## Sequence of excitation

pins \ steps	1	2	3	4
3	high	high	low	low
2	low	low	high	high
1	low	high	high	low
4	high	low	low	high

Iris movement

<--- open iris / ---> close iris

## Motor steps to f-stop resolution

Motor steps	10	15	20	25	30	35	40
Iris-diameter	7.9	5.8	4.2	3	2.2	1.6	1.1
F-stop	2.3	3.1	4.3	5.9	8.2	11.2	15.5

## F-stop to motor steps resolution

F-stop	2	2.8	4	5.6	8	11	16
Iris-diameter	9	6.4	4.5	3.2	2.2	1.6	1.1
Motor steps	8	13.3	18.9	24.1	29.7	34.7	40.5

Accessories	Mount	Eff. length	ID
Adapter	CS-Mount	5 mm	25081
	C-Mount / M42x1	5.5 mm	1075817
Extension tube	C-Mount / C-Mount	5 mm	39316
	C-Mount / C-Mount	8 mm	39315
	C-Mount / C-Mount	10 mm	39312

Annotation	
Focal length	Nominal focal length
F/# range	Image space F-number range for infinity focus position
Numerical aperture	Maximum real numerical aperture (depending on recommended magnification range either for infinity or respective fixed magnification)
Max. sensor size	Image circle diameter
Max. angle of view	Angle of view associated with maximum sensor size (depending on recommended magnification range either for infinity or respective fixed magnification)
Rec. magnification range	Magnification range as recommended by Schneider-Kreuznach
Rec. working distance range	Working distance, i.e. distance between object and first mechanical element, associated with recommended magnification range
Max. mechanical focus travel	Maximum possible movement of the lens from infinity position (depending on recommended magnification range either for infinity or respective fixed magnification)
Net weight	weight of unpacked lens without lens cap
$f'_{\text{eff}}$	Effective focal length
SF	Distance between vertex of first lens surface and object space focal point
S'F'	Distance between vertex of last lens surface and image space focal point (back focal distance at infinity)
HH'	Distance between principal planes
$\beta'P$	Pupil magnification (= exit pupil diameter / entrance pupil diameter)
SEP	Distance between vertex of first lens surface and entrance pupil
S'AP	Distance between vertex of last lens surface and exit pupil
$\Sigma d$	Distance between vertices of first and last lens surface
s'A	Flange focal distance (in air) for infinite object distance (depending on recommended magnification range either for infinity or respective fixed magnification)
$\beta'$	Magnification (= image size / object size), negative value because image is inverted
OO'	Distance between object and image

Unless otherwise stated all dimensions in this data sheet are in mm.