

This high resolution 1.3" C-Mount lens with motorized iris is compact and robust and therefore ideal for demanding imaging applications even in harsh environment. With the special broadband AR coating it can be used either in the visible 400 to 700 nm or in the NIR 700 to 1000 nm range.

Key features

- Compact design
- Robust mechanics
- Image circle 24 mm
- Distortion < 1 %

Applications

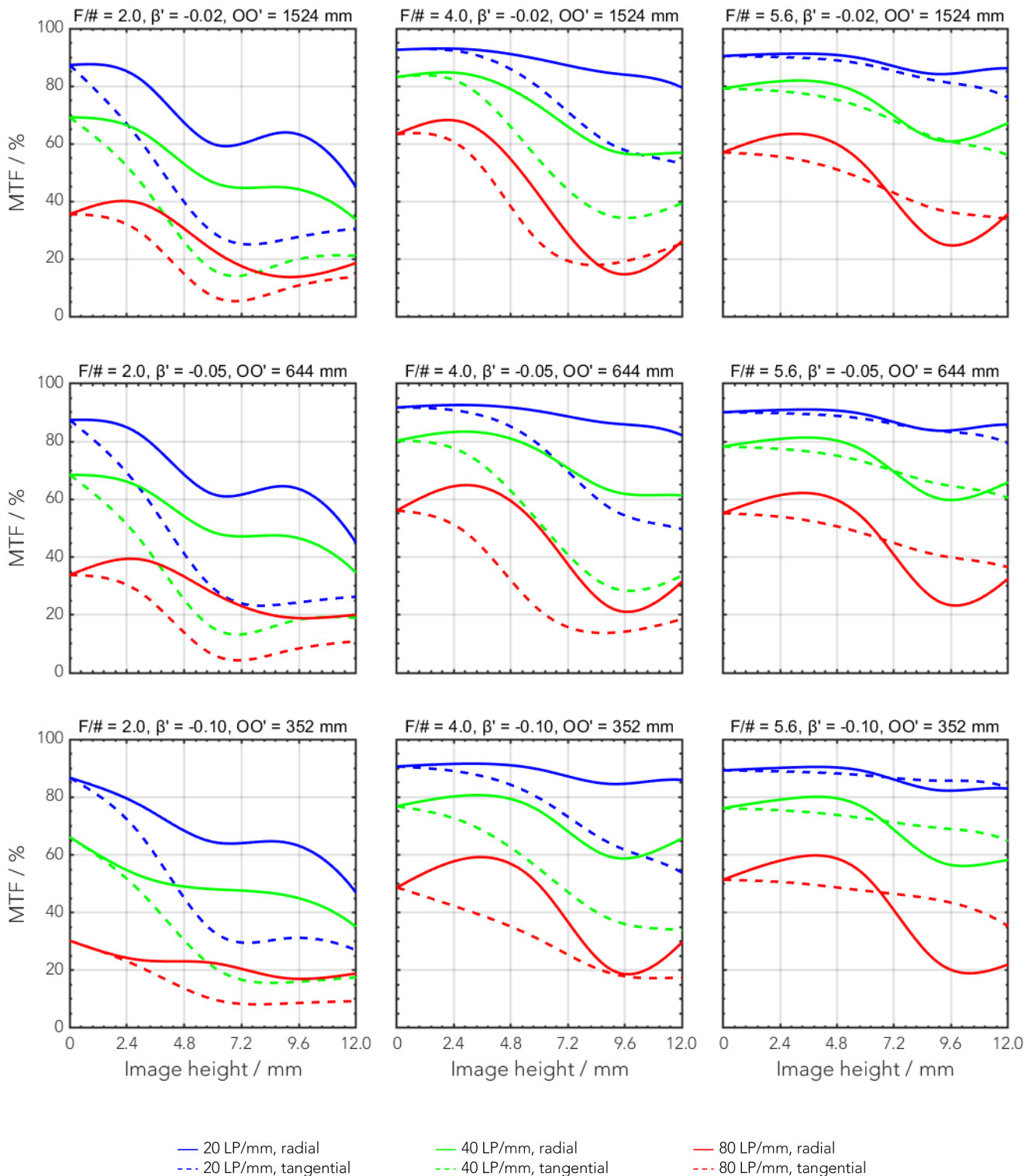
- Machine Vision
- AOI (Automated Optical Inspection)
- 3D and 2D measurement
- Traffic and surveillance

Technical specifications

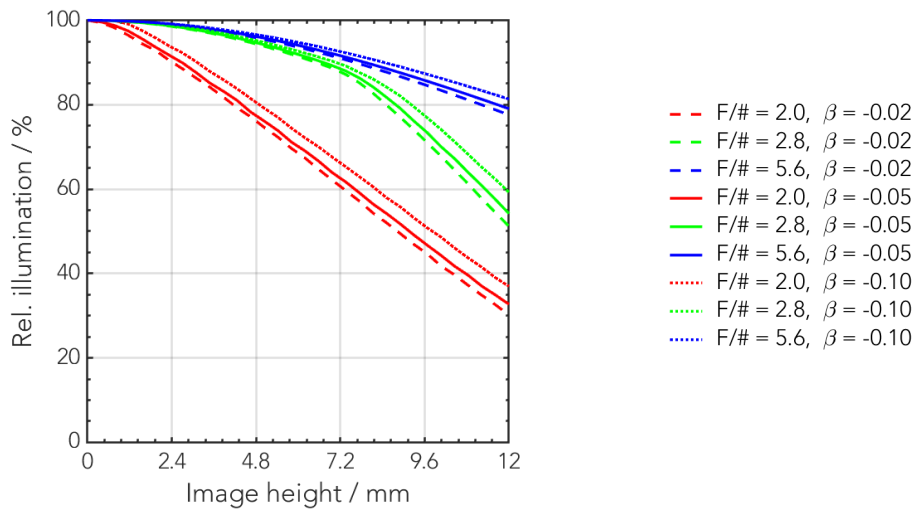
| | |
|--|--------------|
| Type [motorized iris] | C-MI |
| ID [motorized iris] | 1061456 |
| Interface | C-Mount |
| Focal length [mm] | 28 |
| F/# range | F/2 ... F/16 |
| Numerical aperture [object image] | - 0.24 |
| Max. sensor size [mm] | 24 |
| Max. angle of view [°] | 45 |
| Rec. magnification range | -0.2 ... 0 |
| Rec. working distance range [mm] | 150 ... ∞ |
| Min. working distance without extension tubes [mm] | 126 |
| Filter thread [mm] | M30.5 x 0.5 |
| Storage temperature [°C] | -25 ... +70 |
| Net. weight [standard] [g] | 122 |
| Additional info | - |
| f'eff [mm] | 29.29 |
| SF [mm] | -16.31 |
| S'F' [mm] | 20.82 |
| HH' [mm] | -2.94 |
| β'P | 1.05 |
| SEP [mm] | 11.62 |
| S'AP [mm] | -9.90 |
| Σd [mm] | 18.52 |

MTF charts

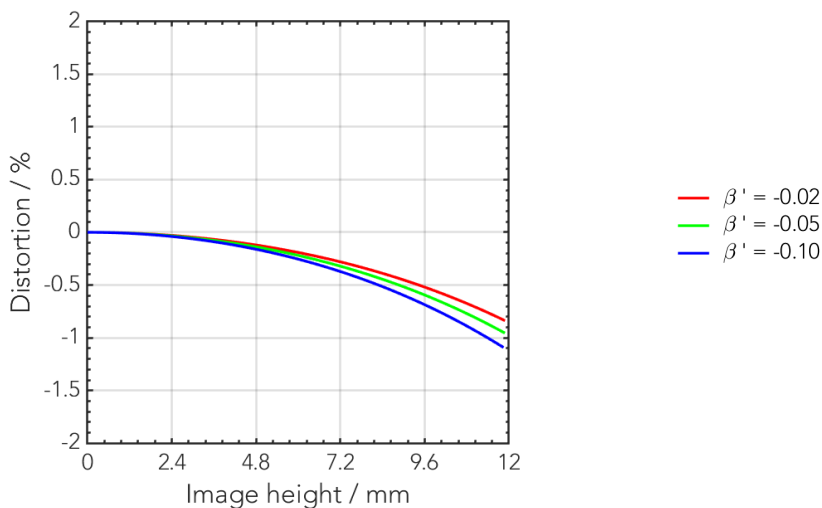
| Spectrum name | VIS | | | | | |
|------------------|-----|-----|-----|-----|-----|-----|
| Wavelengths [nm] | 425 | 475 | 525 | 575 | 625 | 675 |
| Rel. weights [%] | 8 | 16 | 23 | 22 | 19 | 13 |



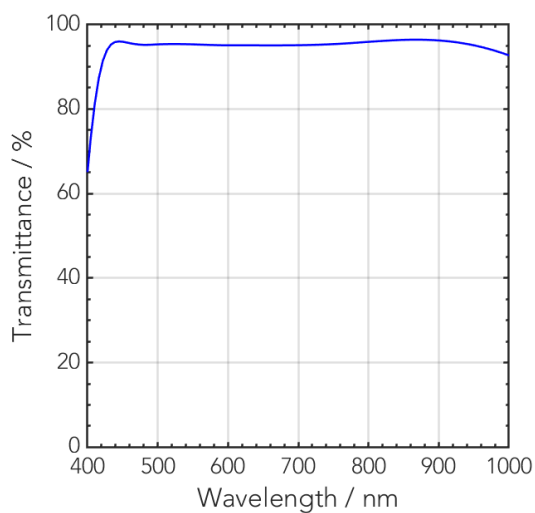
Rel. illumination vs. image height



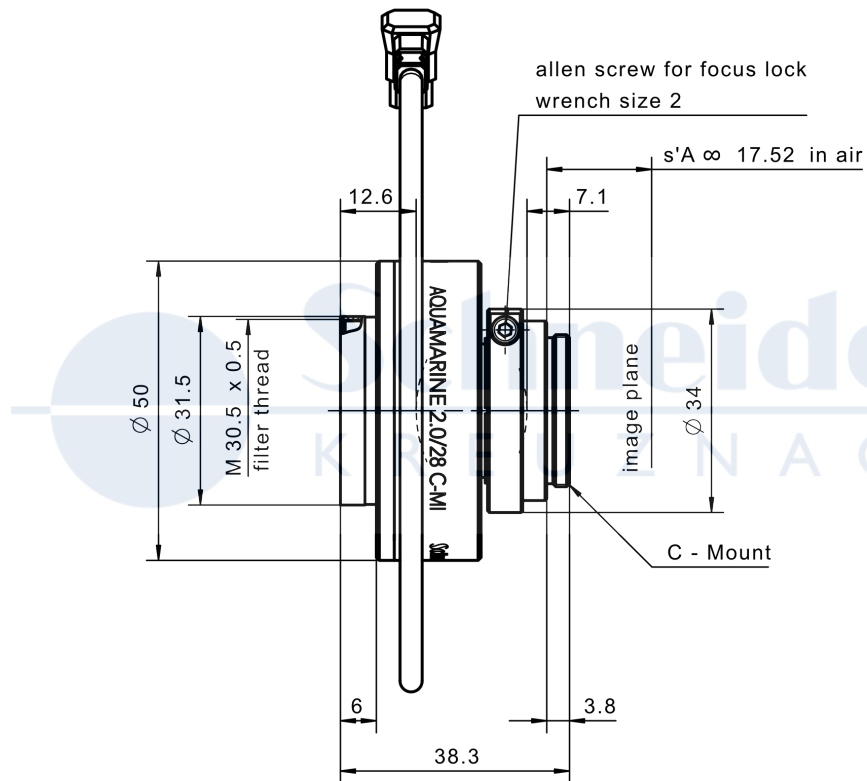
Distortion vs. image height



Transmittance vs. wavelength



Technical drawings



Additional electrical information

| | |
|-----------------------------------|--|
| Motor type | 2 phase, bipolar stepper motor |
| Coil resistance | 21 Ohm |
| Rated current | ≤ 143 mA/Phase |
| Rated voltage | 3 V |
| Coil inductivity | 1.8 mH/phase @ 1 kHz |
| Max. step frequency | 400 Hz |
| Cable type | Lemo Santoprene 2 x 2 x 0.14 mm ² black |
| Cable length | 300 mm |
| Electrical connector | JEITA E4-191J-100 |
| Operating temperature | 0°C to +50°C |
| Storage temperature | -25°C to +70°C |
| Mean time between failures (MTBF) | > 100.000 cycles |

Sequence of excitation

| pins \ steps | 1 | 2 | 3 | 4 |
|--------------|------|------|------|------|
| 3 | high | high | low | low |
| 2 | low | low | high | high |
| 1 | low | high | high | low |
| 4 | high | low | low | high |

Iris movement

<--- open iris / ---> close iris

Motor steps to f-stop resolution

| Motor steps | 10 | 15 | 20 | 25 | 30 | 35 |
|---------------|-----|-----|-----|-----|-----|------|
| Iris-diameter | 7.9 | 5.7 | 4.2 | 3.1 | 2.2 | 1.6 |
| F-Stop | 2.6 | 3.5 | 4.9 | 6.7 | 9.3 | 12.8 |

F-stop to motor steps resolution

| F-stop | 2 | 2.8 | 4 | 5.6 | 8 | 11 | 16 |
|---------------|------|------|------|------|------|------|------|
| Iris-diameter | 10.2 | 7.2 | 5.1 | 3.7 | 2.6 | 1.9 | 1.3 |
| Motor steps | 6 | 11.4 | 16.9 | 22.1 | 27.7 | 32.7 | 38.5 |

| Accessories | Mount | Eff. length | ID |
|----------------|-------------------|-------------|---------|
| Adapter | CS-Mount | 5 mm | 25081 |
| | C-Mount / M42 x 1 | 5.5 mm | 1075817 |
| Extension tube | C-Mount / C-Mount | 5 mm | 39316 |
| | C-Mount / C-Mount | 8 mm | 39315 |
| | C-Mount / C-Mount | 10 mm | 39312 |

| Annotation | |
|------------------------------|---|
| Focal length | Nominal focal length |
| F/# range | Image space F-number range for infinity focus position |
| Numerical aperture | Maximum real numerical aperture (depending on recommended magnification range either for infinity or respective fixed magnification) |
| Max. sensor size | Image circle diameter |
| Max. angle of view | Angle of view associated with maximum sensor size (depending on recommended magnification range either for infinity or respective fixed magnification) |
| Rec. magnification range | Magnification range as recommended by Schneider-Kreuznach |
| Rec. working distance range | Working distance, i.e. distance between object and first mechanical element, associated with recommended magnification range |
| Max. mechanical focus travel | Maximum possible movement of the lens from infinity position (depending on recommended magnification range either for infinity or respective fixed magnification) |
| Net weight | weight of unpacked lens without lens cap |
| f'_{eff} | Effective focal length |
| SF | Distance between vertex of first lens surface and object space focal point |
| S'F' | Distance between vertex of last lens surface and image space focal point (back focal distance at infinity) |
| HH' | Distance between principal planes |
| $\beta'P$ | Pupil magnification (= exit pupil diameter / entrance pupil diameter) |
| SEP | Distance between vertex of first lens surface and entrance pupil |
| S'AP | Distance between vertex of last lens surface and exit pupil |
| Σd | Distance between vertices of first and last lens surface |
| s'A | Flange focal distance (in air) for infinite object distance (depending on recommended magnification range either for infinity or respective fixed magnification) |
| β' | Magnification (= image size / object size), negative value because image is inverted |
| OO' | Distance between object and image |

Unless otherwise stated all dimensions in this data sheet are in mm.