

# PowerShot Showerhead

Model #2056-BN & 2056-CH

PW-92056-7225BRN & PW-92056-7225CP

## Owner's Manual



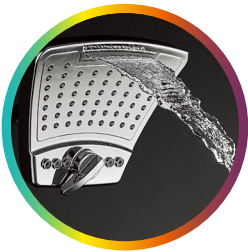
Shower arm NOT included

Please Read The Following Instructions COMPLETELY Before Beginning!

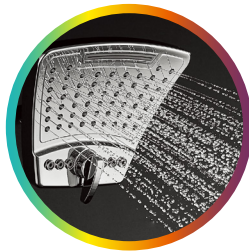
### Includes

PowerShot Showerhead  
Plumber's Tape

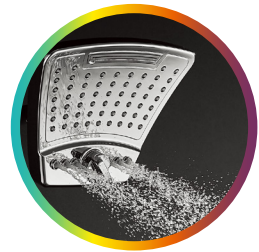
### 3-Function Showerhead



Waterfall



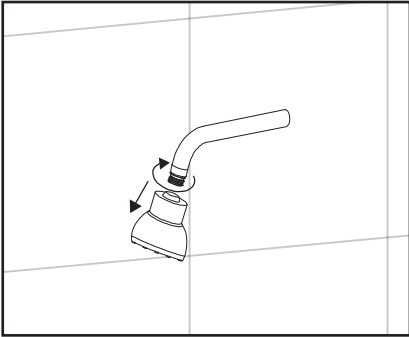
Rain Showerhead



PowerShot

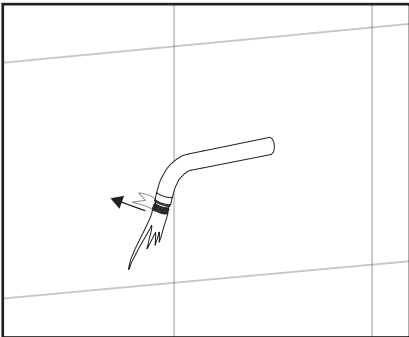
# Installation Instructions

①



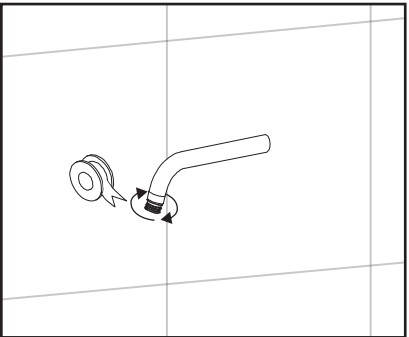
Remove existing showerhead from shower arm

②



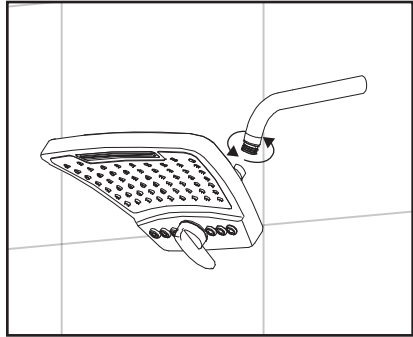
Remove any remnants of old plumber's tape and flush out shower pipe.

③



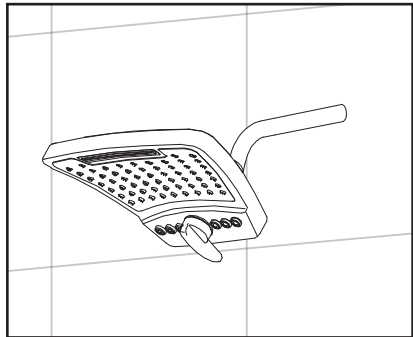
Apply plumber's tape, 3 or 4 turns around threaded part of shower arm.

④



Thread PowerShot Showerhead, clockwise, onto the shower arm.

⑤



Product fully assembled.

## Operations

