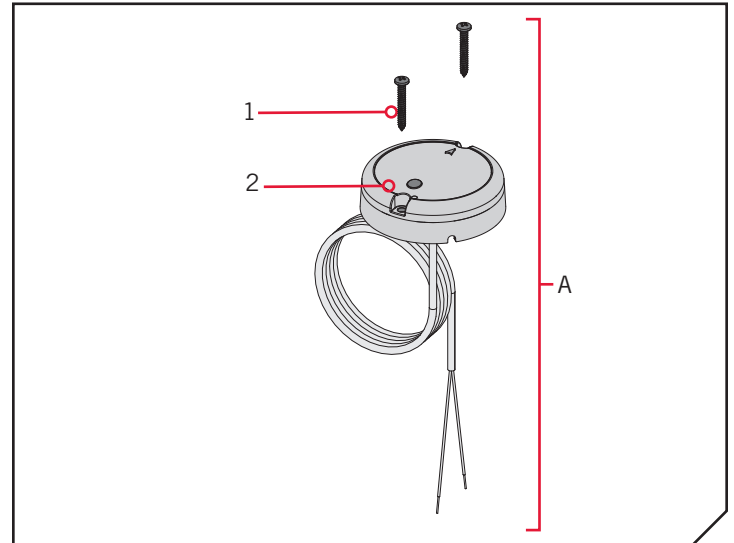


Compatible with all Bluetooth® enabled i-Pilot® and i-Pilot® Link™ systems

Item / Assembly	Part #	Description	Qty.
A	2996400	HEADING SENSOR ASSEMBLY	1
1	2393400	SCREW-#8-18X1-1/2 PPH TY AB SS *STAINLESS STEEL*	2
2	*	HEADING SENSOR	1



* This part is included in an assembly and cannot be ordered individually.

THEORY OF OPERATION >

> Heading Sensor Functions

The Minn Kota Heading Sensor provides boat heading information to a Bluetooth compatible i-Pilot or i-Pilot Link equipped Minn Kota motor. It contains a compass that senses the boat's heading. The heading is used by the i-Pilot or i-Pilot Link system for navigation features such as Spot-Lock Jog. The Heading Sensor does not contain a GPS receiver and it does not change or control the orientation of the boat. The Minn Kota Heading Sensor can only communicate with other Bluetooth compatible Minn Kota products.

NOTICE: The Heading Sensor does not come standard with all models. It can be purchased as an accessory. To learn more about Minn Kota accessories, please visit www.minnkotamotors.com.

WARNING

The Heading Sensor should not be used as a navigational aid to prevent collision, grounding, boat damage, or personal injury. When the boat is moving, water depth may change too quickly to allow time for you to react. Always operate the boat at very slow speeds if you suspect shallow water or submerged objects.

Do not install the Heading Sensor near ferrous metals or near anything that may create a magnetic field or interference. The Heading Sensor must be installed at least 24" from magnetic or ferrous materials on the boat including the base of the motor. Installation near the motor lead wires must also be avoided due to magnetic fields being created during high current draw situations.

MOUNTING CONSIDERATIONS >

Before mounting your Heading Sensor, give consideration to the following:

1. The Heading Sensor contains a compass that detects a magnetic field. Do not install the Heading Sensor near ferrous metals or wires that handle large currents, such as batteries or power cables.
2. Mount the Heading Sensor in an area that has a clear line of communication with the head of the motor that is installed with a Bluetooth compatible i-Pilot system for optimum performance.

CAUTION

The Heading Sensor can be adversely affected by magnets or large, ferrous metal objects. Do not install the Heading Sensor within 24" of these objects as they will cause interference.

3. Make sure the area under the mounting location is level and is clear to drill holes and installation hardware will not damage existing components below the mounting surface.
4. Test that the Power Cable that powers the Heading Sensor is long enough to reach the power source from the intended mounting location. If the cable does not reach the battery or intended power source, select a location closer to the source.
5. Mount the Heading Sensor horizontally. It should not be mounted upside down.

TOOLS AND RESOURCES REQUIRED

- Drill
- 1/4" Drill Bit
- #2 Screwdriver
- 9/64" Drill Bit
- Awl or similar marking tool
- Marine-grade Silicone

INSTALLATION

MOUNTING OPTIONS

There are two options to install the Heading Sensor. Determine if the Power Cable for the Heading Sensor will pass below the mounting surface.

1. Access under the Mounting Location - When installing the Heading Sensor with this option, the Power Cables that come from the Heading Sensor will pass through the mounting surface. Only choose this option when the cables can be accessed after they are passed through the mounting surface. Follow the instructions in the Installation for Access Under the Mounting Location section of this instruction sheet.

2. No Access under the Mounting Location - The Power Cables for the Heading Sensor will be routed to the side because there is no room under the mounting location for the cables to pass, or the area below the mounting location is not accessible. Follow the instructions in the Installation for No Access Under the Mounting Location section of this instruction sheet.

It is important to review the mounting considerations and test run the Power Cable before installation.

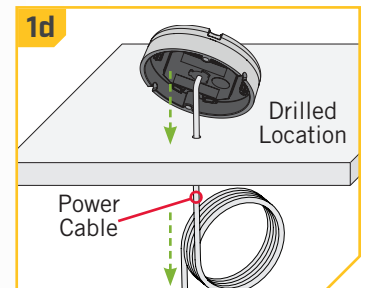
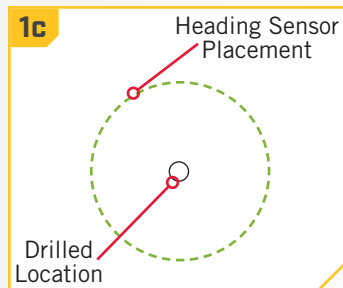
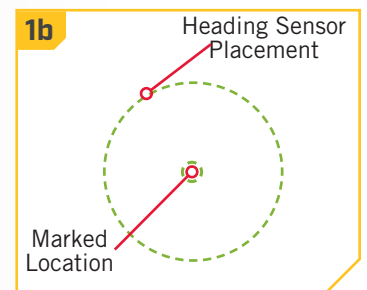
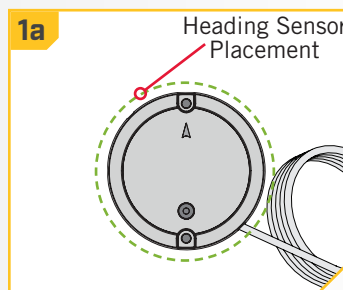
Installation for Access Under the Mounting Location

1

ITEM(S) NEEDED



- a. Review the Mounting Considerations and then set the Heading Sensor (Item #2) flat on the selected mounting location and note the placement.
- b. Lift the Heading Sensor away and mark a point with an awl or similar marking tool beneath the mounting location for the power cable to pass through the surface.
- c. Using a drill with a 1/4" bit, drill a hole through the mounting location.
- d. Route the power cable through the drilled hole and feed the cable all the way through until the Heading Sensor sits flat on the mounting location and the cable is completely threaded through the drill hole.



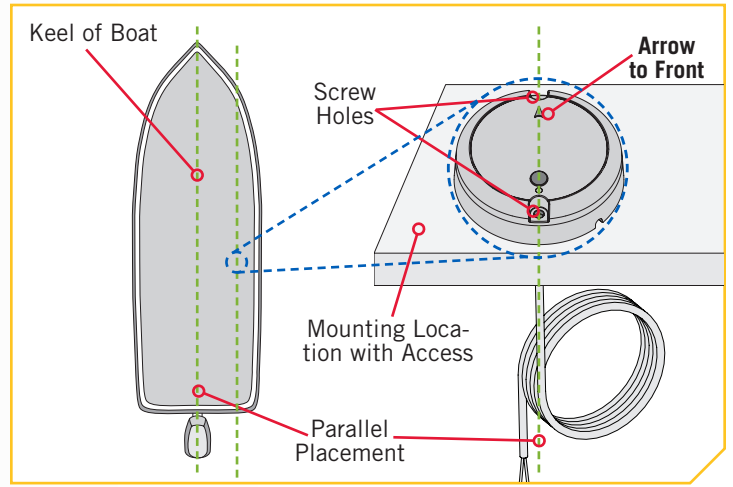
2

- e. Position the sensor so that the arrow on the cover is pointed toward the front of the boat in the direction of travel. **The arrow needs to be parallel with the keel of the boat.**

CAUTION

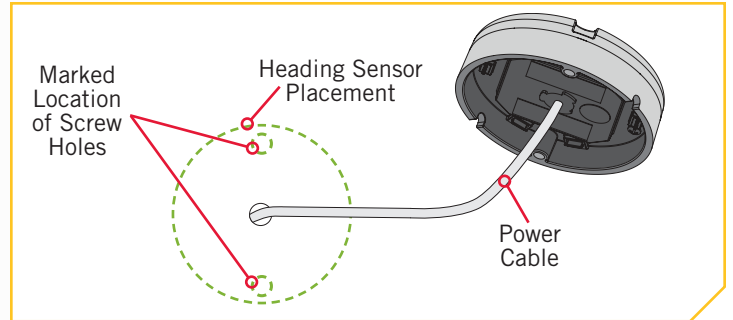
Failure to align the Heading Sensor correctly will result in incorrect compass readings.

- f. Mark the location of the two screw holes with an awl or similar marking tool.



3

- g. Move the Heading Sensor to the side and drill two holes using a 9/64" drill bit on the marked locations.

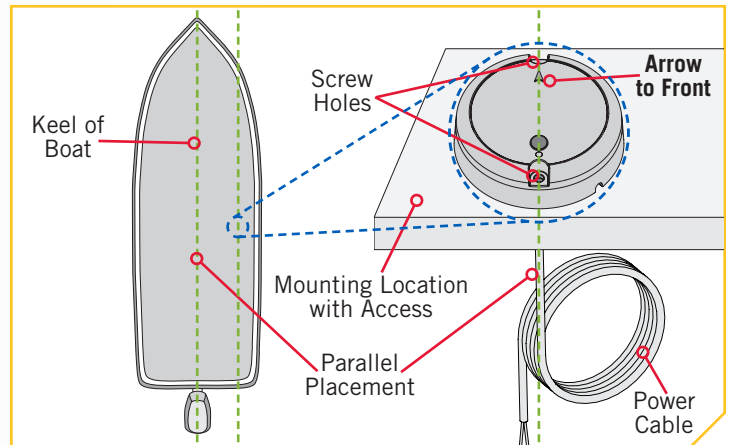


4

- h. Position the Heading Sensor back in place so that the holes drilled in the mounting location line up with the holes in the Heading Sensor and the Power Cable is completely threaded. **Be sure to mount the arrow towards the front of the boat and make the alignment parallel with the keel of the boat.**

CAUTION

Failure to align the Heading Sensor correctly will result in incorrect compass readings.



CAUTION

If the mounting surface is thin or made of a lightweight material, the mounting surface may need to be reinforced in order to support the Heading Sensor. Hand tighten the mounting screw to avoid over tightening and to prevent damage to the mounting location and Heading Sensor.

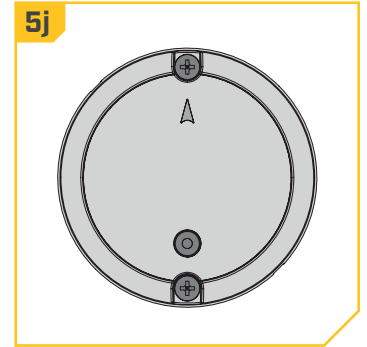
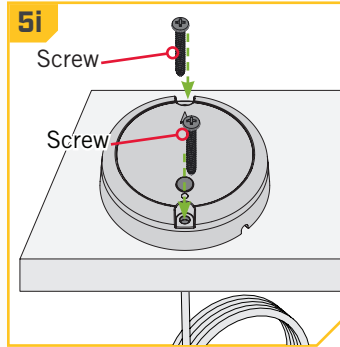
5

ITEM(S) NEEDED



- i. Apply a marine-grade silicone caulk or sealant to both #8 - 18x1-1/2 screws (Item #1) as needed to protect your boat from water damage.
- j. Using a #2 Screwdriver, mount the Heading Sensor to the mounting location using the two screws. Hand tighten only.

NOTICE: If replacement screws must be used, ensure that they are high grade non-magnetic stainless steel.



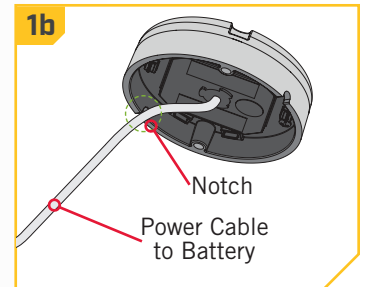
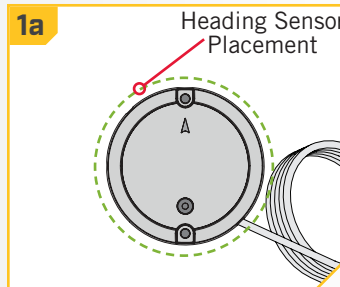
Installation for No Access Under the Mounting Location

1

ITEM(S) NEEDED



- a. Review the Mounting Considerations and then set the Heading Sensor (Item #2) flat on the mounting location and note its placement.
- b. Route the power cable through one of the two notches in the base of the Heading Sensor. When the arrow on the Heading Sensor is pointing towards the front of the boat, the cable should exit the Heading Sensor in the direction that is closest to its intended power source.

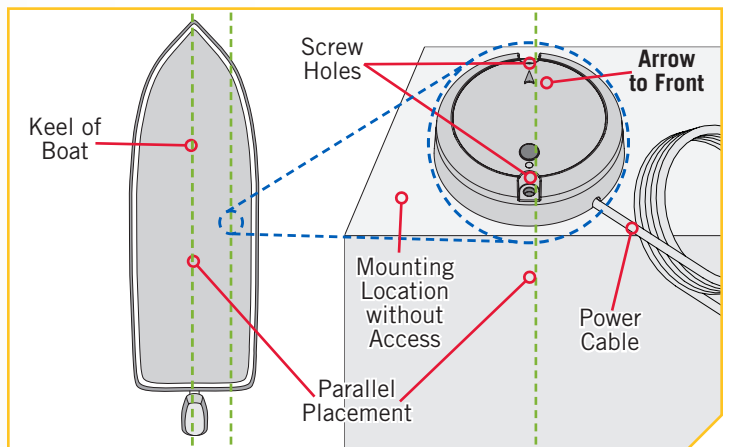


2

- c. Double check the position of the Heading Sensor so that the arrow on the cover is pointed toward the front of the boat in the direction of travel. **The arrow needs to be parallel with the keel of the boat.**

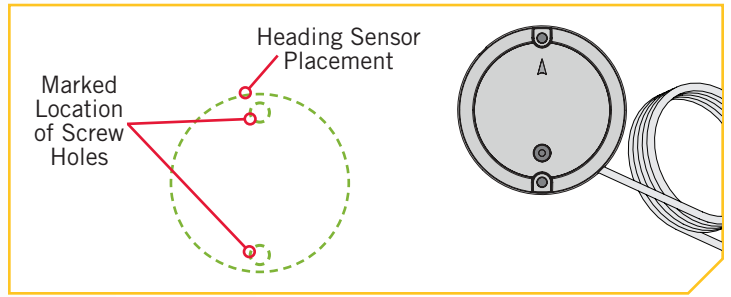
CAUTION

Failure to align the Heading Sensor correctly will result in incorrect compass readings.



3

- d. Mark the location of the two screw holes with an awl or similar marking tool.
- e. Move the Heading Sensor to the side and drill two holes using a 9/64" drill bit on the marked locations.

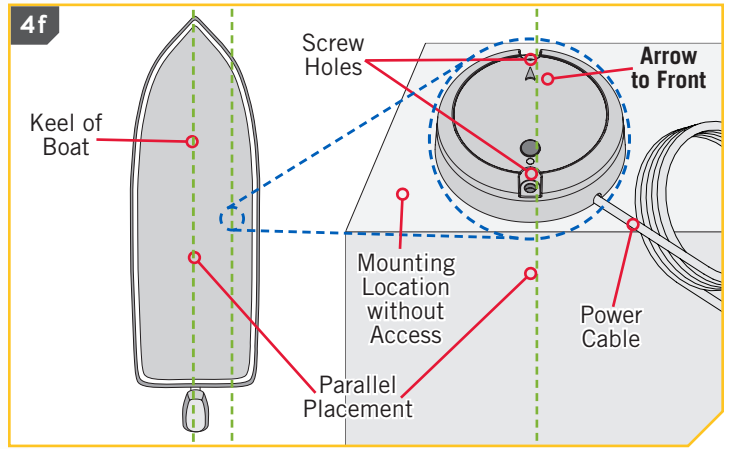


4

ITEM(S) NEEDED



- f. Position the Heading Sensor back in place so that the holes drilled in the mounting location line up with the holes in the Heading Sensor. **Be sure to mount the arrow towards the front of the boat and make the alignment parallel with the keel of the boat.**
- g. Apply a marine-grade silicone caulk or sealant to both #8 - 18x1-1/2 screws (Item #1) as needed to protect your boat from water damage.



⚠ CAUTION

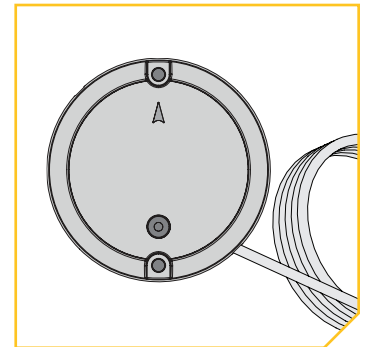
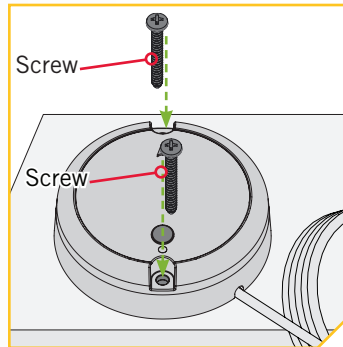
Failure to align the Heading Sensor correctly will result in incorrect compass readings.

5

- h. Using a #2 Screwdriver, mount the Heading Sensor to the mounting location using the two screws. Hand tighten only.

⚠ CAUTION

If the mounting surface is thin or made of a lightweight material, the mounting surface may need to be reinforced in order to support the Heading Sensor. Hand tighten the mounting screw to avoid over tightening and to prevent damage to the mounting location and Heading Sensor.

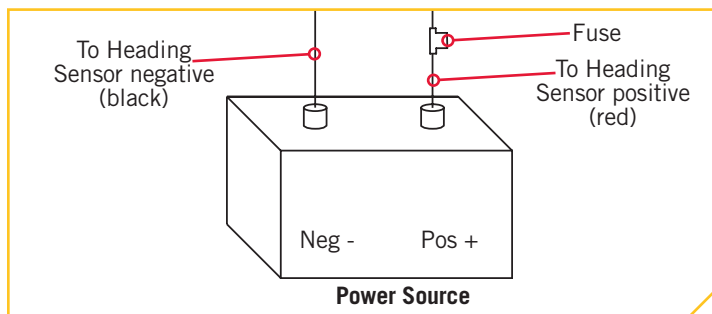


NOTICE: If replacement screws must be used, ensure that they are high grade non-magnetic stainless steel.

› Connecting the Heading Sensor to a Power Source

The Heading Sensor is powered by a 12-volt power source. The Heading Sensor must be set up with a one amp fuse, either in-line, or connected to a fuse panel. To connect the Heading Sensor, please follow the directions below.

1. Connect positive (+) red lead to positive (+) power source terminal.
2. Connect negative (-) black lead to negative (-) power source terminal.



⚠ WARNING

Never connect the (+) and the (-) terminals of the same battery together. Take care that no metal object can fall onto the battery and short the terminals. This would immediately lead to a short and extreme fire danger.

HEADING SENSOR COMMUNICATION ›

LIGHT PATTERNS

The Heading Sensor displays modes of operation with an LED located on the Pair Button. There are three distinct patterns that the LED will display to communicate different modes of operation. Become familiar with the modes of operation to be sure that the Heading Sensor is powered up and communicating with i-Pilot or i-Pilot Link.

The three LED patterns displayed by the Heading Sensor are:

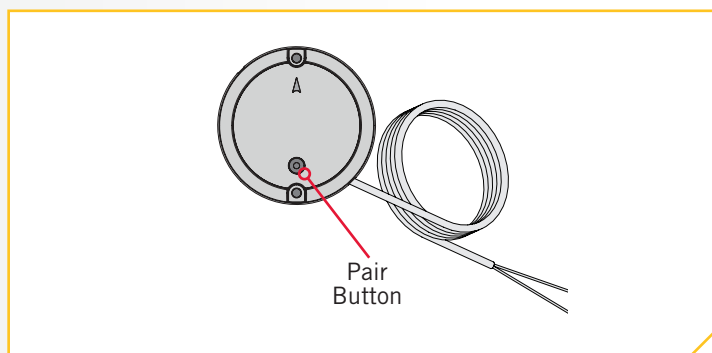
1. Power On - When the Heading Sensor is first connected to a power source, the LED will turn on for 3 seconds and then turn off.
2. Pairing - The Heading Sensor can be paired with i-Pilot and i-Pilot Link. While the Heading Sensor is attempting to pair, the LED will flash on and off twice per second for up to 20 seconds. If the Heading Sensor is successfully paired, normal operation will begin. If the Heading Sensor is not paired, the LED will turn off.
3. Normal Operation - During normal operation when the Heading Sensor is connected to a power source and paired to and actively communicating with i-Pilot or i-Pilot Link, the LED on the Heading Sensor will flash on and off once every 3 seconds.

HEADING SENSOR SET-UP ›

PAIRING THE HEADING SENSOR

Before the Heading Sensor can be paired, make sure that it has been properly installed and connected to a power source. Review the LED patterns that the Heading Sensor communicates in order to understand what mode it is in and to be able to recognize that it has successfully paired once the process is complete. To pair the Heading Sensor:

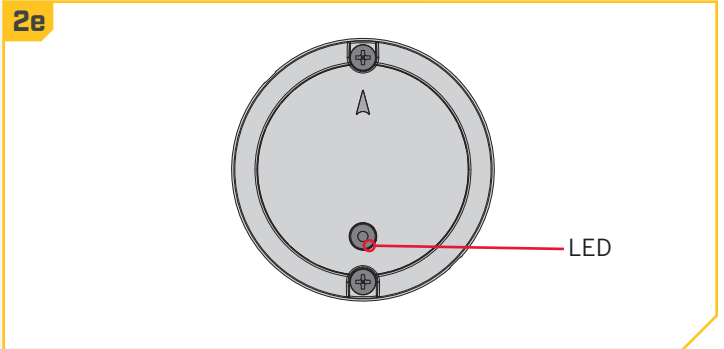
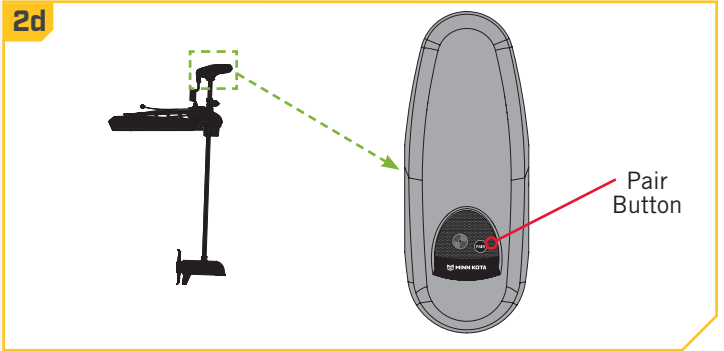
- 1**
 - a. Connect the Heading Sensor to a power source. Verify that the LED on the Heading Sensor turns on for 3 seconds and then turns off.
 - b. Power on the trolling motor. Please see the trolling motor Owner's Manual for instructions on how to power up the trolling motor.
 - c. Press the Pair button on the Heading Sensor. Verify that the LED indicates it is attempting to pair.



2

- d. As quickly as possible, begin to hold the Pair button on the i-Pilot or i-Pilot Link Control Head.
- e. The i-Pilot or i-Pilot Link Control Head will emit a beep pattern when the Heading Sensor is successfully paired. Release the Pair button on the Control Head. Watch the Heading Sensor to be sure that once it successfully pairs that it starts emitting the LED pattern for normal operation.
- f. After the Heading Sensor is paired with i-Pilot or i-Pilot Link, proceed to Sensor Calibration and Sensor Offset.

NOTICE: If battery power is lost, the Heading Sensor will not lose its Pairing to the i-Pilot System when it is powered down.



HEADING SENSOR CALIBRATION

The Heading Sensor calibration is initiated using either the i-Pilot or i-Pilot Link remote. Refer to the Owner's Manual for your motor if you are unsure of the i-Pilot system that comes with your motor. The process of calibrating the Heading Sensor must occur while your boat is on the water. Heading Sensor Calibration should always be performed after the trolling motor and Heading Sensor have been mounted, but before the Heading Sensor Offset is performed. The Heading Sensor must be connected to power and paired with the Control Head of the trolling motor before beginning this process. The calibration process requires the boat to be driven in two complete circles, so plan accordingly when preparing for this process. To complete this process, read all safety warnings and follow the procedure below.

WARNING

You are responsible for the safe and prudent operation of your vessel. We have designed your Minn Kota product to be an accurate and reliable tool that will enhance boat operation and improve your ability to catch fish. This product does not relieve you from the responsibility for safe operation of your boat. You must avoid hazards to navigation and always maintain a permanent watch so you can respond to situations as they develop. You must always be prepared to regain manual control of your boat. Learn to operate your Minn Kota product in an area free from hazards and obstacles.

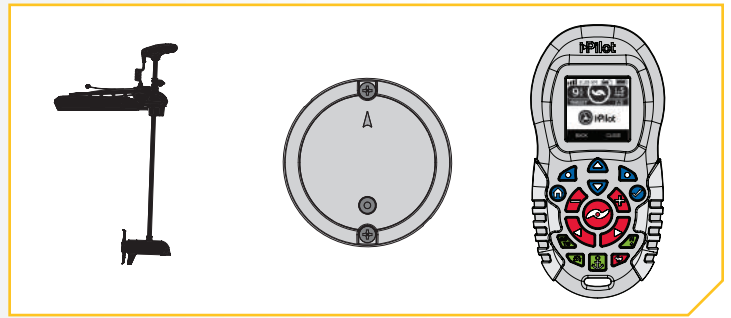
WARNING

Take care that neither you nor other persons approach the turning propeller too closely, neither with body parts nor with objects. The motor is powerful and may endanger or injure you or others. While the motor is running watch out for persons swimming and for floating objects. Persons whose ability to run the motor or whose reactions are impaired by alcohol, drugs, medication, or other substances are not permitted to use this motor.

Heading Sensor Calibration for i-Pilot

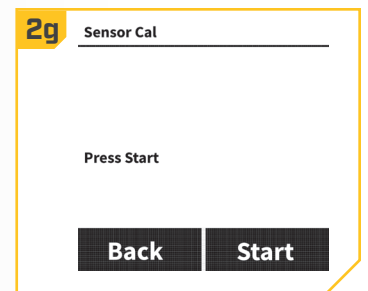
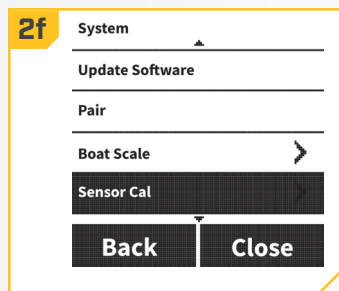
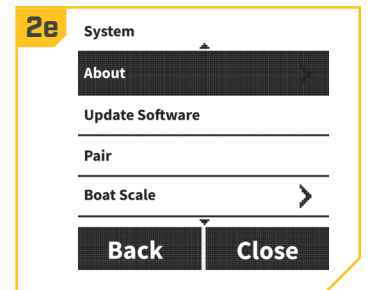
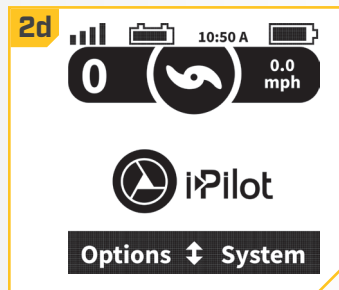
1

- Review all safety warnings and then navigate your boat to an area of the water that is free from obstructions.
- Power up the trolling motor according to the instructions provided in the Owner's Manual. Make sure the Heading Sensor is also powered up and paired with the trolling motor.
- Turn on the remote for your i-Pilot system.



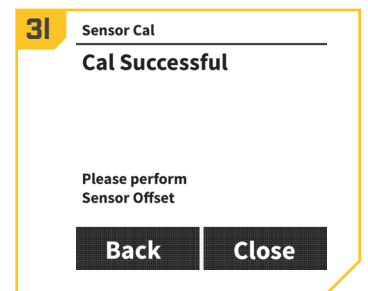
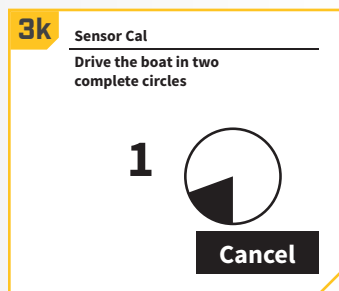
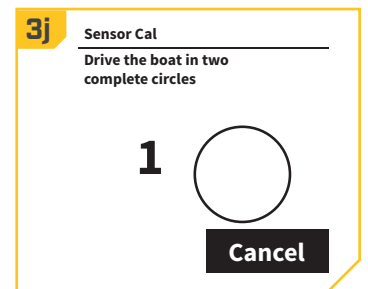
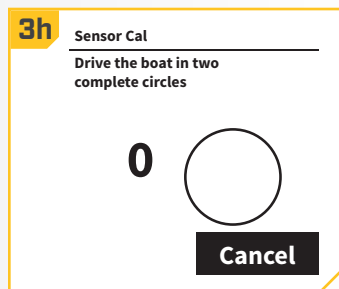
2

- On the i-Pilot remote, use the Menu Up and Menu Down buttons to find the System menu at the bottom of the display screen.
- Use the Right Softkey to select the System menu.
- Use the Menu Up and Menu Down buttons to find the Sensor Cal menu at the bottom of the display screen. Use the Ok button to select it.
- The Sensor Cal screen will display.



3

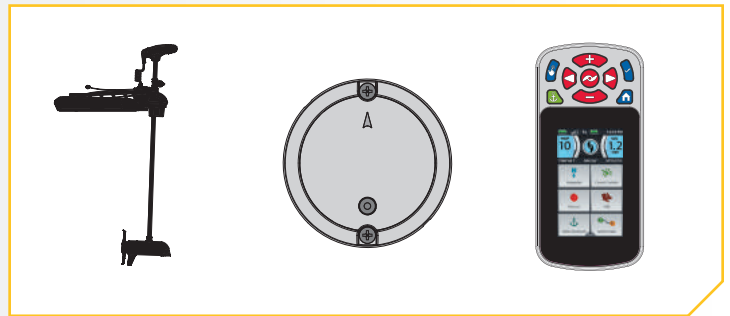
- Use the Right Softkey to select the Start menu.
- Review all safety warnings and then follow the prompts on the display screen and drive the boat in two complete circles.
- The left side of the Display Screen contains a counter that shows the number of complete turns that the boat has been driven and will increase from 0 to 1 and 2 as the circles are complete.
- The Circle on the right side of the display screen will show how complete the boat has progressed through the current circle and will fill in like a pie chart as the boat progresses.
- Once the two complete circles have been completed, the display screen will read Cal Successful.
- Use the Right Softkey to select the Close menu.



Heading Sensor Calibration for i-Pilot Link

1

- a. Review all safety warnings and then navigate your boat to an area of the water that is free from obstructions.
- b. Power up the trolling motor according to the instructions provided in the Owner's Manual. Make sure the Heading Sensor is also powered up and paired with the trolling motor.
- c. Turn on the remote for your i-Pilot or i-Pilot Link system.



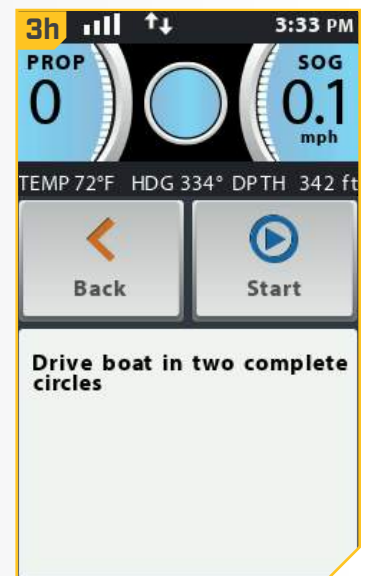
2

- d. On the i-Pilot Link remote, press the Home button.
- e. Scroll through the Content Area using either your finger or the Screen Navigation button to find the System button.
- f. Select the System button using either your finger or by pressing the Ok button to open the System Menu.





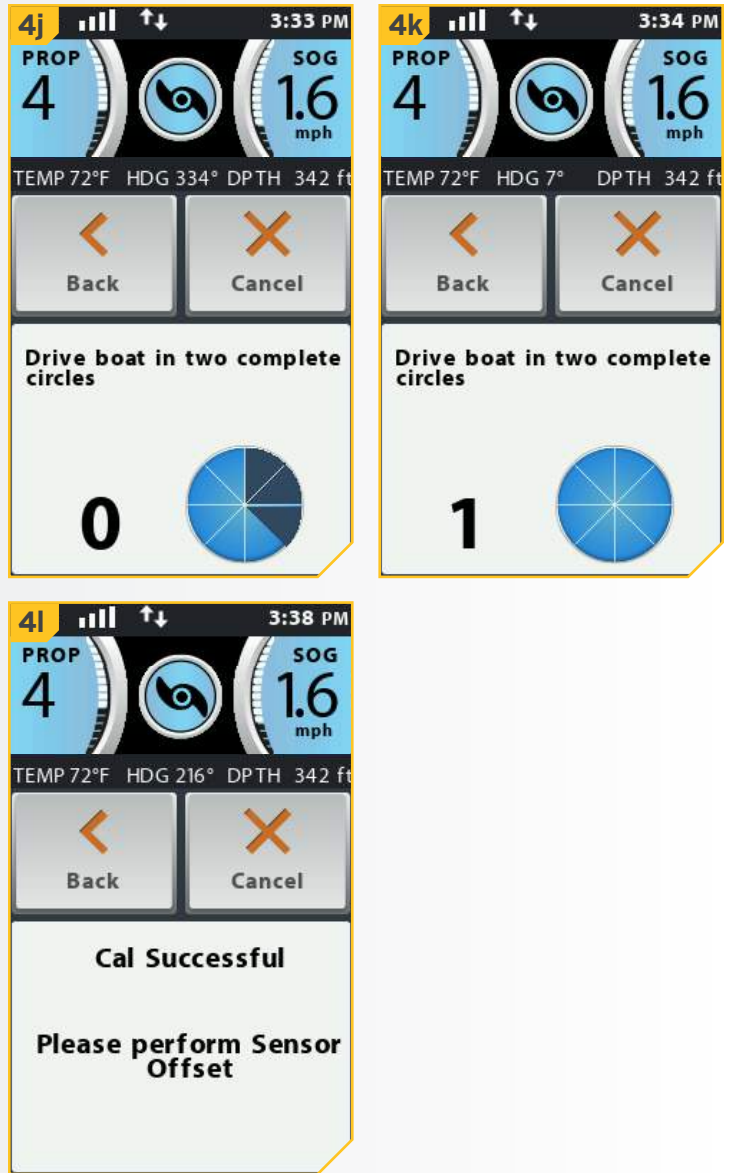
3

- g. Once in the System Menu, scroll through to find the Sensor Cal option, and select it.
- h. The Sensor Cal options appear. In order to complete sensor calibration, the boat must drive in two complete circles.
- i. Review all safety warnings and then follow the prompts on the display screen and drive the boat in two complete circles. Follow the on-screen prompt and select the Start button.



4

- j. The Circle on the right side of the display screen will show how the boat has progressed through the current circle and will fill in like a pie chart as the boat progresses.
- k. The left side of the Display Screen contains a counter that shows the number of complete circles that the boat has been driven and will increase from 0 to 1 and 2 as the circles are complete.
- l. Once the two complete circles have been completed, the display screen will read Cal Successful. To exit the menu, select either the Back  button or the Home  button.


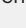

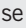
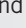



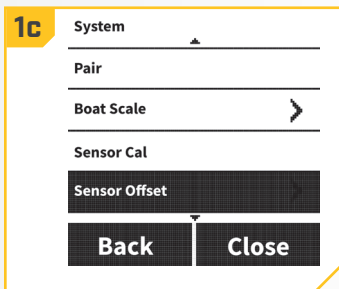
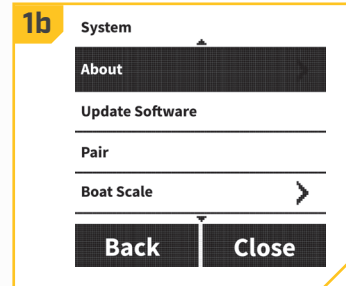
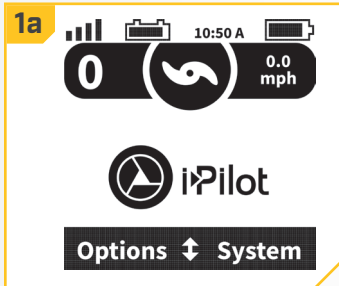
HEADING OFFSET

Once the Heading Sensor is calibrated, the Heading Offset needs to be set. Heading Offset is the difference between the angle of the Keel of the boat and the angle that the Heading Sensor is mounted to the deck of the boat. During installation, the Heading Sensor was installed to be as parallel to the Keel of the boat as possible. If the boat and Heading Sensor are perfectly parallel and pointing in exactly the same direction, the Offset will be a perfect 0° degrees. Knowing that installations are never perfect, the Heading Offset can be set on the i-Pilot or i-Pilot Link remote to compensate for the difference between the two. Heading Offset has the ability to correct the difference in measurement in a range between +30° and -30° degrees.




› Heading Offset for i-Pilot

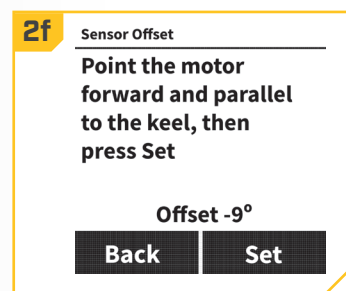
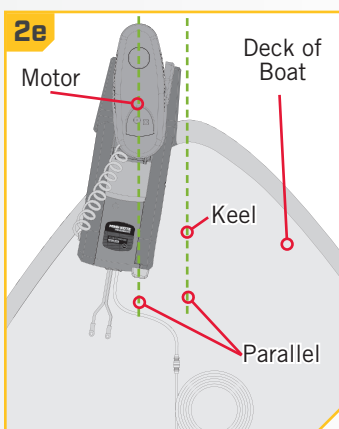
1

- On the i-Pilot remote, use the Menu Up  and Menu Down  buttons to find the System menu at the bottom of the display screen.
- Use the Right Softkey  to select the System menu.
- Use the Menu Up  and Menu Down  buttons to find the Sensor Offset menu at the bottom of the display screen. Use the Ok  button to select it.
- The Sensor Offset screen will display.




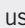



2

- Turn the motor so that it is parallel with the Keel of the boat.
- Use the Right Softkey  to select the Set menu.
- The Sensor Offset will automatically adjust. Use the Left Softkey  to select Back, or press the Home  button to exit the menu.



› Heading Offset for i-Pilot Link

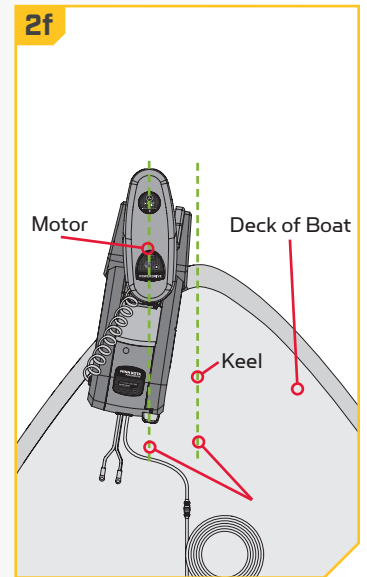
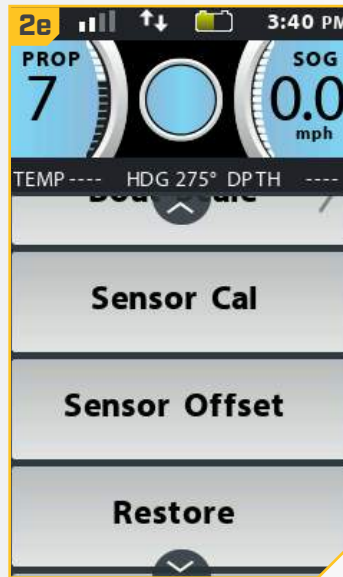
1

- On the i-Pilot Link remote, press the Home  button.
- Scroll through the Content Area using either your finger or the Screen Navigation  button to find the System  button.
- Select the System  button using either your finger or by pressing the Ok  button to open the System Menu.



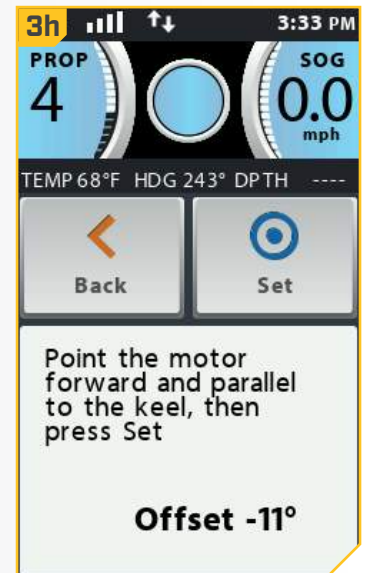
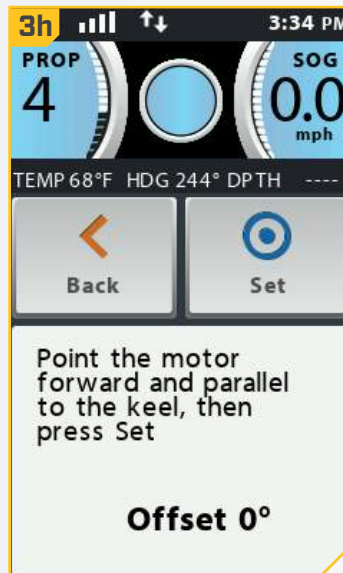
2

- d. Once in the System Menu, scroll through to find the Sensor Offset option, and select it.
- e. The Sensor Offset options appear.
- f. Follow the on-screen prompts. Turn the motor so that it is pointing forward and parallel with the Keel of the boat.
- g. If the current Offset is greater than the allowable range, the Offset cannot be recorded.



3

- h. Once they are parallel, select the Set button. Once set, the Offset on the bottom right of the Display Screen will update. The Sensor Offset will automatically adjust. In the event of an error, correct the Offset to fit within the tolerance allowed.
- i. Press the Home button to exit the menu.

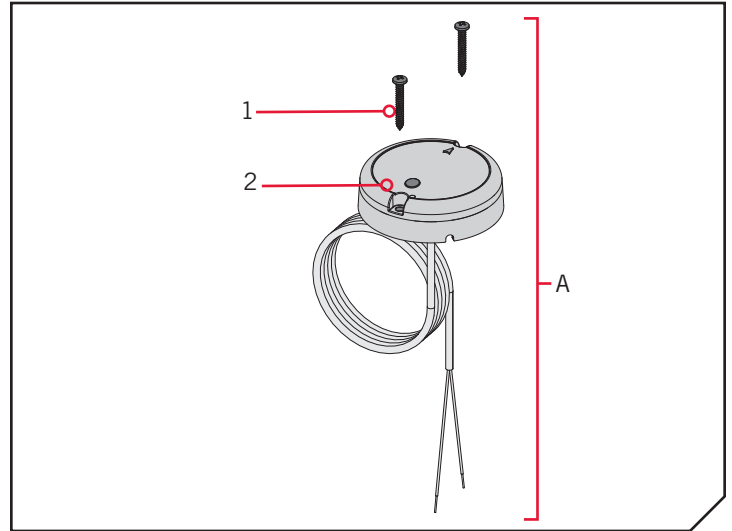


The Bluetooth® word mark and logos are registered trademarks owned by Bluetooth SIG, Inc. and any use of such marks by Johnson Outdoors, Inc. is under license. Other trademarks and trade names are those of their respective owners.
For warranty information please visit minnkotamotors.com.



Compatible avec les systèmes i-Pilot® et i-Pilot® Link™ compatibles et équipés de Bluetooth®

Article/ Ensemble	N° de Pièce	Description	Qté
A	2996400	HEADING SENSOR ASSEMBLY	1
1	2393400	SCREW-#8-18X1-1/2 PPH TY AB SS *STAINLESS STEEL*	2
2	✘	HEADING SENSOR	1



✘ Cette pièce est incluse dans un ensemble et ne peut pas être commandée individuellement.

PRINCIPE DE FONCTIONNEMENT

FONCTIONS DU CAPTEUR DE CAP

Le capteur de cap Minn Kota fournit de l'information sur le cap du bateau à un moteur Minn Kota équipé d'un système i-Pilot ou i-Pilot Link compatible Bluetooth. Il possède une boussole qui détecte le cap du bateau. Le système i-Pilot ou i-Pilot Link utilise le cap pour des fonctions de navigation comme Spot-Lock Jog. Le capteur de cap ne contient pas de récepteur GPS, et ne modifie pas ni ne contrôle l'orientation du bateau. Le capteur de cap Minn Kota peut uniquement communiquer avec les autres produits Minn Kota compatibles Bluetooth.

AVIS : Le capteur de cap n'est pas standard avec tous les modèles. On peut l'acheter en tant qu'accessoire. Pour en apprendre davantage sur les accessoires de Minn Kota, veuillez visiter www.minnkotamotors.com.

AVERTISSEMENT

Il ne faut pas utiliser le capteur de cap en tant qu'aide à la navigation pour prévenir les collisions, l'échouement, les dommages au bateau ou les blessures. Lorsque le bateau se déplace, la profondeur de l'eau pourrait changer trop rapidement pour que vous ayez le temps de réagir. Naviguez toujours à des vitesses très basses si vous soupçonnez que l'eau est peu profonde ou qu'il y a des objets submergés.

N'installez pas le capteur de cap près de métaux ferreux ou de tout autre objet qui pourrait créer un champ ou une interférence magnétiques. Le capteur de cap doit être installé à 24 po (61 cm) ou plus des matériaux magnétiques ou ferreux sur le bateau, y compris la base du moteur. On doit aussi éviter l'installation à proximité des fils de sortie du moteur en raison des champs magnétiques qui sont créés lors de situations de consommation élevée de courant.

FACTEURS DE MONTAGE

Avant d'installer votre capteur de cap, tenez compte des facteurs suivants :

1. Le capteur de cap contient une boussole qui détecte un champ magnétique. N'installez pas le capteur de cap près de métaux ferreux ou de câbles qui transportent de puissants courants, comme des batteries ou des câbles d'alimentation.
2. Pour une performance maximale, installez le capteur de cap dans un endroit ayant une ligne de communication libre avec la

ATTENTION

Les aimants et les grands objets de métal ferreux peuvent nuire au fonctionnement du capteur de cap. N'installez pas le capteur de cap à moins de 24 po (61 cm) de ceux-ci, car ils causeront une interférence.

tête du moteur sur lequel est installé un système i-Pilot compatible Bluetooth.

3. Assurez-vous que la zone sous l'emplacement d'installation est horizontale, qu'on peut y percer des trous et que la quincaillerie d'installation n'endommagera pas de composantes en place sous la surface de montage.
4. Vérifiez que le câble d'alimentation du capteur de cap est assez long pour atteindre la source d'alimentation à partir de l'emplacement de montage désiré. Si le câble ne se rend pas jusqu'à la batterie ou à la source d'alimentation prévue, choisissez un emplacement plus près de la source.
5. Montez le capteur de cap de façon horizontale. Il ne doit pas être monté à l'envers.

OUTILS ET RESSOURCES NÉCESSAIRES >

- Perceuse
- Mèche de 1/4 po (6,4 mm)
- Tournevis n° 2
- Mèche de 9/64 po (3,6 mm)
- Poinçon ou autre outil de marquage semblable
- Silicone de qualité marine

INSTALLATION >

OPTIONS DE MONTAGE

Il y a deux options pour installer le capteur de cap. Établissez si le câble d'alimentation du capteur de cap passera sous la surface de montage.

1. **Accès sous l'emplacement de montage** - Lorsque vous installez le capteur de cap avec cette option, les câbles d'alimentation provenant du capteur de cap passeront sous la surface de montage. Choisissez cette option uniquement si on peut accéder aux câbles après qu'ils aient été passés au travers de la surface de montage. Suivez les instructions dans la section Installation avec accès sous l'emplacement de montage de ce feuillet d'instruction.
2. **Sans accès sous l'emplacement de montage** - Les câbles d'alimentation du capteur de cap seront acheminés vers le côté, car il n'y a pas d'espace pour passer les fils sous l'emplacement de montage, ou la zone sous l'emplacement de montage n'est pas accessible. Suivez les instructions de la section Installation sans accès sous l'emplacement de montage de ce feuillet d'instruction.

Il est important d'examiner les facteurs de montage et de tester le câble d'alimentation avant l'installation.

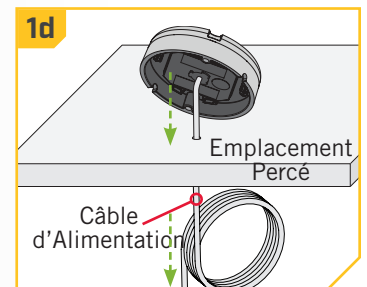
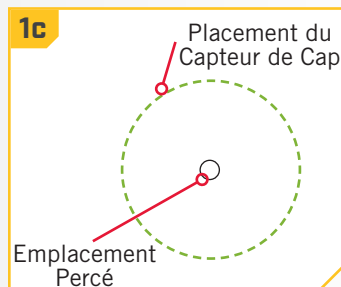
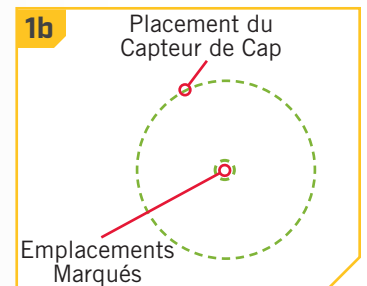
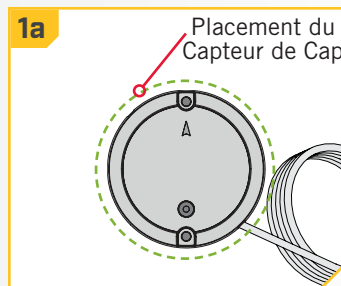
> Installation Avec Accès Sous l'Emplacement de Montage

1

ARTICLE(S) REQUIS



- a. Passez en revue les facteurs d'installation, puis placez le capteur de cap (Article n° 2) à plat sur l'emplacement de montage sélectionné et notez l'emplacement.
- b. Enlevez le capteur de cap et marquez un point avec un poinçon ou un outil de marquage semblable sous l'emplacement de montage, où le câble d'alimentation passera au travers de la surface.
- c. À l'aide d'une perceuse avec une mèche de 1/4 po (6,4 mm), percez un trou au travers de l'emplacement de montage.
- d. Acheminez le câble d'alimentation au travers du trou percé et introduisez tout le câble jusqu'à ce que le capteur de cap repose à plat sur l'emplacement de montage et que tout le câble soit passé au travers du trou percé.



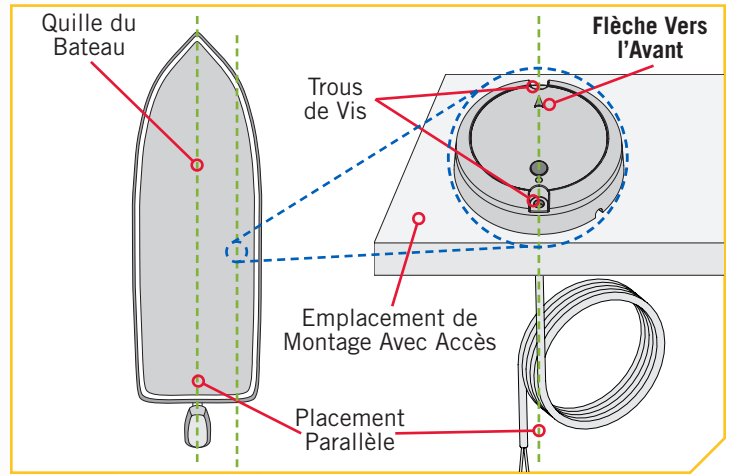
2

- e. Placez le capteur de manière à ce que la flèche sur le couvercle pointe vers l'avant du bateau, dans le sens du déplacement. **La flèche doit être parallèle à la quille du bateau.**

⚠ ATTENTION

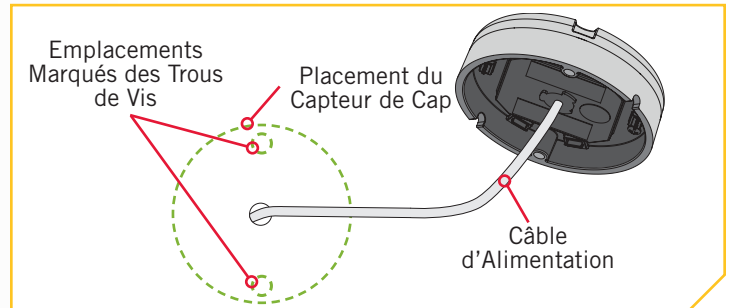
Un mauvais alignement du capteur de cap mènera à des lectures incorrectes de la boussole.

- f. Marquez l'emplacement des deux trous de vis avec un poinçon ou un autre outil de marquage semblable.



3

- g. Mettez le capteur de cap de côté et percez deux trous à l'aide d'une mèche de 9/64 po (3,6 mm) aux emplacements marqués.

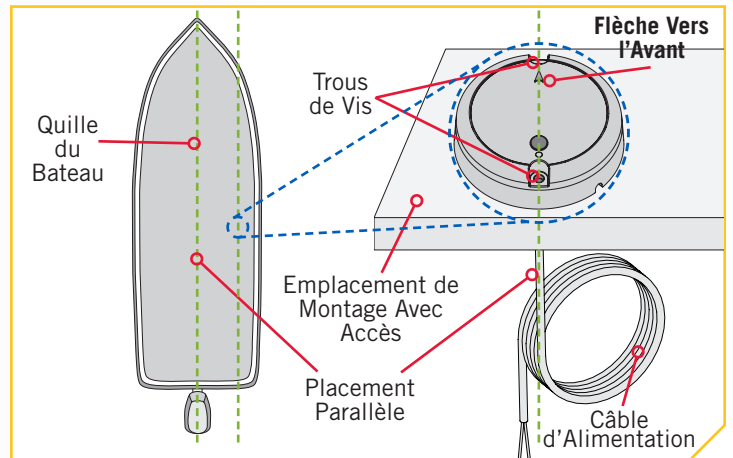


4

- h. Remettez le capteur de cap en place de manière à ce que les trous percés dans l'emplacement de montage s'alignent avec les trous dans le capteur de cap et que le câble d'alimentation soit entièrement passé dans le trou. **Assurez-vous de monter le capteur de manière à ce que la flèche pointe vers l'avant du bateau et qu'elle soit parallèle à la quille du bateau.**

⚠ ATTENTION

Un mauvais alignement du capteur de cap mènera à des lectures incorrectes de la boussole.



⚠ ATTENTION

Si la surface de montage est mince ou faite d'un matériau léger, il faudra probablement la renforcer afin qu'elle supporte le capteur de cap. Serrez la vis de montage à la main pour éviter un serrage excessif et pour empêcher les dommages à l'emplacement de montage et au capteur de cap.

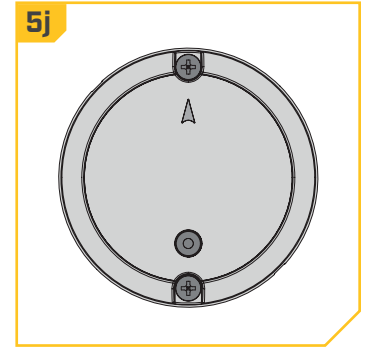
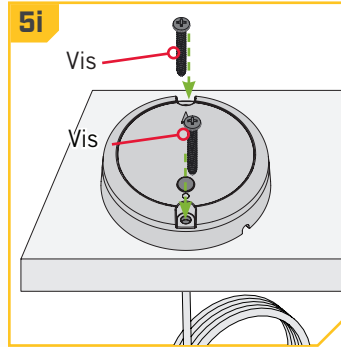
5

ARTICLE(S) REQUIS

 #1 x 2

- i. Appliquez un scellant ou un calfeutrage de silicone de qualité marine aux deux vis n° 8 - 18 x 1 1/2 (3,81 cm) [article n° 1] tel que requis afin de protéger votre bateau contre les dommages causés par l'eau.
- j. En utilisant un tournevis n° 2 et les deux vis, montez le capteur de cap à l'emplacement de montage. Serrez uniquement à la main.

AVIS : S'il faut utiliser des vis de remplacement, assurez-vous qu'elles sont fabriquées en acier inoxydable non magnétique de haute qualité.



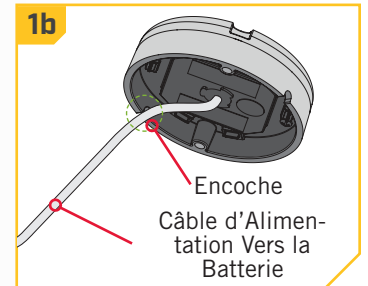
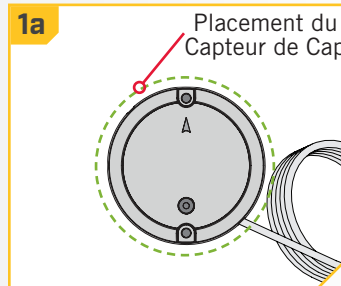
Installation Sans Accès Sous l'Emplacement de Montage

1

ARTICLE(S) REQUIS

 #2 x 1

- a. Passez en revue les facteurs d'installation, puis placez le capteur de cap (Article n° 2) à plat sur l'emplacement de montage et notez son emplacement.
- b. Acheminez le câble d'alimentation par une des deux encoches dans la base du capteur de cap. Lorsque la flèche sur le capteur de cap pointe vers l'avant du bateau, le câble devrait sortir du capteur de cap dans le sens le plus près de la source d'alimentation prévue.

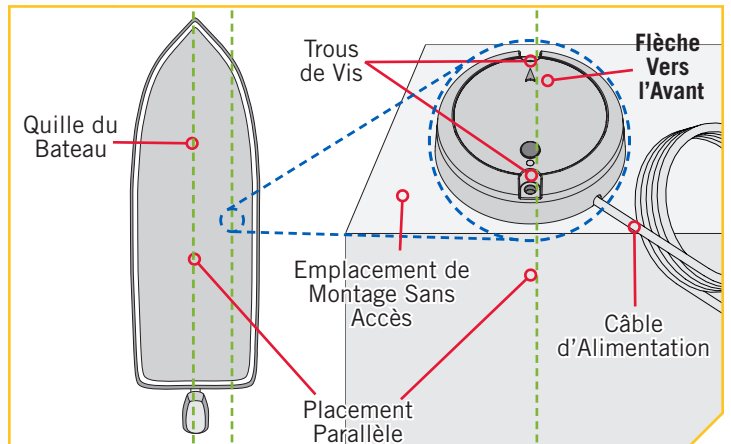


2

- c. Vérifiez à nouveau la position du capteur de cap; assurez-vous que la flèche sur le couvercle pointe vers l'avant du bateau, dans le sens de déplacement. La flèche doit être parallèle à la quille du bateau.

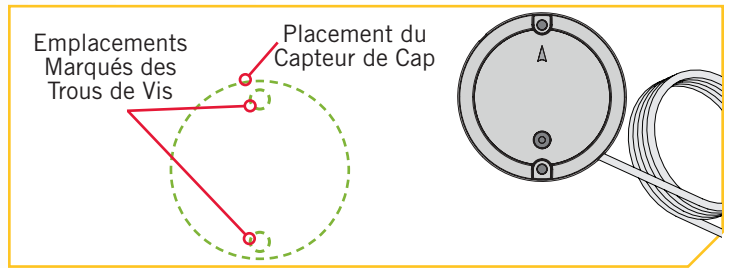
ATTENTION

Un mauvais alignement du capteur de cap mènera à des lectures incorrectes de la boussole.



3

- d. Marquez l'emplacement des deux trous de vis avec un poinçon ou un autre outil de marquage semblable.
- e. Mettez le capteur de cap de côté et percez deux trous à l'aide d'une mèche de 9/64 po (3,6 mm) aux emplacements marqués.

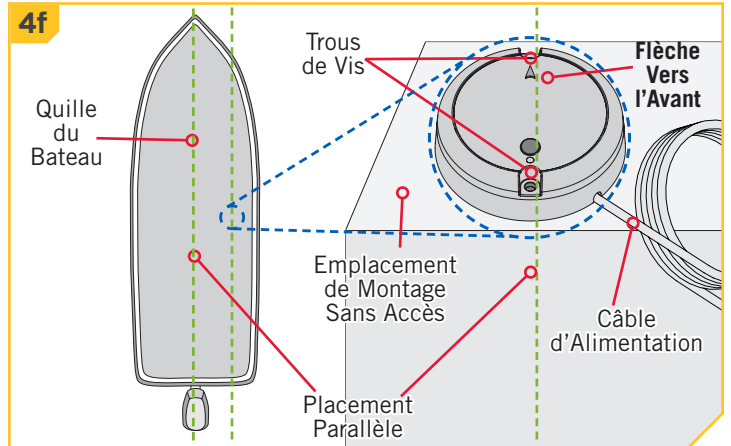


4

ARTICLE(S) REQUIS



- f. Remettez le capteur de cap en place de manière à ce que les trous percés dans l'emplacement de montage s'alignent avec les trous dans le capteur de cap. Assurez-vous de monter le capteur de manière à ce que la flèche pointe vers l'avant du bateau et qu'elle soit **alignée avec la quille du bateau**.
- g. Appliquez un scellant ou un calfeutrage de silicone de qualité marine aux deux vis n° 8 - 18 x 1 1/2 (3,81 cm) (Article n° 1) tel que requis afin de protéger votre bateau contre les dommages causés par l'eau.



ATTENTION

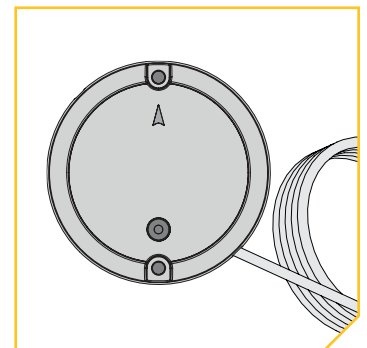
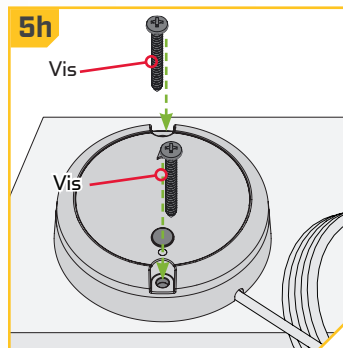
Un mauvais alignement du capteur de cap mènera à des lectures incorrectes de la boussole.

5

- h. En utilisant un tournevis n° 2 et les deux vis, montez le capteur de cap à l'emplacement de montage. Serrez uniquement à la main.

ATTENTION

Si la surface de montage est mince ou faite d'un matériau léger, il faudra probablement la renforcer afin qu'elle supporte le capteur de cap. Serrez la vis de montage à la main pour éviter un serrage excessif et pour empêcher les dommages à l'emplacement de montage et au capteur de cap.

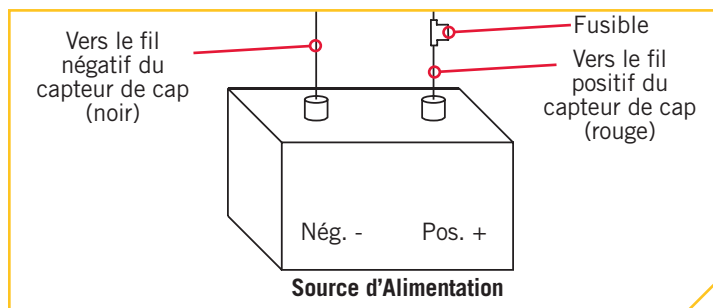


AVIS : S'il faut utiliser des vis de remplacement, assurez-vous qu'elles sont fabriquées en acier inoxydable non magnétique de haute qualité.

Connexion du Capteur de Cap à une Source d'Alimentation

Le capteur de cap est alimenté par une source d'alimentation de 12 volts. Le capteur de cap doit être configuré avec un fusible d'un ampère, soit en ligne, soit branché à un tableau de fusibles. Pour brancher le capteur de cap, veuillez suivre les directives ci-dessous.

1. Raccordez le fil rouge positif (+) à la borne positive (+) de la source d'alimentation.
2. Raccordez le fil noir négatif (-) à la borne négative (-) de la source d'alimentation.



AVERTISSEMENT

Ne connectez jamais les bornes (+) et (-) de la même batterie ensemble. Assurez-vous qu'aucun objet métallique ne puisse tomber sur la batterie et provoquer un court-circuit entre les bornes. Cela provoquerait immédiatement un court-circuit et un risque extrême d'incendie.

COMMUNICATION DU CAPTEUR DE CAP >

SÉQUENCES LUMINEUSES

Le capteur de cap affiche les modes de fonctionnement grâce à une DEL située sur le bouton Couplage (Pair). La DEL affiche trois séquences distinctes pour indiquer les différents modes de fonctionnement. Familiarisez-vous avec les modes de fonctionnement pour vous assurer que le capteur de cap est sous tension et communique avec le système i-Pilot ou i-Pilot Link.

Voici les trois séquences qu'affiche la DEL du capteur de cap :

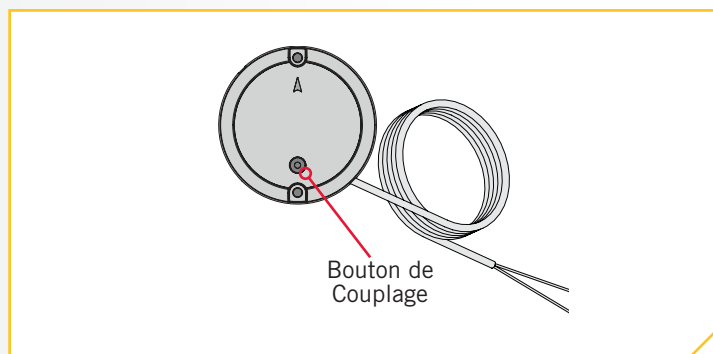
1. Sous tension – Lorsque le capteur de cap est connecté à une source d'alimentation pour la première fois, la DEL s'allumera pendant 3 secondes puis s'éteindra.
2. Couplage – Le capteur de cap peut être couplé avec les systèmes i-Pilot et i-Pilot Link. Lorsque le capteur de cap tente de se coupler, la DEL clignotera deux fois par seconde pendant un maximum de 20 secondes. Si le couplage du capteur de cap réussit, le fonctionnement normal commencera. Si le capteur de cap n'est pas couplé, la DEL s'éteindra.
3. Fonctionnement normal – pendant le fonctionnement normal, lorsque le capteur de cap est connecté à une source d'alimentation, couplé à un système i-Pilot ou i-Pilot Link et communiquant avec celui-ci, la DEL du capteur de cap clignotera toutes les 3 secondes.

CONFIGURATION DU CAPTEUR DE CAP >

Couplage Du Capteur De Cap

Avant le couplage du capteur de cap, assurez-vous qu'il est bien installé et connecté à une source d'alimentation. Examinez les séquences de la DEL indiquées par le capteur de cap afin de comprendre le mode dans lequel il se trouve et d'être en mesure de reconnaître un couplage réussi après la fin de ce processus. Pour coupler le capteur de cap :

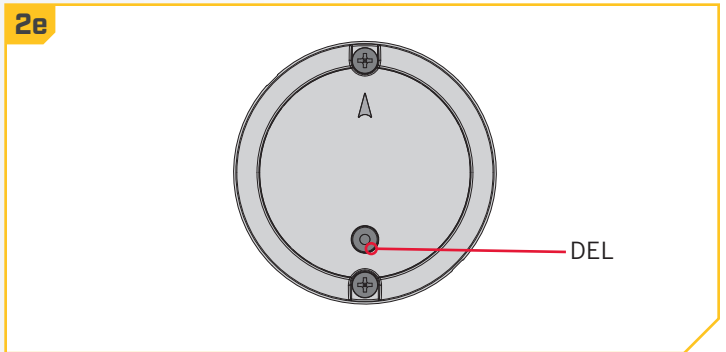
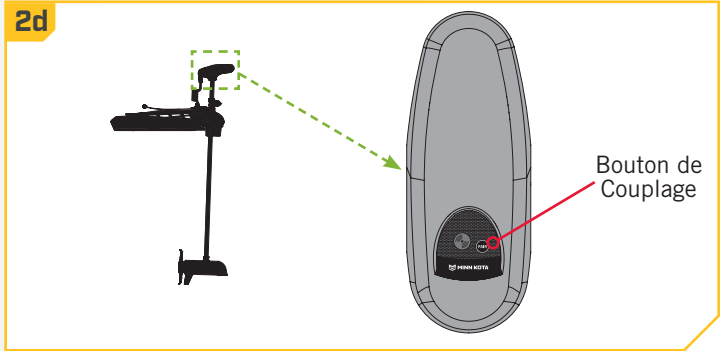
- 1
 - a. Connectez le capteur de cap à une source d'alimentation. Assurez-vous que la DEL sur le capteur de cap s'allume pendant 3 secondes puis s'éteint.
 - b. Mettez le propulseur électrique sous tension. Veuillez consulter le manuel du propriétaire du propulseur électrique pour savoir comment mettre le propulseur électrique sous tension.
 - c. Appuyez sur le bouton Couplage (Pair) sur le capteur de cap. Vérifiez que la DEL indique qu'il tente de se coupler.



2

- d. Aussi rapidement que possible, appuyez sur le bouton de couplage sur la tête de contrôle du système i-Pilot ou i-Pilot Link, et gardez-le enfoncé.
- e. La tête de contrôle du système i-Pilot ou i-Pilot Link émettra une séquence de bips lorsque le couplage avec le capteur de cap est réussi. Relâchez le bouton de couplage sur la tête de contrôle. Examinez le capteur de cap pour vous assurer que, une fois le couplage réussi, il émet la séquence lumineuse DEL indiquant un fonctionnement normal.
- f. Lorsque le capteur de cap est couplé au système i-Pilot ou i-Pilot Link, passez à la calibration du capteur et au décalage du capteur.

AVIS : Si l'alimentation de la batterie est coupée, le capteur de cap ne perdra pas son couplage avec le système i-Pilot ou i-Pilot Link lorsqu'il est mis hors tension.



CALIBRATION DU CAPTEUR DE CAP

La calibration du capteur de cap peut être lancée avec la télécommande du système i-Pilot ou i-Pilot Link. Consultez le manuel du propriétaire de votre moteur si vous ne savez pas avec certitude quel système i-Pilot est livré avec votre moteur. Vous devrez calibrer le capteur de cap pendant que votre bateau est sur l'eau. La calibration du capteur de cap doit toujours être effectuée lorsque le propulseur électrique et le capteur de cap ont été montés, mais avant le décalage du capteur de cap. Le capteur de cap doit être connecté à une source d'alimentation et couplé avec la tête de commande du propulseur électrique avant le début du processus. Pour le processus de calibration, le bateau doit effectuer deux cercles complets : planifiez en conséquence lors de la préparation de ce processus. Pour exécuter ce processus, lisez toutes les mises en garde et suivez la procédure ci-dessous.

AVERTISSEMENT

Vous seul êtes responsable de la navigation sécuritaire et prudente sur votre bateau. Nous avons conçu votre Minn Kota pour qu'il soit un outil précis et fiable qui vous permettra d'améliorer l'utilisation de votre bateau et d'accroître votre capacité de pêcher des poissons. Ce produit ne vous exonère pas de la responsabilité de naviguer en toute sécurité avec votre bateau. Vous devez éviter les dangers liés à la navigation et toujours exercer une veille permanente afin de pouvoir réagir au fur et à mesure que les situations se présentent. Vous devez toujours être prêt à reprendre le contrôle manuel de votre bateau. Apprenez à utiliser votre Minn Kota dans une zone exempte de dangers et d'obstacles.

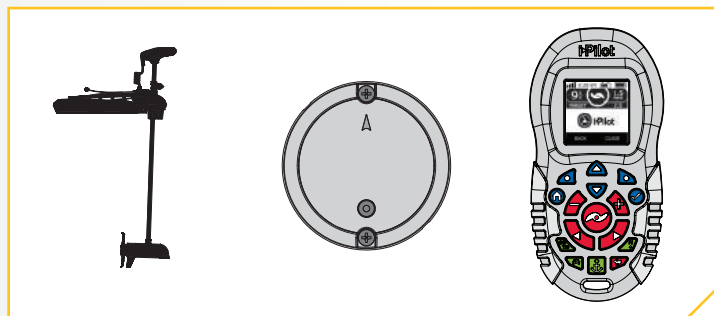
AVERTISSEMENT

Veillez à ce que ni vous ni d'autres personnes ne s'approchent trop près de l'hélice en rotation, que ce soit seulement avec une partie du corps ou des objets. Le moteur est puissant et pourrait provoquer des situations périlleuses ou des blessures, pour vous ou les autres. Lorsque le moteur est en marche, se méfier des objets flottants ou des personnes qui pourraient être en train de nager. Les personnes, dont les réactions ou la capacité à faire fonctionner le moteur est/sont affaiblie(s) par l'alcool, la drogue, les médicaments ou d'autres substances, ne sont pas autorisées à utiliser ce moteur.

Calibration du Capteur de Cap pour le Système i-Pilot

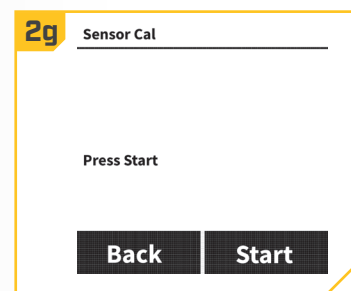
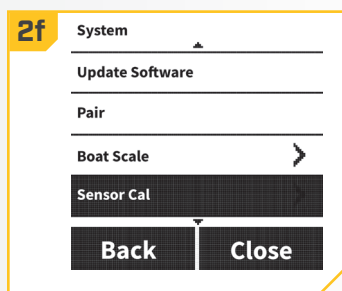
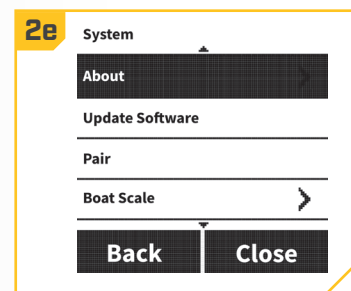
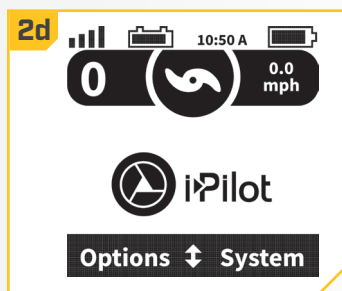
1

- Lisez toutes les consignes de sécurité, puis dirigez votre bateau vers une zone libre d'obstacles sur le plan d'eau.
- Mettez le propulseur électrique sous tension conformément aux instructions du manuel du propriétaire. Assurez-vous que le capteur de cap est également sous tension et couplé avec le propulseur électrique.
- Allumez la télécommande de votre système i-Pilot.



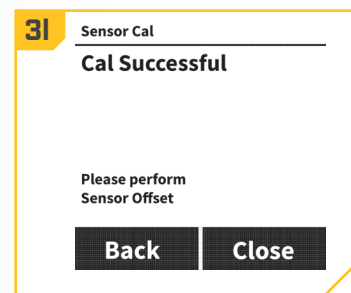
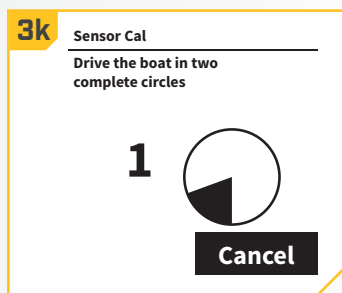
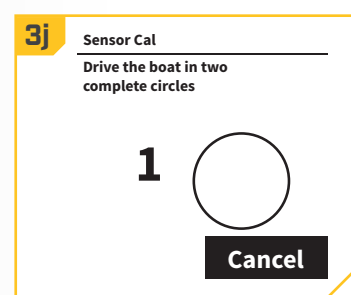
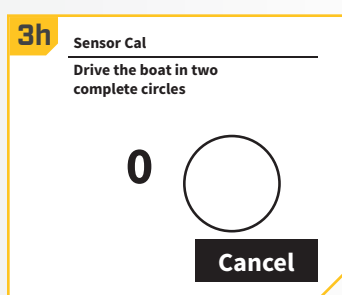
2

- Sur la télécommande i-Pilot, utilisez les flèches directionnelles pour vous déplacer dans le menu et vous rendre au menu Système (System) au bas de l'écran.
- Utilisez la touche de droite pour accéder au menu Système (System).
- Utilisez les flèches directionnelles pour trouver le menu Cal. du capteur (Sensor Cal) au bas de l'écran. Utilisez le bouton Ok pour le sélectionner.
- L'écran Cal. du capteur (Sensor Cal) s'affichera.



3

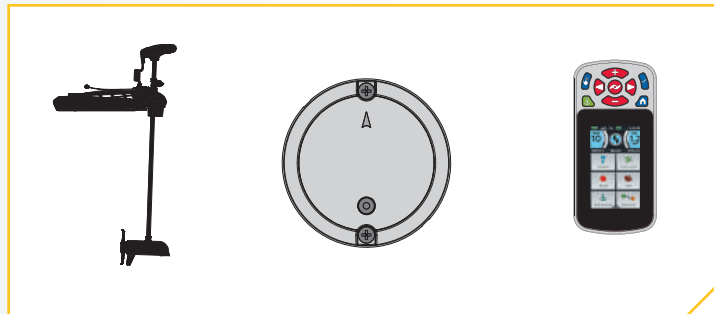
- Utilisez la touche de droite pour sélectionner le menu Démarrer (Start).
- Lisez toutes les consignes de sécurité, puis suivez les directives à l'écran et faites faire deux cercles complets au bateau.
- La gauche de l'écran contient un compteur indiquant le nombre de tours complets effectués par le bateau : ce compteur passera de 0 à 1 puis à 2 lorsque les cercles sont effectués.
- Le cercle à droite de l'écran indiquera la progression du bateau dans le tour actuel, se remplissant comme un diagramme circulaire tandis que le bateau effectue les tours.
- Une fois les deux cercles terminés, l'écran indiquera Cal. réussie (Cal Successful).





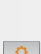


› Calibration du Capteur de Cap pour le Système i-Pilot Link

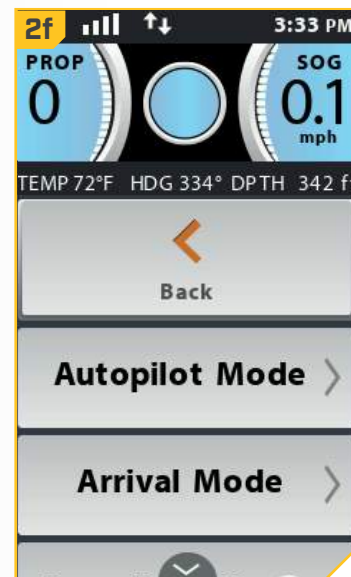
1

- Lisez toutes les consignes de sécurité, puis dirigez votre bateau vers une zone libre d'obstacles sur le plan d'eau.
- Mettez le propulseur électrique sous tension conformément aux instructions du manuel du propriétaire. Assurez-vous que le capteur de cap est également sous tension et couplé avec le propulseur électrique.
- Activez la télécommande de votre système i-Pilot ou i-Pilot Link.





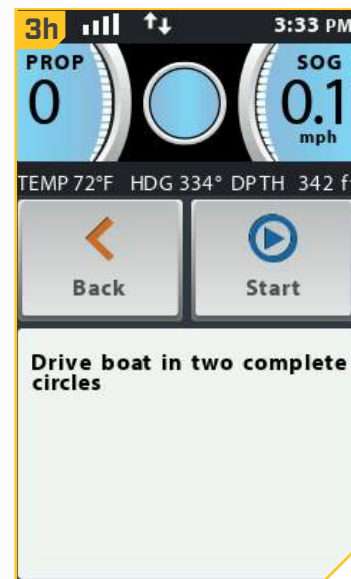
2



- Sur la télécommande du i-Pilot Link, appuyez sur le bouton Accueil .
- Faites défiler la zone de contenu avec le doigt ou le bouton de navigation de l'écran  pour trouver le bouton Système .
- Sélectionnez le bouton Système  avec le doigt ou en appuyant sur le bouton Ok  pour ouvrir le menu du système.

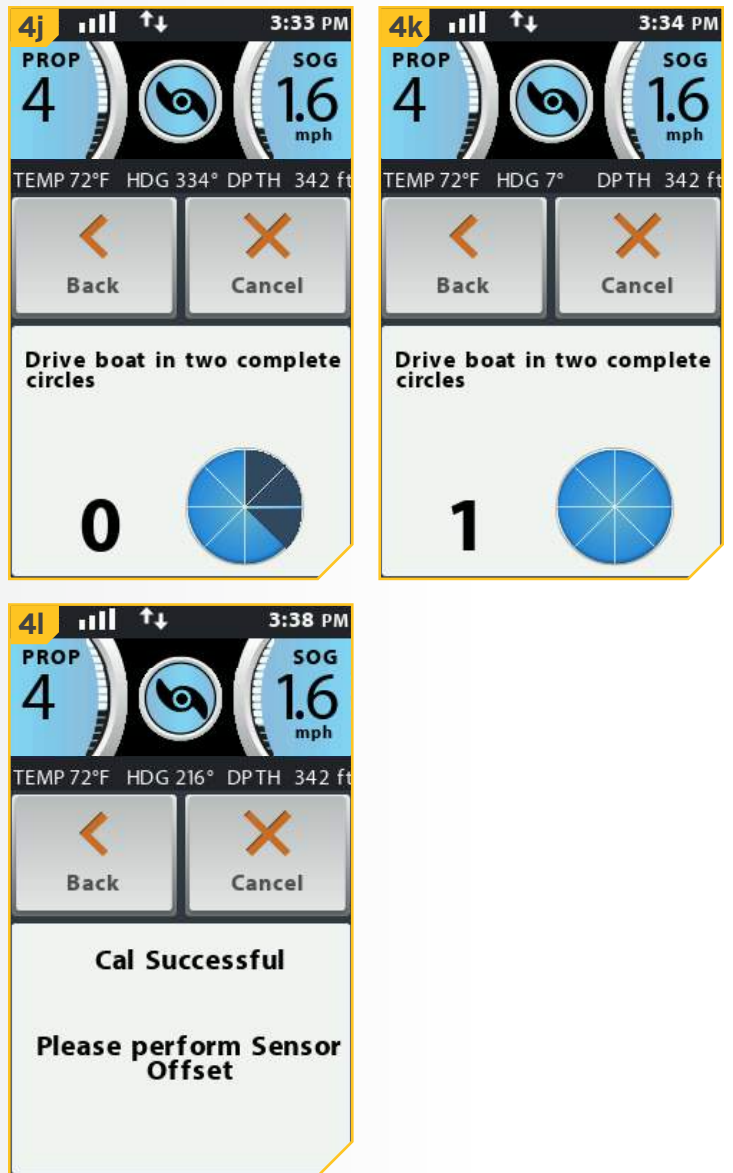


3

- Dans le menu du système, faites défiler pour trouver l'option Cal. du capteur  et sélectionnez-la.
- Les options de Cal. du capteur s'affichent. Afin d'effectuer la calibration du capteur, le bateau doit faire deux tours complets.
- Lisez toutes les consignes de sécurité, puis suivez les directives à l'écran et faites faire deux cercles complets au bateau. Suivez les instructions à l'écran et sélectionnez le bouton Démarrer .



- j. Le cercle à la droite de l'écran indiquera la progression du bateau dans le tour actuel, se remplissant comme un diagramme circulaire alors que le bateau effectue les tours.
- k. La gauche de l'écran contient un compteur indiquant le nombre de tours complets effectués par le bateau et le compteur passera de 0 à 1 puis à 2 lorsque les tours sont effectués.
- l. Une fois les deux cercles terminés, l'écran indiquera Cal. réussie (Cal Successful). Pour quitter le menu, sélectionnez soit le bouton Retour  ou Accueil .



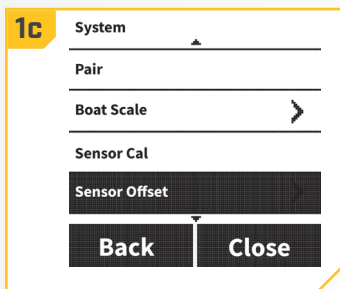
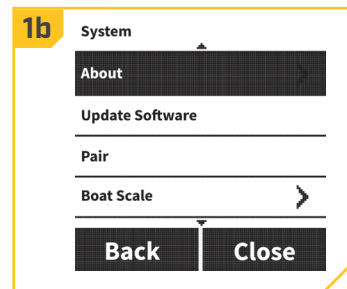
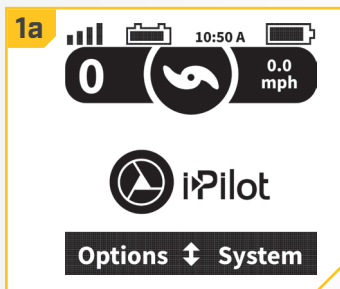
DÉCALAGE DE CAP

Une fois le capteur de cap calibré, le décalage de cap doit être réglé. Le décalage de cap est la différence entre l'angle de la quille du bateau et l'angle auquel le capteur de cap est monté sur le pont du bateau. Pendant l'installation, le capteur de cap a été placé de manière à être aussi parallèle à la quille du bateau que possible. Si le bateau et le capteur de cap sont parfaitement parallèles et pointent exactement dans le même sens, le décalage sera parfait : 0 degré. Puisque les installations ne sont jamais parfaites, vous pouvez régler le décalage de cap grâce à la télécommande du système i-Pilot ou i-Pilot Link pour compenser la différence entre les deux. Le décalage de cap peut corriger une différence allant de +30 jusqu'à -30 degrés.

› Décalage de Cap Pour le Système i-Pilot

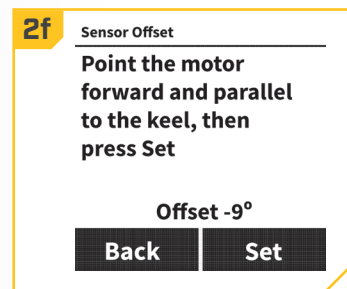
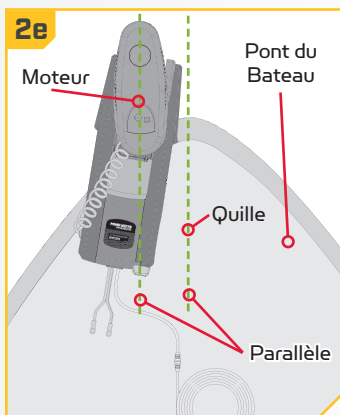
1

- Sur la télécommande i-Pilot, utilisez les flèches directionnelles pour vous déplacer dans le menu et vous rendre au menu Système (System) au bas de l'écran.
- Utilisez la touche de droite pour accéder au menu Système (System).
- Utilisez les flèches directionnelles pour trouver le menu Décalage de capteur (Sensor Offset) au bas de l'écran. Utilisez le bouton Ok pour le sélectionner.



2

- L'écran Décalage de capteur (Sensor Offset) s'affichera.
- Tournez le moteur de manière à ce qu'il soit parallèle à la quille du bateau.
- Utilisez la touche de droite pour accéder au menu Régler (Set).
- Le décalage du capteur s'ajustera automatiquement. Utilisez la touche de gauche pour sélectionner Retour (Back), ou appuyez sur le bouton Accueil (Home) pour quitter le menu.




› Décalage de Cap Pour le Système i-Pilot Link

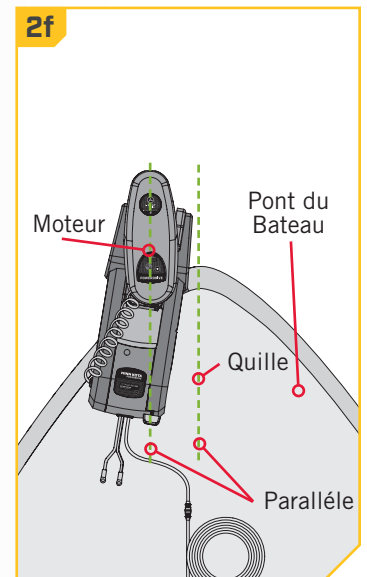
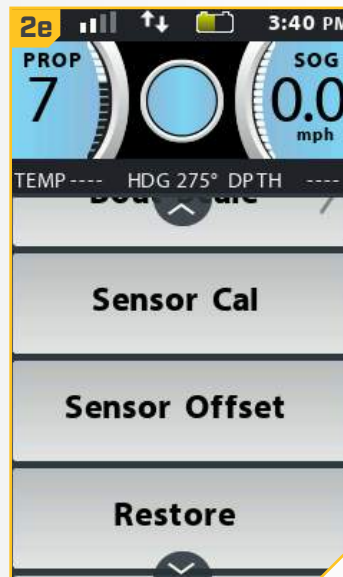
1

- Sur la télécommande du i-Pilot Link, appuyez sur le bouton Accueil .
- Faites défiler la zone de contenu avec le doigt ou le bouton de navigation de l'écran pour trouver le bouton Système .
- Sélectionnez le bouton Système avec le doigt ou en appuyant sur le bouton Ok pour ouvrir le menu du système.





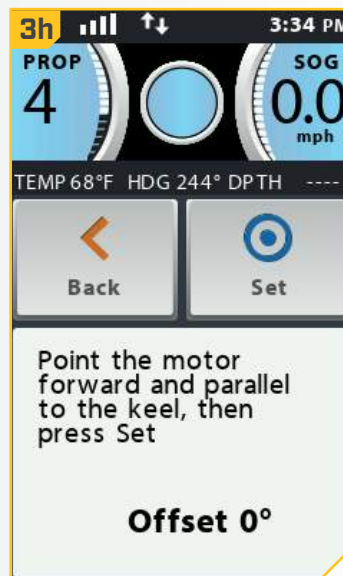
2

- d. Dans le menu du système, faites défiler pour trouver l'option Décalage du capteur  et sélectionnez-la.
- e. Les options de Décalage du capteur s'affichent.
- f. Suivez les instructions à l'écran. Tournez le moteur de manière à ce qu'il pointe vers l'avant et qu'il soit parallèle à la quille du bateau.
- g. Si le décalage actuel est supérieur à la portée permise, le décalage ne peut pas être enregistré.



3

- h. Lorsqu'ils sont parallèles, sélectionnez le bouton Régler . Une fois réglé, le décalage dans le coin inférieur droit de l'écran d'affichage sera mis à jour. Le décalage du capteur s'ajustera automatiquement. Dans le cas d'une erreur, corrigez le décalage pour respecter la tolérance permise.
- i. Appuyez sur le bouton Accueil  pour quitter le menu.



Les marques et les logos Bluetooth® sont des marques déposées appartenant à Bluetooth SIG, Inc. et toute utilisation de ces marques par Johnson Outdoors, Inc. est sous licence. Les autres marques et noms commerciaux appartiennent à leurs propriétaires respectifs. Pour obtenir des renseignements au sujet de la garantie, veuillez visiter minnkotamotors.com.

