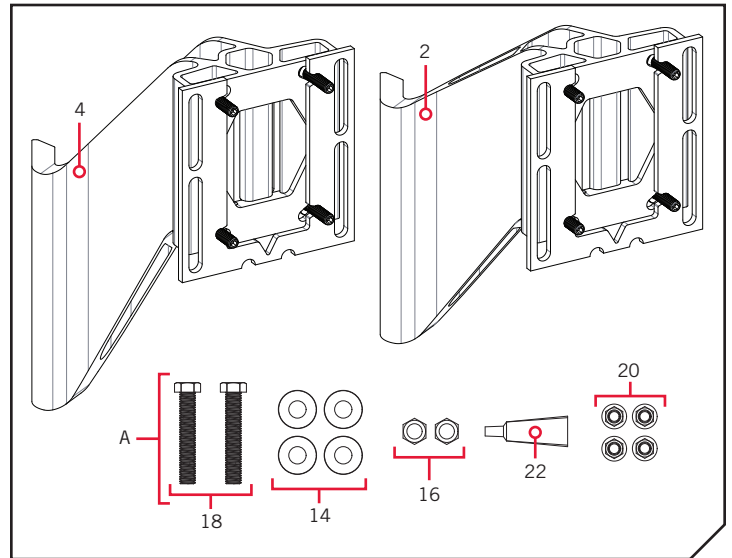


# RAPTOR STARBOARD 4" & 6" JACK PLATE BRACKET

## 1810360, 1810365, 1810362 & 1810367

The Raptor Starboard 4" & 6" Jack Plate Bracket installs directly to the Jack Plate on the Starboard side of your boat.

Item / Assembly	Part #	Description	Qty.
2	2351959	BRACKET,STRBD 2/4 PAINTED	1
	2351949	BRKT, STRBD 2/4. PAINT WHT *white*	1
4	2351958	BRACKET,STRBD 2/6 PAINTED	1
	2351948	BRKT, STRBD 2/6. PAINT WHT *white*	1
▲	2354910	INSTRC-INSTALL, JACKPLATE	1
6	2353411	SCREW-3/8-16X1.75 SET SSTL *PRE-INSTALLED*	4
8	2353103	NUT-3/8-16, ACORN SS *PRE-INSTALLED*	4
10	2371758	WASHER-3/8 HD FLAT SS *PRE-INSTALLED*	4
12	2352901	RETAINER,STUD,ANCHOR BRKT *PRE-INSTALLED*	1
A Items 14 - 22	2994939	BAG ASM,JACKPLATE HDW,RPTR	1
14	2371757	WASHER-1/2", HEAVY DUTY, SS	4
16	2373108	NUT-1/2-13, NYLOC, SS	2
18	2373519	BOLT-1/2-13 X 3" HHCS SS	2
20	2353102	NUT-3/8-16 FLANGE,NYLOK,SS	4
22	2378608	ANTI SEIZE TUBE, 4CC	1



✱ This part is included in an assembly and cannot be ordered individually.

▲ Not shown on Parts Diagram.

**NOTICE:** The kit purchased will contain **either** Item #2 **or** Item #4 based on if a 4" (1810360 or 1810365 - white) or 6" (1810362 or 1810367 - white) Starboard rise was selected. This kit is mounted directly to the Starboard side of a Jack Plate. It may also be mounted directly to a Raptor Universal Sandwich Adapter (1810372 or 1810377 - white). The Raptor 3" Setback Bracket (1810370 or 1810375 - white) may be added to these Jack Plate brackets for additional mounting options.

### TOOLS AND RESOURCES REQUIRED >

- Torque Wrench
- 1/2" Box End or Socket Wrench
- A second person to help with installation

### MOUNTING CONSIDERATIONS >

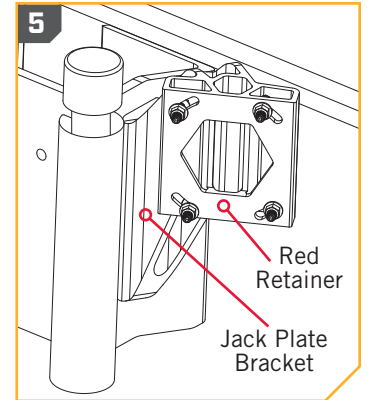
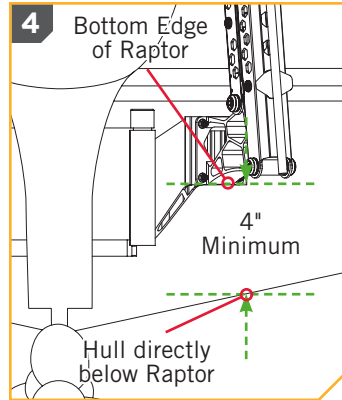
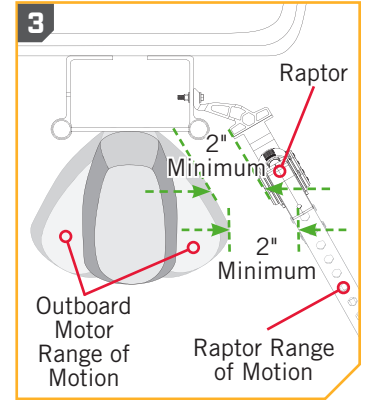
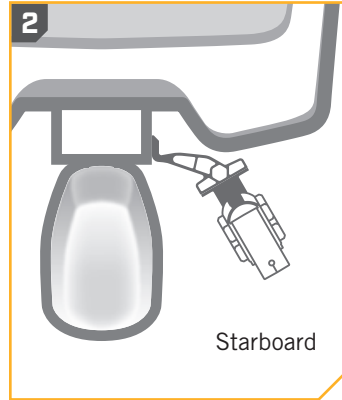
Before mounting your Raptor Jack Plate Bracket, please give consideration to the following:

1. The Jack Plate Bracket will only work with compatible Jack Plate designs and may not work with all Jack Plates. Please refer to the chart below for compatible Jack Plate designs. Instructions follow by Jack Plate style in the order listed in the chart. If your Jack Plate is not listed use of the Universal Sandwich Adapter (1810372 or 1810377 - white) either between the transom and Jack Plate, or between the Jack Plate and Outboard will be necessary.

Manufacturer	Model	Offset
TH Marine	Atlas Hydraulic	4" Thru 12"
	Z-Lock Manual	6" Thru 12"
R&R Designs	Slidemaster Manual	6" Thru 12"
Bob's Machine Shop	Action Series	6" Thru 14"
	Standard Series	6" Thru 14"

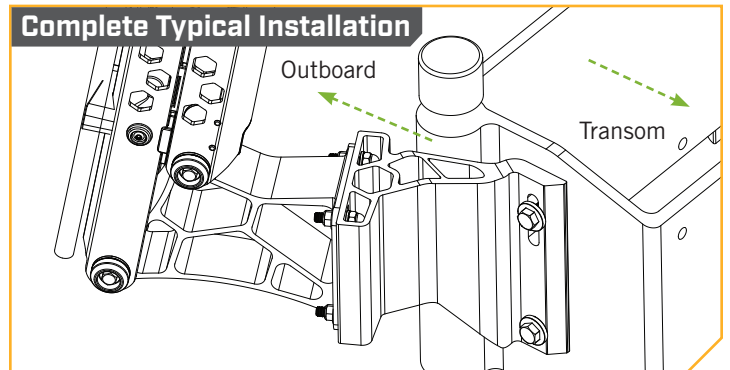
2. Examine the Starboard side of your Jack Plate. Identify the holes to be used for installation, if your Jack Plate does not have pre-drilled holes ensure that you will not drill into any obstructions and that the hardware will be accessible for assembly.
3. The Raptor must have a clear, unobstructed path to operate. Check to make sure that your proposed location will allow the anchor to deploy and retract without hitting trim tabs, poling platforms, ladders, the engine or other obstructions. You should also consider your fishing methods when selecting the mounting location. Make sure that no interference exists between the Raptor and your engine during normal operation. With the location selected, trim the engine all the way up and all the way down, and steer the engine fully to the left and right to confirm proper engine clearance. Ensure there is a minimum of two to three inches of clearance from any point on the Raptor in all states of stow and deploy.
4. The bottom edge of the Raptor should never be less than 4" above the hull directly below the Raptor to prevent spray and drag conditions. This applies to any mounting configuration used.
5. Keep the Red Retainer on the Jack Plate Bracket in place during the installation until instructed to remove it. For all installations paired with an additional bracket, the Jack Plate Bracket must be installed prior to installing the Raptor or additional brackets.

**NOTICE:** Check with your Jack Plate or Outboard manufacturer to determine if additional hardware is needed to accommodate installing this bracket. Longer mounting bolts than originally provided by the outboard manufacturer may be needed for proper installation. Drilling holes may be required to accept the Jack Plate Bracket and may void your manufacturer's warranty. Minn Kota is not responsible for damages that may result.



**NOTICE:** If installing an additional bracket to the Jack Plate Bracket, keep the Red Retainer in place and follow the instructions included with the additional bracket. Do not install the 3" Setback Bracket before completing the installation of the Jack Plate Bracket to the Jack Plate.

6. It may be necessary to remove a factory equipped E-ladder for proper bracket installation. Due to the wide variety of E-ladders, Minn Kota is not responsible for the re-installation or re-location of any factory equipped E-ladder.
7. Bob's Machine Shop Jack Plates require that holes be drilled to accept the Adapter Bracket. A spacer kit must be used to install correctly; see Minn Kota Spacer Block accessory Part #1810212 or equivalent from Bob's Machine Shop.

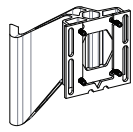


**NOTICE:** When mounting the Jack Plate Bracket to the Jack Plate it is recommended to review the additional mounting considerations for the complete installation of the Raptor. They can be found online at [minnkotamotors.com](http://minnkotamotors.com) in the "Installation" section of the Raptor Owner's Manual or Installation Instructions. They including how to mount the Hydraulic Pump and route the Hydraulic Hoses along with other recommendations.

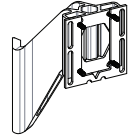
## > Installation to the Raptor Universal Sandwich Adapter

1

ITEM(S) NEEDED

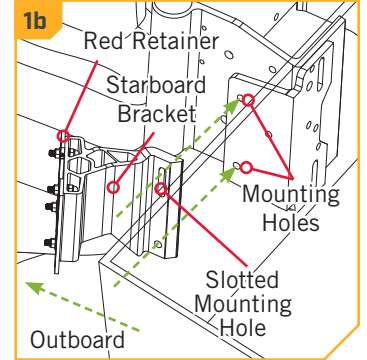
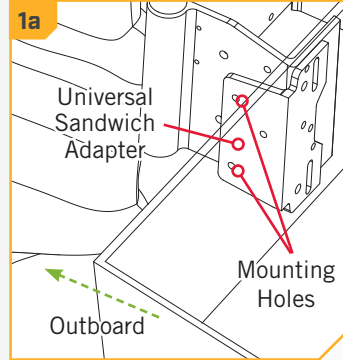


#2 x 1



#4 x 1

- a. This Starboard Jack Plate Bracket (Item #2 or Item #4) will only be used to mount the Raptor to the Universal Sandwich Adapter if it was installed so that the Sandwich Bracket was oriented to the Starboard side of the boat. If installed for a Starboard mount, locate the Mounting Holes on the side of the Sandwich Bracket.
- b. Take the Starboard Jack Plate Bracket and align it with the Mounting Holes in the Sandwich Bracket. Orientate the Starboard Bracket so that the Red Retainer is facing Outboard and the Slotted Mounting Hole is upward.



2

ITEM(S) NEEDED



#18 X 2



#14 x 4

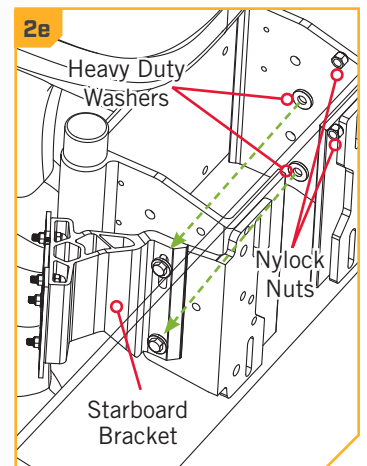
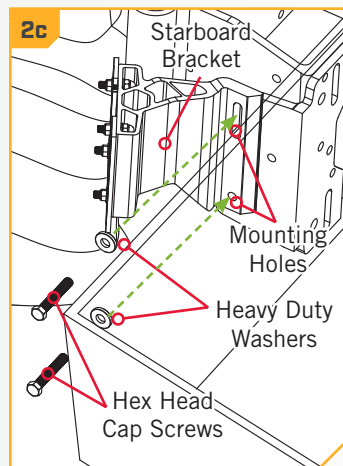


#16 x 2



#22 x 1

- c. With the Starboard Bracket aligned, take two 3" Stainless Steel Hex Head Cap Screws (Item #18) and two Heavy Duty Stainless Steel Washers (Item #14). Place one Heavy Duty Washer on each of the Hex Head Cap Screws. Apply anti-seize on the threads of the Hex Head Cap Screws (Item #22).
- d. Insert the Hex Head Cap Screws with the Heavy Duty Washers in place through the Mounting Holes in the Starboard Bracket and into the Mounting Holes on the Sandwich Bracket.
- e. Take two Heavy Duty Stainless Steel Washers (Item #14) and place one on the end of each Hex Head Cap Screw on the opposite side of the Sandwich Bracket. Secure the hardware with two Stainless Steel Nylock Nuts (Item #16). Hold the Nylock Nuts with a 1/2" Open End Wrench and tighten the Hex Head Cap Screws with a 1/2" Socket Wrench. Check with your specific equipment manufacturer for their recommended settings. Tighten hardware to 50 ft-lbs.
- f. Continue to the "Completing the Installation" section of these instructions.

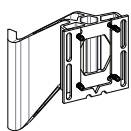


**NOTICE:** To prevent seizing of the stainless steel hardware, do not use high speed installation tools. Applying an anti-seize may help prevent seizing.

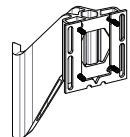
# Installation with an Atlas Hydraulic Jack Plate

1

**ITEM(S) NEEDED**

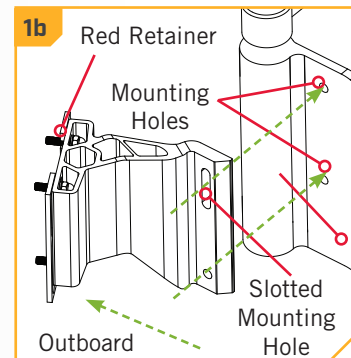
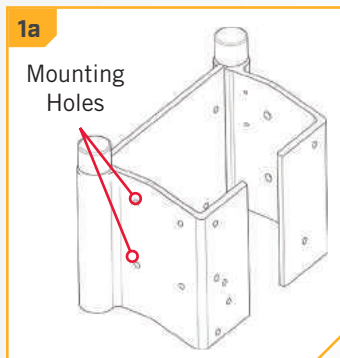


#2 x 1



#4 x 1

- a. Locate the Mounting Holes on the side of the Atlas Jack Plate Bracket. The Mounting Holes may be located under the Jack Plate decal.
- b. Take the Starboard Jack Plate Bracket (Item #2 or Item #4) and align it with the Mounting Holes in the Starboard side of the Jack Plate. Orientate the Starboard Bracket so that the Red Retainer is facing Outboard and the Slotted Mounting Hole is upward.



2

**ITEM(S) NEEDED**



#18 X 2



#14 x 4

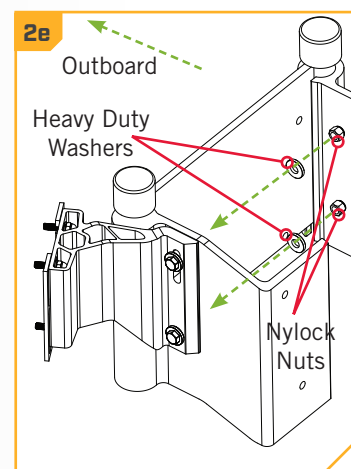
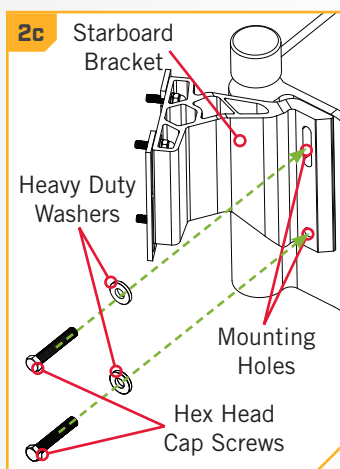


#16 x 2



#22 x 1

- c. With the Starboard Bracket aligned, take two 3" Stainless Steel Hex Head Cap Screws (Item #18) and two Heavy Duty Stainless Steel Washers (Item #14). Place one Heavy Duty Washer on each of the Hex Head Cap Screws. Apply anti-seize on the threads of the Hex Head Cap Screws (Item #22).
- d. Insert the Hex Head Cap Screws with the Heavy Duty Washers in place through the Mounting Holes in the Starboard Bracket and into the Mounting Holes on the Starboard Side of the Jack Plate.
- e. Take two Heavy Duty Stainless Steel Washers (Item #14) and place one on the end of each Hex Head Cap Screw on the inside of the Jack Plate. Secure the hardware with two Stainless Steel Nylock Nuts (Item #16). Hold the Nylock Nuts with a 1/2" Open End Wrench and tighten the Hex Head Cap Screws with a 1/2" Socket Wrench. Check with your specific equipment manufacturer for their recommended settings. Tighten hardware to 50 ft-lbs.
- f. Continue to the "Completing the Installation" section of these instructions.



**NOTICE:** To prevent seizing of the stainless steel hardware, do not use high speed installation tools. Applying an anti-seize may help prevent seizing.



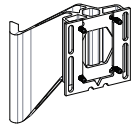
## › Installation with a Slidemaster Manual Jack Plate

# ⚠ CAUTION

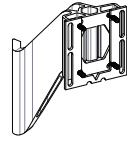
Support the Outboard before any work has begun on the bracket installation. An unsecured motor may cause harm from falling. Make sure that all hardware is replaced and/or secure before moving or operating the boat or Outboard once installation is complete.

### 1

#### ITEM(S) NEEDED



#2 x 1

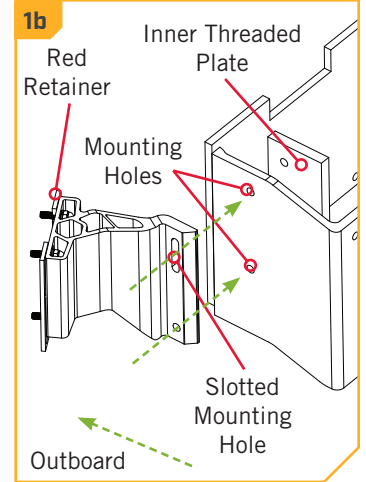


#4 x 1

- Locate the Mounting Holes on the Starboard side of the Slidemaster Manual Jack Plate. After supporting the Outboard, remove the hardware that is holding the Slide Bar and Inner Threaded Plate in place.

**NOTICE:** Any existing Side Bar should be removed and not reused. The Inner Threaded Plate that came with the Jack Plate will be reinstalled.

- Take the Starboard Jack Plate Bracket (Item #2 or Item #4) and align it with the Mounting Holes in the Starboard side of the Jack Plate. Orientate the Starboard Bracket so that the Red Retainer is facing Outboard and the Slotted Mounting Hole is upward. Position the Inner Threaded Plate back in place.



### 2

#### ITEM(S) NEEDED



#18 X 2

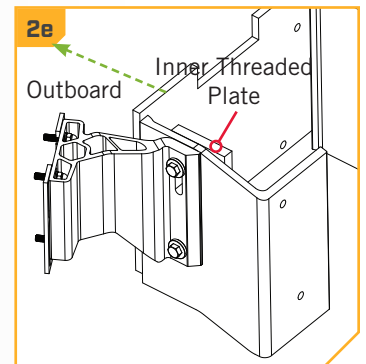
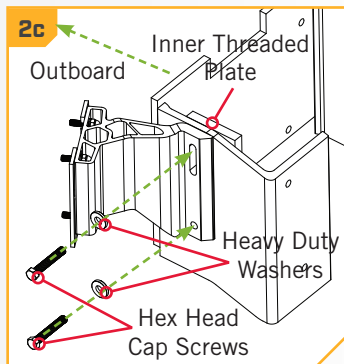


#14 x 2



#22 x 1

- With the Starboard Bracket aligned, take two 3" Stainless Steel Hex Head Cap Screws (Item #18) and two Heavy Duty Stainless Steel Washers (Item #14). Place one Heavy Duty Washer on each of the Hex Head Cap Screws. Apply anti-seize on the threads of the Hex Head Cap Screws (Item #22).
- Insert the Hex Head Cap Screws with the Heavy Duty Washers in place through the Mounting Holes in the Starboard Bracket, then into the Holes on the Starboard Side of the Jack Plate and then into the Inner Threaded Plate.
- Hold the Inner Threaded Plate in place and use a 1/2" Open End Wrench or Socket Wrench tighten the Hex Head Cap Screws. Check with your specific equipment manufacturer for their recommended settings. Tighten hardware to 50 ft-lbs.
- Continue to the "Completing the Installation" section of these instructions.



**NOTICE:** To prevent seizing of the stainless steel hardware, do not use high speed installation tools. Applying an anti-seize may help prevent seizing.

**NOTICE:** The hardware on the inside of the Jack Plate is secured into the Inner Threaded Plate. Two of the Heavy Duty Stainless Steel Washers (Item #14) and two of the Nylock Nuts (Item #16) will not be used.

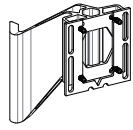
## › Installation with a Z-Lock Manual Jack Plate

# ⚠ CAUTION

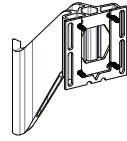
Support the Outboard before any work has begun on the bracket installation. An unsecured motor may cause harm from falling. Make sure that all hardware is replaced and/or secure before moving or operating the boat or Outboard once installation is complete.

### 1

#### ITEM(S) NEEDED

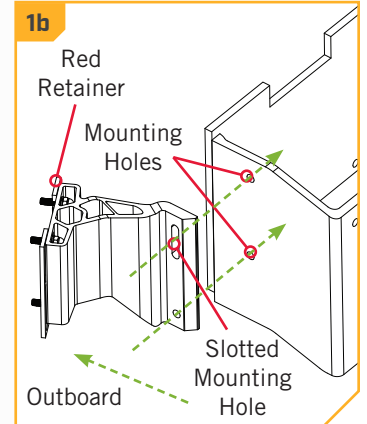


#2 x 1



#4 x 1

- a. Locate the Mounting Holes on the Starboard side of the Z-Lock Manual Jack Plate. After supporting the Outboard, remove the hardware that is holding the Mounting Bolts in place.
- b. Take the Starboard Jack Plate Bracket (Item #2 or Item #4) and align it with the Mounting Holes in the Starboard side of the Jack Plate. Orientate the Starboard Bracket so that the Red Retainer is facing Outboard and the Slotted Mounting Hole is upward.



### 2

#### ITEM(S) NEEDED



#18 X 2



#14 x 4

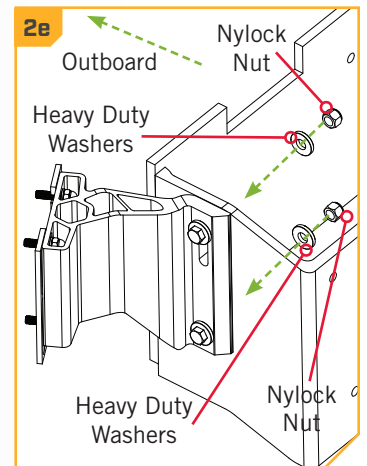
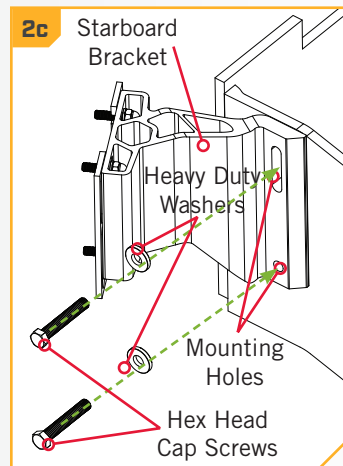


#16 x 2



#22 x 1

- c. With the Starboard Bracket aligned, take two 3" Stainless Steel Hex Head Cap Screws (Item #18) and two Heavy Duty Stainless Steel Washers (Item #14). Place one Heavy Duty Washer on each of the Hex Head Cap Screws. Apply anti-seize on the threads of the Hex Head Cap Screws (Item #22).
- d. Insert the Hex Head Cap Screws with the Heavy Duty Washers in place through the Mounting Holes in the Starboard Bracket and into the Holes on the Starboard Side of the Jack Plate.
- e. Take two Heavy Duty Stainless Steel Washers (Item #14) and place one on the end of each Hex Head Cap Screw on the inside of the Jack Plate. Secure the hardware with two Stainless Steel Nylock Nuts (Item #16). Hold the Nylock Nuts with a 1/2" Open End Wrench and tighten the Hex Head Cap Screws with a 1/2" Socket Wrench. Check with your specific equipment manufacturer for their recommended settings. Tighten hardware to 50 ft-lbs.
- f. Continue to the "Completing the Installation" section of these instructions.



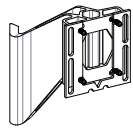
**NOTICE:** To prevent seizing of the stainless steel hardware, do not use high speed installation tools. Applying an anti-seize may help prevent seizing.

# Installation with a Bob's Machine Shop Jack Plate

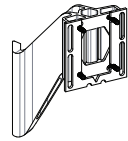
Installation of the Side Mount Adapter Bracket into a Bob's Machine Shop Jack Plate requires Spacer Block Kit 1810212.

1

## ITEM(S) NEEDED

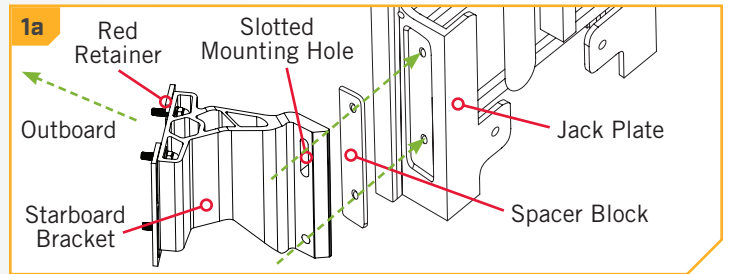
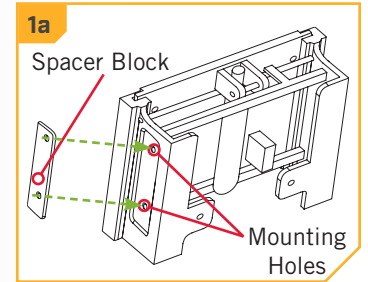
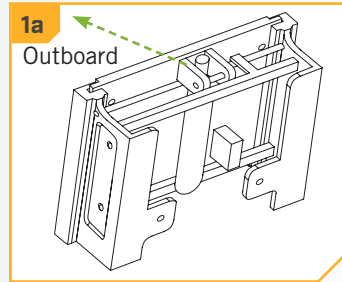


#2 x 1



#4 x 1

- Locate the Mounting Holes on the Starboard side of the Bob's Machine Shop Jack Plate. For Bob's Machine Shop Jack Plates use Spacer Block Kit 1810212. Refer to the Installation Instructions provided with the Spacer Block Kit for more details.
- Take the Starboard Jack Plate Bracket (Item #2 or Item #4) and align it with the Mounting Holes in the Starboard side of the Jack Plate. Orientate the Starboard Bracket so that the Red Retainer is facing Outboard and the Slotted Mounting Hole is upward.



2

## ITEM(S) NEEDED



#18 X 2



#14 x 4

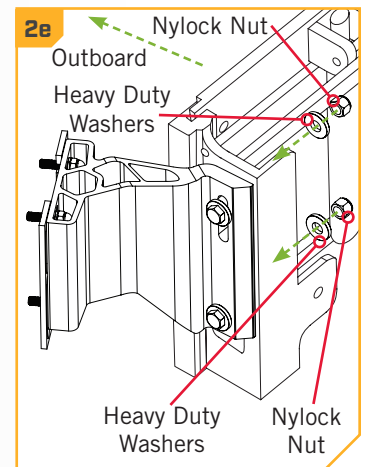
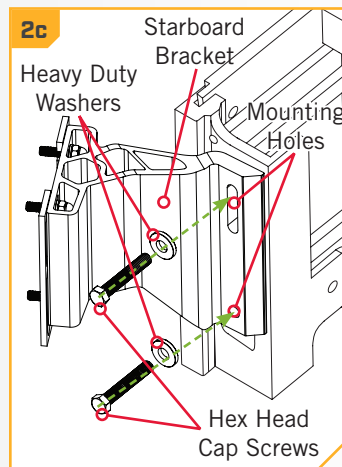


#16 x 2



#22 x 1

- With the Starboard Bracket and Spacer Block aligned, take two 3" Stainless Steel Hex Head Cap Screws (Item #18) and two Heavy Duty Stainless Steel Washers (Item #14). Place one Heavy Duty Washer on each of the Hex Head Cap Screws. Apply anti-seize on the threads of the Hex Head Cap Screws (Item #22).
- Insert the Hex Head Cap Screws with the Heavy Duty Washers in place through the Mounting Holes in the Starboard Bracket and Spacer Block and into the Holes on the Starboard Side of the Jack Plate.
- Take two Heavy Duty Stainless Steel Washers (Item #14) and place one on the end of each Hex Head Cap Screw on the inside of the Jack Plate. Secure the hardware with two Stainless Steel Nylock Nuts (Item #16). Hold the Nylock Nuts with a 1/2" Open End Wrench and tighten the Hex Head Cap Screws with a 1/2" Socket Wrench. Check with your specific equipment manufacturer for their recommended settings. Tighten hardware to 50 ft-lbs.
- Continue to the "Completing the Installation" section of these instructions.



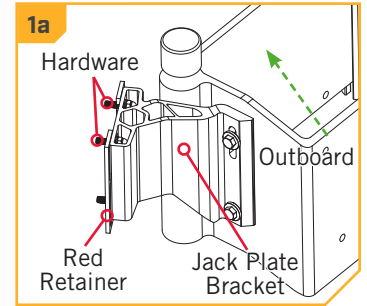
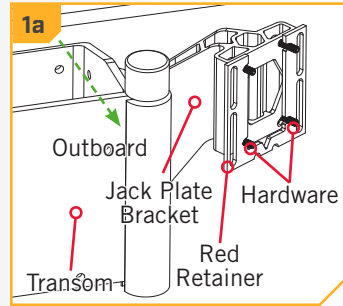
**NOTICE:** To prevent seizing of the stainless steel hardware, do not use high speed installation tools. Applying an anti-seize may help prevent seizing.

## › Completing the Installation

# 1

- a. Begin with the Starboard Bracket already installed to the Jack Plate. For specific instructions, please refer to the installation for each type of Jack Plate above. Once the Jack Plate Bracket is secured, leave the hardware and Red Retainer in place until instructed to remove it and continue below.

**NOTICE:** It is recommended to have a second person help with installation.



# 2

### ITEM(S) NEEDED

◎ #20 X 4

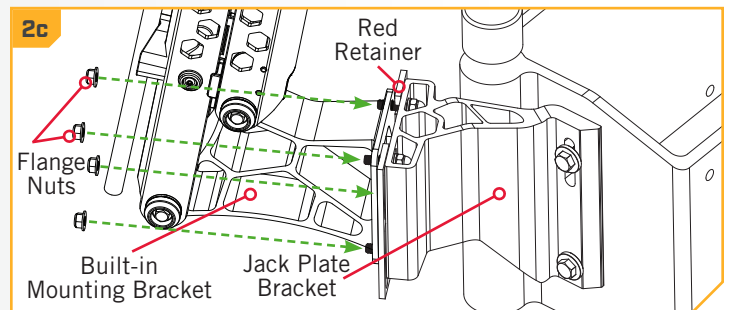
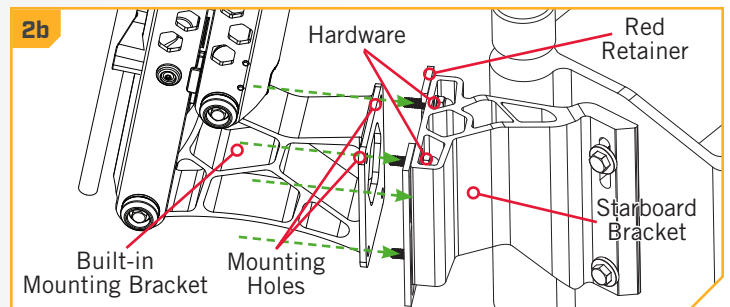


#22 x 1

- b. With the help of a second person, position the Built-in Mounting Bracket on the Raptor, so that the hardware in the Red Retainer on the Starboard Jack Plate Bracket aligns with the Mounting Holes in the Built-in Mounting Bracket. Apply Anti-sieze (Item #22) to the threads of the hardware held in place by the Red Retainer. Then install the Built-in Mounting Bracket to the hardware.

**NOTICE:** The Red Retainer helps to align the hardware in the Jack Plate Bracket with the Mounting Holes in the Built-in Mounting Bracket to aide in installation. Keep the Red Retainer in place until instructed to remove it.

- c. Take four of the Flange Nuts (Item #20) and place one on the end of each of the Hex Head Cap Screws. Secure them loosely.

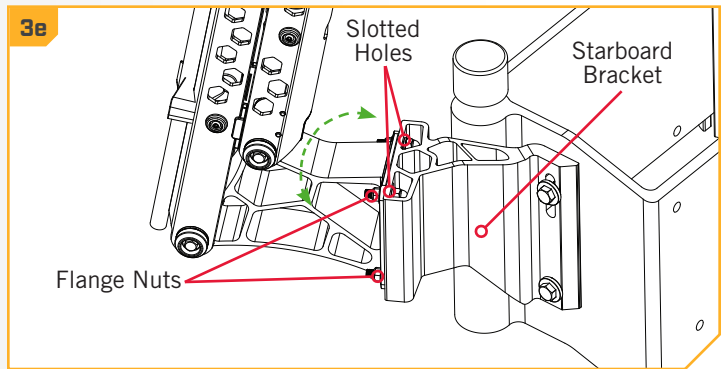
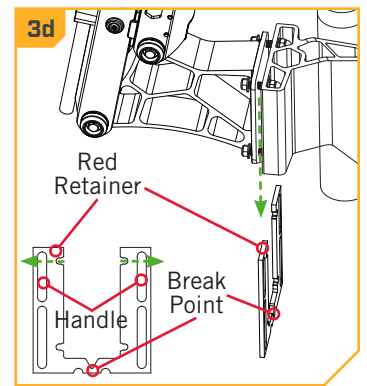
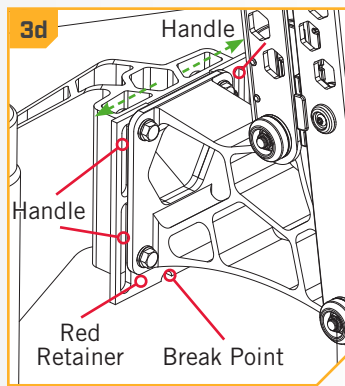


# 3

- d. With the Flange Nuts in place, pull the Red Retainer out to release the hardware. There are handles on each side of the Red Retainer that can be used to grasp each half. When pulling the Red Retainer, grasp each side and pull so that the Red Retainer breaks at the center and releases the hardware.

**NOTICE:** The Mounting Holes on the Jack Plate are slotted so that the Raptor can be adjusted along the slots for the final installation.

- e. With the Red Retainer removed, there is slack in the mounting hardware between the Starboard Jack Plate Bracket and Built-in Mounting Bracket. This allows the Built-in Mounting Bracket and Raptor to be rotated for final Raptor placement along the Slotted Holes in the Starboard Bracket. Check the angle of the bracket along the Slotted Holes and confirm that the Raptor is set at the desired angle. Once set, hold the hardware inside the Jack Plate Bracket with a 9/16" Open End Wrench. Tighten the Flange Nuts with a 9/16" Box End or Socket Wrench. Do not over-tighten. Tighten to 20 ft-lbs.



For warranty information, please visit [minnkotamotors.com](http://minnkotamotors.com).



[minnkotamotors.com](http://minnkotamotors.com)



Part #2354910

Minn Kota Consumer & Technical Service  
Johnson Outdoors Marine Electronics, Inc.  
PO Box 8129  
Mankato, MN 56001

121 Power Drive  
Mankato, MN 56001  
Phone (800) 227-6433  
Fax (800) 527-4464



©2020 Johnson Outdoors Marine Electronics, Inc.  
All rights reserved.

ECN 40715

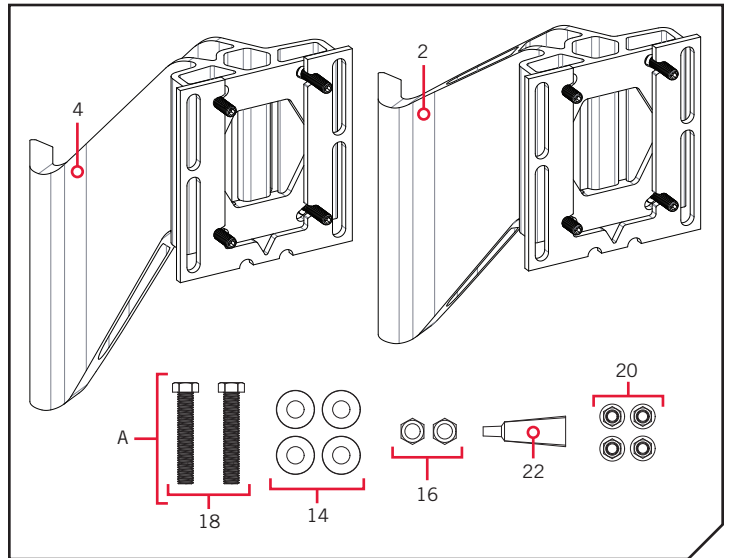
Rev B

06/20



Le Raptor côté tribord de 4 po (10,2 cm) et de 6 po (15,2 cm) s'installe directement sur le timon côté tribord de votre bateau.

Article/Assemblage	N° de pièce	Description	Qté
2	2351959	BRACKET,STRBD 2/4 PAINTED	1
	2351949	BRKT, STRBD 2/4. PAINT WHT *blanc*	1
4	2351958	BRACKET,STRBD 2/6 PAINTED	1
	2351948	BRKT, STRBD 2/6, PAINT WHT *blanc*	1
▲	2354910	INSTRC-INSTALL, JACKPLATE	1
6	2353411	SCREW-3/8-16X1.75 SET SSTL *PRE-INSTALLED*	4
8	2353103	NUT-3/8-16, ACORN SS *PRE-INSTALLED*	4
10	2371758	WASHER-3/8 HD FLAT SS *PRE-INSTALLED*	4
12	2352901	RETAINER,STUD,ANCHOR BRKT *PRE-INSTALLED*	1
A Articles 14 à 22	2994939	BAG ASM,JACKPLATE HDW,RPTR	1
14	2371757	WASHER-1/2", HEAVY DUTY, SS	4
16	2373108	NUT-1/2-13, NYLOC, SS	2
18	2373519	BOLT-1/2-13 X 3" HHCS SS	2
20	2353102	NUT-3/8-16 FLANGE,NYLOK,SS	4
22	2378608	ANTI SEIZE TUBE, 4CC	1



\* Cette pièce est incluse dans un ensemble et ne peut pas être commandée individuellement.  
▲ Non illustrée sur le schéma des pièces.

**AVIS :** L'assemblage acheté contiendra soit l'article n° 2 ou l'article n° 4 selon si un appui côté tribord de 4 po (10,2 cm) (1810360 ou 1810365 - blanc) ou de 6 po (15,2 cm) (1810362 ou 1810367 - blanc) a été sélectionné. L'assemblage est monté directement côté tribord du timon. Il peut aussi être monté directement à un adaptateur en sandwich universel Raptor (1810372 ou 1810377 - blanc). Le support de décalage de 3 po (7,6 cm) (1810370 ou 1810375 - blanc) peut être ajouté aux supports de timon pour plus d'options de montage.

### OUTILS ET RESSOURCES NÉCESSAIRES

- Clé dynamométrique
- Clé polygonale ou à cliquet de 1/2 po (1,3 cm)
- Une deuxième personne pour aider avec l'installation

### FACTEURS DE MONTAGE

Avant de monter votre support Raptor, veiller à tenir compte de ce qui suit :

1. Le support de timon ne fonctionnera qu'avec les conceptions de timon compatibles et il se peut qu'il ne fonctionne pas avec tous les timons. Veiller à consulter le tableau ci-dessous pour connaître les conceptions de timon compatibles. Les instructions suivent pour le style de timon dans l'ordre indiqué sur le tableau. Si votre timon ne figure pas sur la liste, il faudra utiliser l'adaptateur en sandwich universel (1810372 ou 1810377 - blanc) soit entre le tableau arrière et le timon ou entre le timon et le hors-bord.

Fabricant	Modèle	Décalage
TH Marine	Atlas Hydraulics	4 po à 12 po (10,2 cm à 30,5 cm)
	Z-Lock manuel	6 po à 12 po (15,2 cm à 30,5 cm)
R&R Designs	Slidemaster manuel	6 po à 12 po (15,2 cm à 30,5 cm)''
Bob's Machine Shop	Série Action	6 po à 14 po (15,2 cm à 35,5 cm)
	Série Standard	6 po à 14 po (15,2 cm à 35,5 cm)

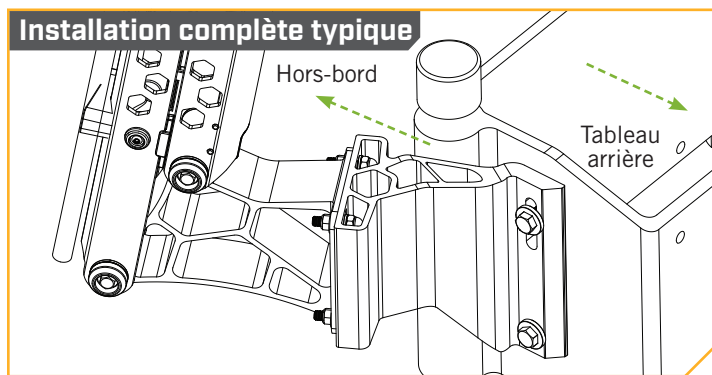
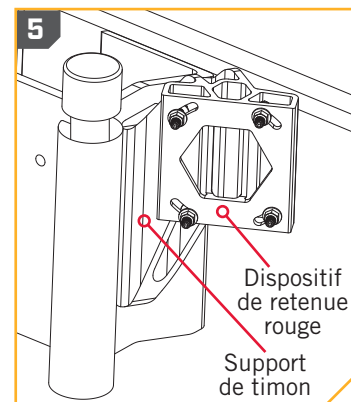
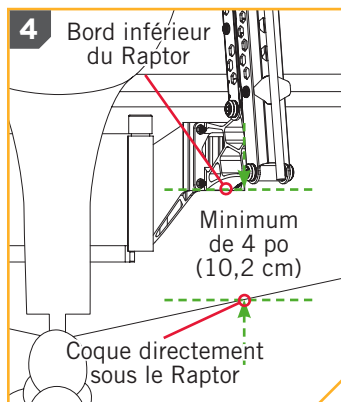
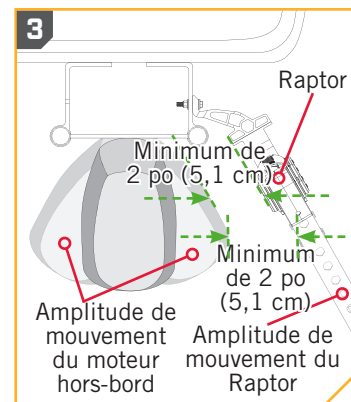
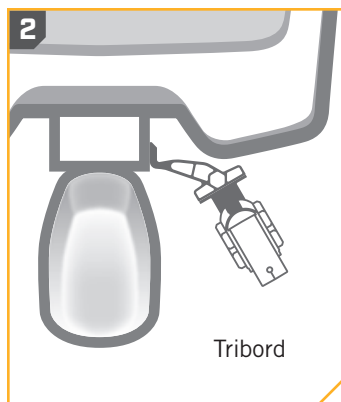
2. Examiner le côté tribord de votre timon. Identifier les trous à utiliser aux fins d'installation; si votre timon ne compte pas de trous percés d'avance, vous assurer de ne percer dans aucune obstruction et que la quincaillerie aux fins d'assemblage sera disponible.
3. Le Raptor doit avoir une voie claire, sans obstruction pour le fonctionnement. S'assurer que l'emplacement proposé permettra le déploiement et la rétraction de l'ancre sans heurter les volets, les plateformes de poussée, les échelles, le moteur ou d'autres obstructions. On devrait aussi tenir compte des méthodes de pêche lors de la sélection de l'emplacement de montage. S'assurer qu'il n'y a aucune interférence entre le Raptor et le moteur au cours du fonctionnement normal. L'emplacement sélectionné, ajuster la compensation du moteur au maximum vers le haut et le bas, et tourner le moteur complètement vers la droite et la gauche pour confirmer le dégagement approprié du moteur. S'assurer qu'il y a un minimum de deux à trois pouces (5,1 à 7,6 cm) de dégagement de tout point du Raptor, dans toutes les positions d'arrimage et de déploiement.
4. Le bord inférieur du Raptor ne devrait jamais être inférieur à 4 po (10,2 cm) au-dessus de la coque, directement sous le Raptor afin d'empêcher des conditions de jet d'eau ou de traînée. Cela s'applique à toute configuration de montage utilisée.
5. Garder le dispositif de retenue rouge sur le support de timon en place durant l'installation jusqu'à ce que vous deviez le retirer. Pour les installations jumelées à un support supplémentaire, le support de timon doit être installé avant d'installer le Raptor ou tout support supplémentaire.

**AVIS :** Si vous installez un support supplémentaire au support de timon, garder le dispositif de retenue en place et suivre les instructions incluses avec le support supplémentaire. Ne pas installer le support de décalage de 3 po (7,6 cm) avant d'avoir terminé l'installation du support de timon au timon.

6. Il pourrait être nécessaire d'enlever une échelle de sortie installée en usine pour bien installer le support. Vu la grande variété d'échelles de sortie, Minn Kota n'est pas responsable de la réinstallation ou de la relocalisation de toute échelle de sortie installée en usine.
7. Pour accepter le support d'adaptateur, les timons Bob's Machine Shop doivent être percés. Un ensemble de cales d'écartement doit être utilisé pour réaliser une installation appropriée; voir la pièce accessoire cale d'écartement n° 1810212 ou la pièce équivalente Bob's Machine Shop.

**AVIS :** Lors du montage du support de timon au timon, on recommande de consulter les facteurs de montage supplémentaires pour une installation complète du Raptor. Ils se trouvent en ligne sur [minnkotamotors.com](http://minnkotamotors.com) dans la section « Installation » du manuel du propriétaire ou des instructions d'installation du Raptor. Ils indiquent comment monter la pompe hydraulique et acheminer les tuyaux hydrauliques, ainsi que d'autres recommandations.

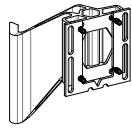
**AVIS :** Consulter le fabricant du timon ou du hors-bord pour savoir si de la quincaillerie supplémentaire est nécessaire pour installer ce support. Des boulons de montage plus longs que ceux initialement fournis par le fabricant du hors-bord peuvent être nécessaires pour permettre l'installation. Percer des trous peut être requis pour le support de timon et risque d'annuler la garantie du fabricant. Minn Kota n'est pas responsable des dommages pouvant en résulter.



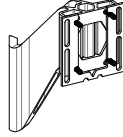
## > Installation à l'adaptateur en sandwich universel Raptor

1

### ARTICLE(S) REQUIS

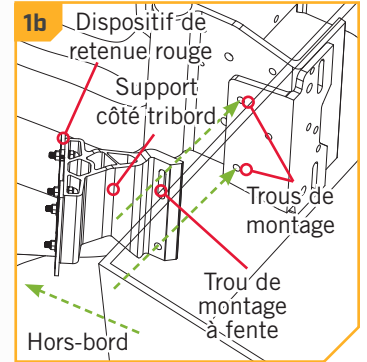
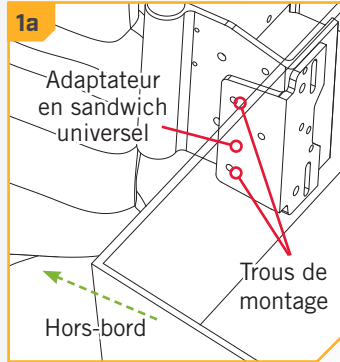


#2 x 1



#4 x 1

- a. Le support de timon côté tribord (article n° 2 ou article n° 4) sera utilisé seulement pour monter le Raptor à l'adaptateur en sandwich universel s'il a été installé de sorte que le support en sandwich ait été orienté côté tribord du bateau. S'il sera installé côté tribord, repérer les trous de montage sur le côté du support en sandwich.
- b. Prendre le support de timon côté tribord et l'aligner avec les trous de montage du support en sandwich. Orienter le timon côté tribord de sorte que le dispositif de retenue rouge soit orienté hors-bord et que le trou de montage à fente soit orienté vers le haut.



2

### ARTICLE(S) REQUIS



#18 X 2



#14 x 4

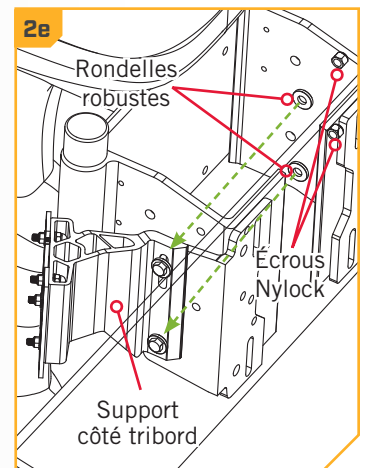
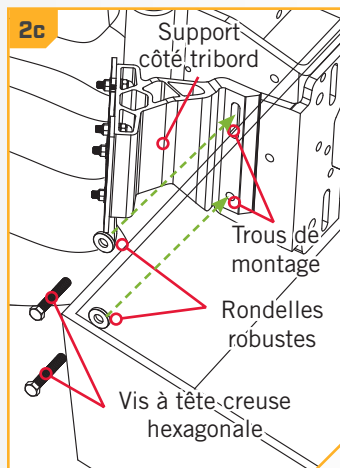


#16 x 2



#22 x 1

- c. Le support côté tribord aligné, prendre deux vis à tête creuse hexagonale en acier inoxydable de 3 po (7,6 cm) (article n° 18) et deux rondelles robustes en acier inoxydable (article n° 14). Placer une rondelle robuste sur chaque vis à tête creuse hexagonale. Appliquer le produit antigrippant sur le filetage des vis à tête creuse hexagonale (article n° 22).
- d. Insérer les vis à tête creuse hexagonale avec les rondelles robustes en place dans les trous de montage du support côté tribord et dans les trous de montage du support en sandwich.
- e. Prendre deux rondelles robustes en acier inoxydable (article n° 14) et en placer une à l'extrémité de chaque vis à tête creuse hexagonale du côté opposé du support en sandwich. Fixer la quincaillerie avec deux écrous Nylock en acier inoxydable (article n° 16). Tenir les écrous Nylock avec une clé plate de 1/2 po (12,7 mm) et serrer les vis à tête creuse hexagonale avec une clé à cliquet de 1/2 po (12,7 mm). Consulter le fabricant d'équipement particulier pour connaître les paramètres recommandés. Serrer la quincaillerie à 50 lb-pi (67,8 Nm).
- f. Passer à la section « Terminer l'installation » de ces instructions.

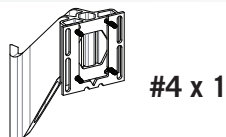
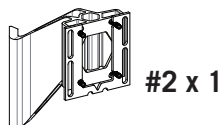


**AVIS :** Pour prévenir le grippage de la quincaillerie en acier inoxydable, ne pas utiliser d'outils haute vitesse pour l'installation. Appliquer un produit antigrippant peut aider à prévenir le grippage.

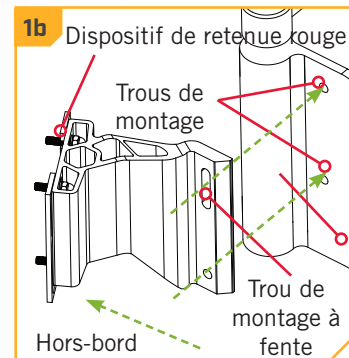
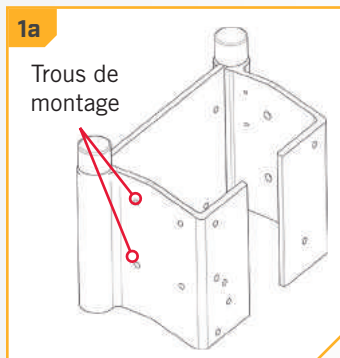
## Installation avec un timon Atlas Hydraulics

# 1

### ARTICLE(S) REQUIS



- Repérer les trous de montage du côté où vous souhaitez monter le support de timon Atlas. Les trous de montage peuvent se trouver sous l'autocollant du timon.
- Prendre le support de timon côté tribord (article n° 2 ou article n° 4) et l'aligner avec les trous de montage côté tribord du timon. Orienter le timon côté tribord de sorte que le dispositif de retenue rouge soit orienté hors-bord et que le trou de montage à fente soit orienté vers le haut.



# 2

### ARTICLE(S) REQUIS



#18 X 2



#14 x 4

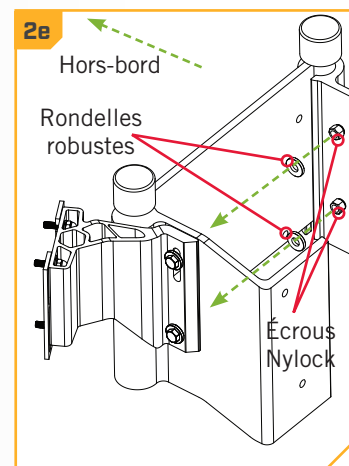
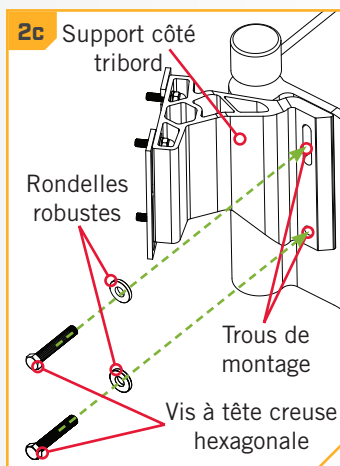


#16 x 2



#22 x 1

- Le support côté tribord aligné, prendre deux vis à tête creuse hexagonale en acier inoxydable de 3 po (7,6 cm) (article n° 18) et deux rondelles robustes en acier inoxydable (article n° 14). Placer une rondelle robuste sur chaque vis à tête creuse hexagonale. Appliquer le produit antigrippant sur le filetage des vis à tête creuse hexagonale (article n° 22).
- Insérer les vis à tête creuse hexagonale avec les rondelles robustes en place dans les trous de montage du support côté tribord et dans les trous de montage côté tribord du timon.
- Prendre deux rondelles robustes en acier inoxydable (article n° 14) et en placer une à l'extrémité de chaque vis à tête creuse hexagonale à l'intérieur du timon. Fixer la quincaille avec deux écrous Nylock en acier inoxydable (article n° 16). Tenir les écrous Nylock avec une clé plate de 1/2 po (12,7 mm) et serrer les vis à tête creuse hexagonale avec une clé à cliquet de 1/2 po (12,7 mm). Consulter le fabricant d'équipement particulier pour connaître les paramètres recommandés. Serrer la quincaille à 50 lb-pi (67,8 Nm).
- Passer à la section « Terminer l'installation » de ces instructions.



**AVIS :** Pour prévenir le grippage de la quincaille en acier inoxydable, ne pas utiliser d'outils haute vitesse pour l'installation. Appliquer un produit antigrippant peut aider à prévenir le grippage.

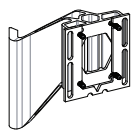
## Installation avec un timon manuel Slidemaster

# ATTENTION

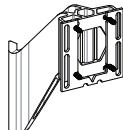
Soutenir le hors-bord avant de commencer à installer le support. Un moteur mal fixé peut causer des blessures s'il devait chuter. S'assurer que toute la quincaillerie est remplacée ou fixée avant de déplacer ou d'opérer le bateau ou le hors-bord une fois l'installation terminée.

# 1

### ARTICLE(S) REQUIS



#2 x 1

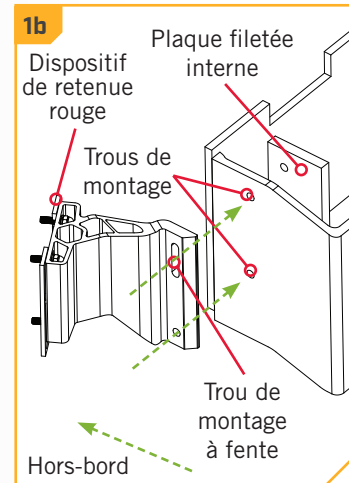


#4 x 1

- a. Repérer les trous de montage côté tribord du timon manuel Slidemaster. Après avoir supporté le hors-bord, retirer la quincaillerie qui tient la barre latérale et la plaque fileté interne en place.

**AVIS :** Toute barre latérale doit être retirée et ne pas être réutilisée. La plaque fileté interne livrée avec le timon sera reposée.

- b. Prendre le support de timon côté tribord (article n° 2 ou article n° 4) et l'aligner avec les trous de montage côté tribord du timon. Orienter le timon côté tribord de sorte que le dispositif de retenue rouge soit orienté hors-bord et que le trou de montage à fente soit orienté vers le haut. Repositionner la plaque fileté interne en place.



# 2

### ARTICLE(S) REQUIS



#18 X 2

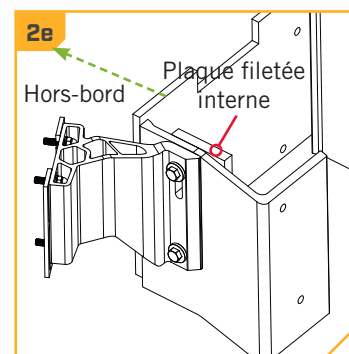
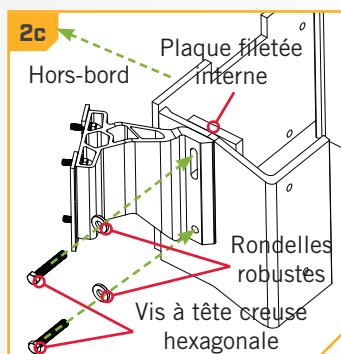


#14 x 2



#22 x 1

- c. Le support côté tribord aligné, prendre deux vis à tête creuse hexagonale en acier inoxydable de 3 po (7,6 cm) (article n° 18) et deux rondelles robustes en acier inoxydable (article n° 14). Placer une rondelle robuste sur chaque vis à tête creuse hexagonale. Appliquer le produit antigrippant sur le filetage des vis à tête creuse hexagonale (article n° 22).
- d. Insérer les vis à tête creuse hexagonale avec les rondelles robustes en place dans les trous de montage du support côté tribord et dans les trous de montage côté tribord du timon, puis dans la plaque fileté interne.
- e. Tenir la plaque fileté interne en place et utiliser une clé plate ou une clé à cliquet de 1/2 po (12,7 mm) pour serrer les vis à tête creuse hexagonale. Consulter le fabricant d'équipement particulier pour connaître les paramètres recommandés. Serrer la quincaillerie à 50 lb-pi (67,8 Nm).
- f. Passer à la section « Terminer l'installation » de ces instructions.



**AVIS :** Pour prévenir le grippage de la quincaillerie en acier inoxydable, ne pas utiliser d'outils haute vitesse pour l'installation. Appliquer un produit antigrippant peut aider à prévenir le grippage.

**NOTICE :** La quincaillerie à l'intérieur du timon est fixée dans la plaque fileté interne. Deux des rondelles robustes en acier inoxydable (article n° 14) et deux des écrous Nylock (article n° 16) ne seront pas utilisés.



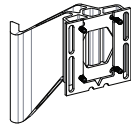
## › Installation avec un timon manuel Z-lock

# ⚠ ATTENTION

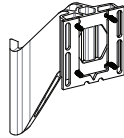
Soutenir le hors-bord avant de commencer à installer le support. Un moteur mal fixé peut causer des blessures s'il devait chuter. S'assurer que toute la quincaillerie est remplacée ou fixée avant de déplacer ou d'opérer le bateau ou le hors-bord une fois l'installation terminée.

# 1

### ARTICLE(S) REQUIS

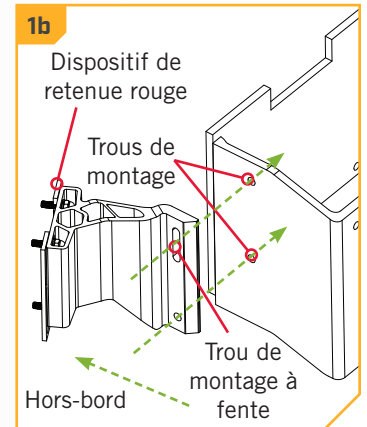


#2 x 1



#4 x 1

- Repérer les trous de montage côté tribord du timon manuel Z-Lock. Après avoir supporté le hors-bord, retirer la quincaillerie qui retient les boulons de montage en place.
- Prendre le support de timon côté tribord (article n° 2 ou article n° 4) et l'aligner avec les trous de montage côté tribord du timon. Orienter le timon côté tribord de sorte que le dispositif de retenue rouge soit orienté hors-bord et que le trou de montage à fente soit orienté vers le haut.



# 2

### ARTICLE(S) REQUIS



#18 X 2



#14 x 4

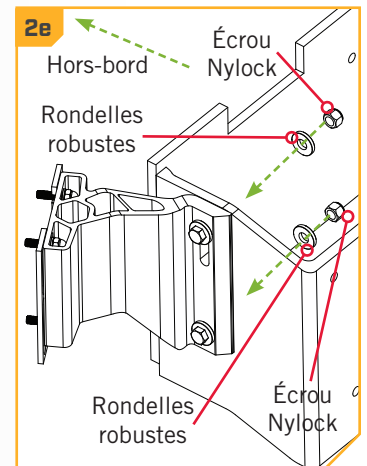
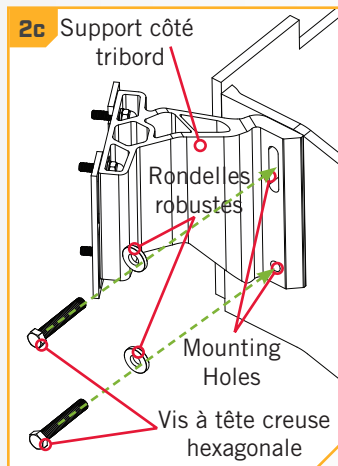


#16 x 2



#22 x 1

- Le support côté tribord aligné, prendre deux vis à tête creuse hexagonale en acier inoxydable de 3 po (7,6 cm) (article n° 18) et deux rondelles robustes en acier inoxydable (article n° 14). Placer une rondelle robuste sur chaque vis à tête creuse hexagonale. Appliquer le produit antigrippant sur le filetage des vis à tête creuse hexagonale (article n° 22).
- Insérer les vis à tête creuse hexagonale avec les rondelles robustes en place dans les trous de montage du support côté tribord et dans les trous côté tribord du timon.
- Prendre deux rondelles robustes en acier inoxydable (article n° 14) et en placer une à l'extrémité de chaque vis à tête creuse hexagonale à l'intérieur du timon. Fixer la quincaillerie avec deux écrous Nylock en acier inoxydable (article n° 16). Tenir les écrous Nylock avec une clé plate de 1/2 po (12,7 mm) et serrer les vis à tête creuse hexagonale avec une clé à cliquet de 1/2 po (12,7 mm). Consulter le fabricant d'équipement particulier pour connaître les paramètres recommandés. Serrer la quincaillerie à 50 lb-pi (67,8 Nm).
- Passer à la section « Terminer l'installation » de ces instructions.



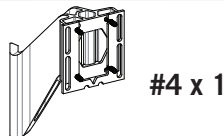
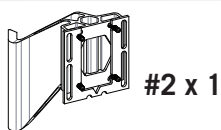
**AVIS :** Pour prévenir le grippage de la quincaillerie en acier inoxydable, ne pas utiliser d'outils haute vitesse pour l'installation. Appliquer un produit antigrippant peut aider à prévenir le grippage.

# Installation avec un timon Bob's Machine Shop

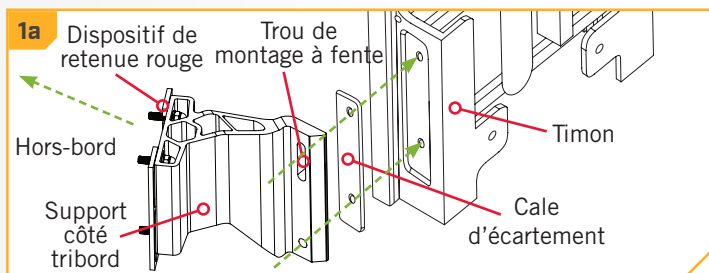
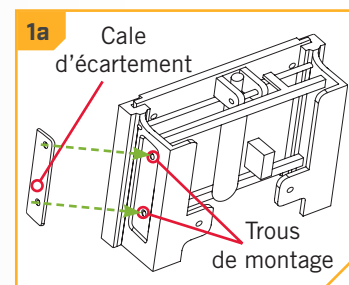
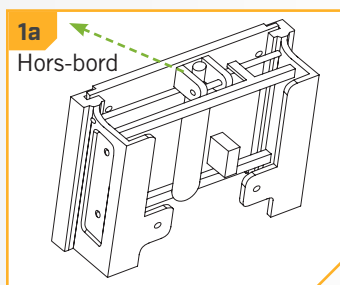
L'installation du support d'adaptateur de montage latéral dans le timon Bob's Machine Shop nécessite l'ensemble de cales d'écartement 1810212.

## 1

### ARTICLE(S) REQUIS

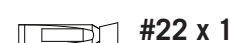


- Repérer les trous de montage côté tribord du timon Bob's Machine Shop. Dans le cas des timons Bob's Machine Shop, utiliser l'ensemble de cales d'écartement 1810212. Consulter les instructions d'installation fournies avec l'ensemble de cales d'écartement pour les détails.
- Prendre le support de timon côté tribord (article n° 2 ou article n° 4) et l'aligner avec les trous de montage côté tribord du timon. Orienter le timon côté tribord de sorte que le dispositif de retenue rouge soit orienté hors-bord et que le trou de montage à fente soit orienté vers le haut.

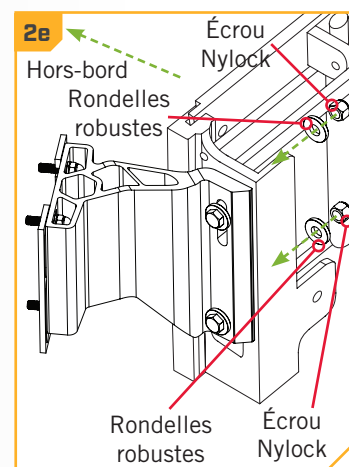
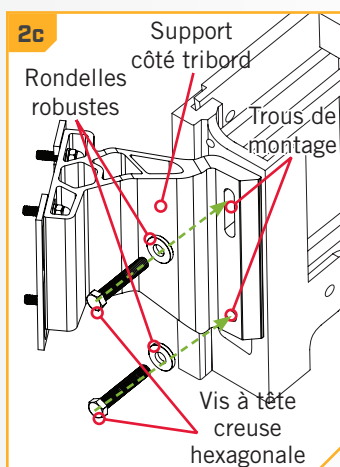


## 2

### ARTICLE(S) REQUIS



- Le support côté tribord et la cale d'écartement alignés, prendre deux vis à tête creuse hexagonale en acier inoxydable de 3 po (7,6 cm) (article n° 18) et deux rondelles robustes en acier inoxydable (article n° 14). Placer une rondelle robuste sur chaque vis à tête creuse hexagonale. Appliquer le produit antigrippant sur le filetage des vis à tête creuse hexagonale (article n° 22).
- Insérer les vis à tête creuse hexagonale avec les rondelles robustes en place dans les trous de montage du support côté tribord et de la cale d'écartement dans les trous côté tribord du timon.
- Prendre deux rondelles robustes en acier inoxydable (article n° 14) et en placer une à l'extrémité de chaque vis à tête creuse hexagonale à l'intérieur du timon. Fixer la quincaillerie avec deux écrous Nylock en acier inoxydable (article n° 16). Tenir les écrous Nylock avec une clé plate de 1/2 po (12,7 mm) et serrer les vis à tête creuse hexagonale avec une clé à cliquet de 1/2 po (12,7 mm). Consulter le fabricant d'équipement particulier pour connaître les paramètres recommandés. Serrer la quincaillerie à 50 lb-pi (67,8 Nm).
- Passer à la section « Terminer l'installation » de ces instructions.



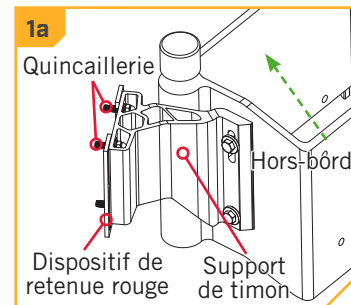
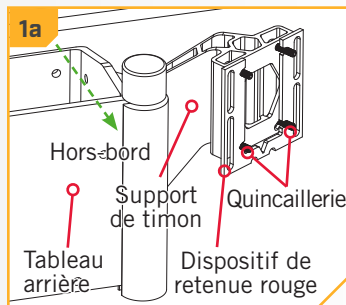
**AVIS :** Pour prévenir le grippage de la quincaillerie en acier inoxydable, ne pas utiliser d'outils haute vitesse pour l'installation. Appliquer un produit antigrippant peut aider à prévenir le grippage.

## Terminer l'installation

1

- a. Commencer par le support côté tribord déjà installé sur le timon. Pour des instructions spécifiques, veiller à consulter l'installation pour chaque type de timon ci-haut. Une fois le support de timon fixé, laisser la quincaillerie et le dispositif de retenue rouge en place jusqu'à ce que vous deviez le retirer, puis continuer comme indiqué ci-dessous.

**AVIS :** On recommande qu'une deuxième personne vous aide lors de l'installation.



2

### ARTICLE(S) REQUIS

◎ #20 X 4

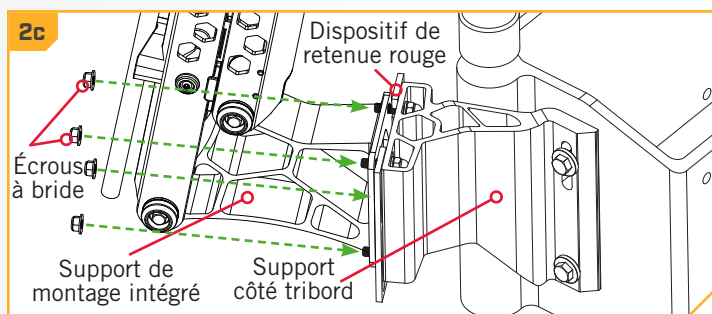
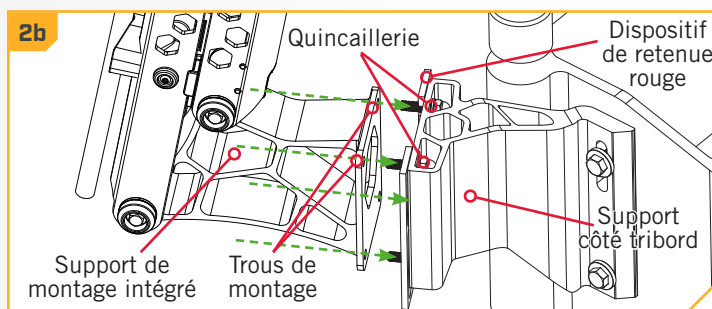


#22 x 1

- b. Une deuxième personne vous aidant, positionner le support de montage intégré sur le Raptor de sorte que la quincaillerie dans le dispositif de retenue rouge côté tribord du timon s'aligne avec les trous de montage du support de montage intégré. Appliquer le produit antigrippant (article n° 22) au filetage de la quincaillerie que garde en place le dispositif de retenue rouge. Puis installer le support de montage intégré à la quincaillerie.

**AVIS :** Le dispositif de retenue rouge aide à aligner la quincaillerie du support de timon et les trous de montage du support de montage intégré aux fins d'installation. Garder le dispositif de retenue rouge en place jusqu'à ce que vous deviez le retirer.

- c. Prendre quatre écrous à bride (article n° 20) et en placer un à l'extrémité de chaque vis à tête creuse hexagonale. Les fixer lâchement.

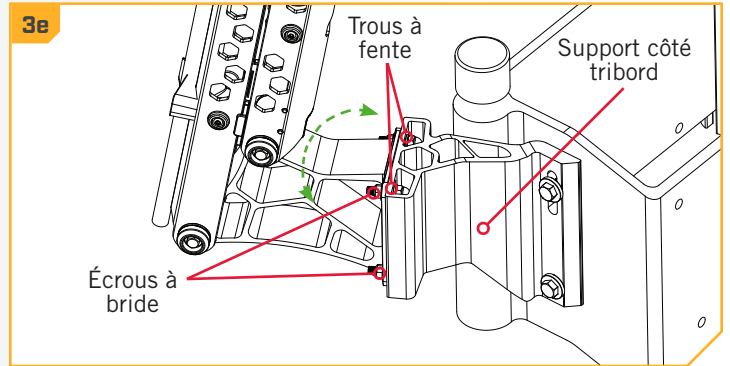
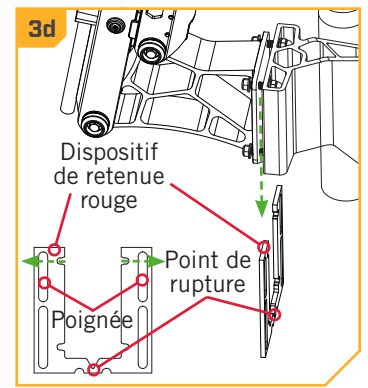
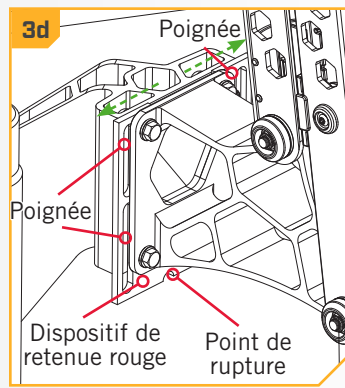


# 3

- d. Les écrous à bride en place, tirer sur le dispositif de retenue rouge pour libérer la quincaillerie. Il y a des poignées de chaque côté du dispositif de retenue rouge qui peuvent servir à saisir chaque moitié. Quand vous tirez sur le dispositif de retenue rouge, saisir chaque côté et tirer de sorte que le dispositif de retenue rouge se brise au centre, puis libère la quincaillerie.

**AVIS :** Les trous de montage du timon ont des fentes de sorte que le Raptor puisse être ajusté le long des fentes aux fins d'installation finale.

- e. Le dispositif de retenue rouge ayant été retiré, il y a du mou dans la quincaillerie de montage entre le support de timon côté tribord et le support de montage intégré. Cela permet au support de montage intégré et au Raptor de pivoter pour le placement final du Raptor le long des trous à fente du support côté tribord. Vérifier l'angle du support le long des trous à fente et confirmer que l'angle du Raptor est ce qu'il faut. Une fois placé, tenir la quincaillerie à l'intérieur du support de timon avec une clé plate de 9/16 po (14,3 mm). Serrer les écrous à bride avec une clé polygonale ou une clé à cliquet de 9/16 po (14,3 mm). Ne pas trop serrer. Serrer à 20 pi-lb (27,1 Nm).



Pour obtenir des renseignements sur la garantie, visiter [minnkotamotors.com](http://minnkotamotors.com).



Minn Kota Consumer & Technical Service  
Johnson Outdoors Marine Electronics, Inc.  
PO Box 8129  
Mankato, MN 56001

121 Power Drive  
Mankato, MN 56001  
Phone (800) 227-6433  
Fax (800) 527-4464



©2020 Johnson Outdoors Marine Electronics, Inc.  
All rights reserved.