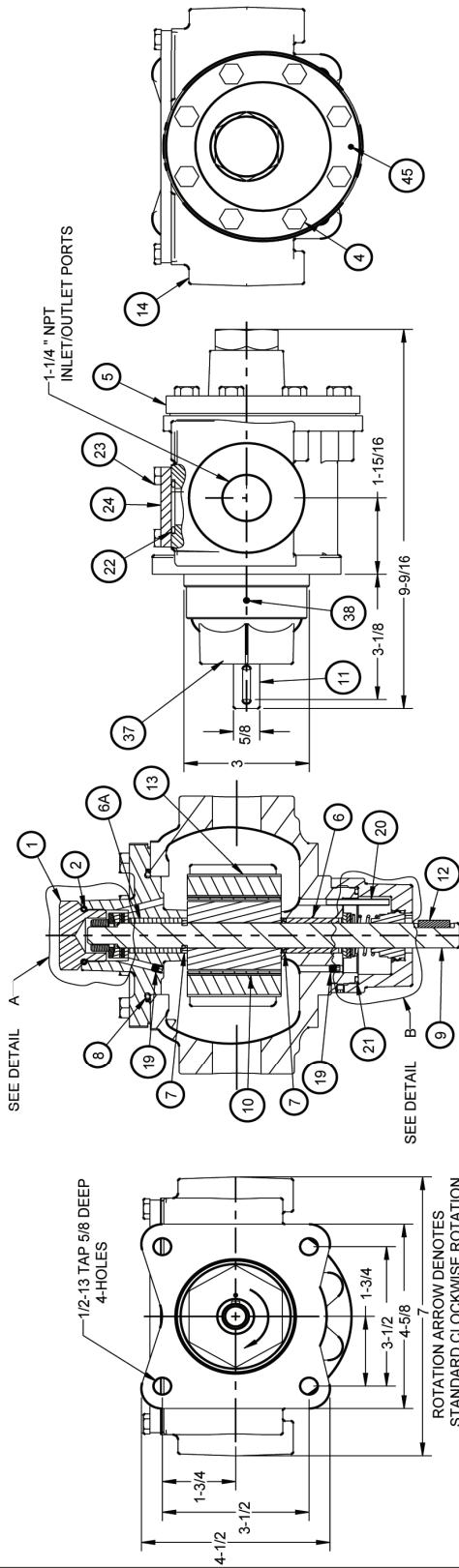
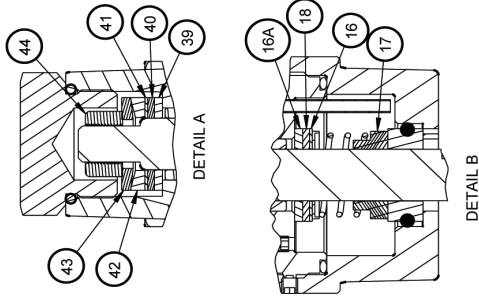


15U - 15 GPM Universal Pump

Item	Part No.	Description	Qty.
1	SAE16	Screw On Plug	1
2	SE3916N70	O-Ring, Plug	1
4	PC262	Screw, Cover	8
5	D1530A11	Cover	1
6	F11F	Bearing	1
6A	F11F	Bearing	1
7	F21E	Wiper Seal	2
8	F28E	O-Ring, Cover	1
9	DU15C13MC3	Shaft & Pinion Assembly	1
10	D1515C1	Pinion	1
11	D2014MC3	Shaft	1
12	F18C75	Key, 3/16 Sq X 3/4 Lg	1
13	D1526F1	Rotor	1
14	D203A11L	Case	1
16	F25C3	Washer	1
16A	F25C2	Washer	1
17	F18AM	Shaft Seal	1

Item	Part No.	Description	Qty.
18	F11TB2	Thrust Bearing	1
19	E49E	Set Screw, Vent	2
20	F43C1	Pin	1
21	SE2137N70	O-Ring, Gland	1
22	SE2122N90	O-Ring, Cover Plate	2
23	E90HC.6	Screw, Cover Plate	4
24	D1030CP	Cover Plate	1
37	F22SS2A	Gland	1
38	E49D	Set Screw, Gland	1
39	F25C2	Washer	1
40	F11TB2	Thrust Bearing	1
41	F25C3	Washer	1
42	F25C5	Spherical Washer	1
43	F25C4	Spherical Washer	1
44	ZA532A	Nut	1
45	F41C	Pin	1



SHAFT END VIEW
CUTAWAY VIEW BOTTOM
RIGHT SIDE
COVER END VIEW

15U - 15 GPM
Universal Pump