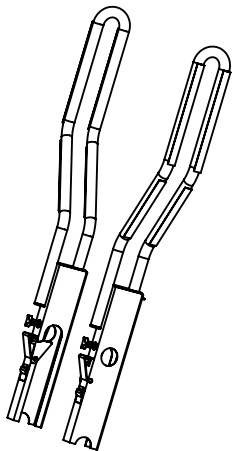


SAFE-T LADDER EXTENSION

Part # 10800

Instruction Manual



Contents

2 Product Specific Applications

2 For All Product Applications

2 Worker Qualifications

3 Compatibility

3 Limitations

3 Maintenance, Cleaning, and Storage

4 Specifications and Materials

5 Compatible Ladder Dimensions

5 Installation and Use

8 Safety Information

9 Labels

10 Inspection

11 Inspection Log

✘ Do not throw instructions away.

▲ Read and understand instructions before using this equipment.

Product Specific Applications

Safe-T Ladder Extension may be used in accordance with:

OSHA 1926.1053(b)(1)

When portable ladders are used for access to an upper landing surface, the ladder side rails shall extend at least 3 feet (.9 m) above the upper landing surface to which the ladder is used to gain access; or, when such an extension is not possible because of the ladder's length, then the ladder shall be secured at its top to a rigid support that will not deflect, and a grasping device, such as a grabrail, shall be provided to assist employees in mounting and dismounting the ladder. In no case shall the extension be such that ladder deflection under a load would, by itself, cause the ladder to slip off its support.

and:

OSHA 1910.23(c)(11)

Portable ladders used to gain access to an upper landing surface have side rails that extend at least 3 feet (0.9 m) above the upper landing surface.

For All Product Applications

- **Refer to ladder instructions for information regarding maximum user weight.**
-

Worker Classifications

- **Qualified Person:** A person with an accredited degree or certification, and with extensive experience or sufficient professional standing, who is considered proficient in planning/reviewing the conformity of fall protection and rescue systems.
 - **Competent Person:** A highly trained and experienced person who is ASSIGNED BY THE EMPLOYER to be responsible for all elements of a fall safety program, including, but not limited to, its regulation, management, and application. A person who is proficient in identifying existing and predictable fall hazards, and who has the authority to stop work in order to eliminate hazards.
 - **Authorized Person:** A person who is assigned by their employer to work around or be subject to potential existing fall hazards.
-

Compatibility

The Safe-T Ladder Extension is designed to attach to compatibly sized extension ladders to provide a positive handhold for safe transition between a ladder and roof or other compatible elevated surfaces.

See **Installation and Use** for compatible ladder dimensions.

Limitations

▲ WARNING The Safe-T Ladder Extension is not rated for use as a fall protection anchorage connector. **NEVER** tie off to any part of the Safe-T Ladder Extension.

▲ WARNING Immediately remove from service if Safe-T Ladder Extension is subjected to an impact or fails inspection.

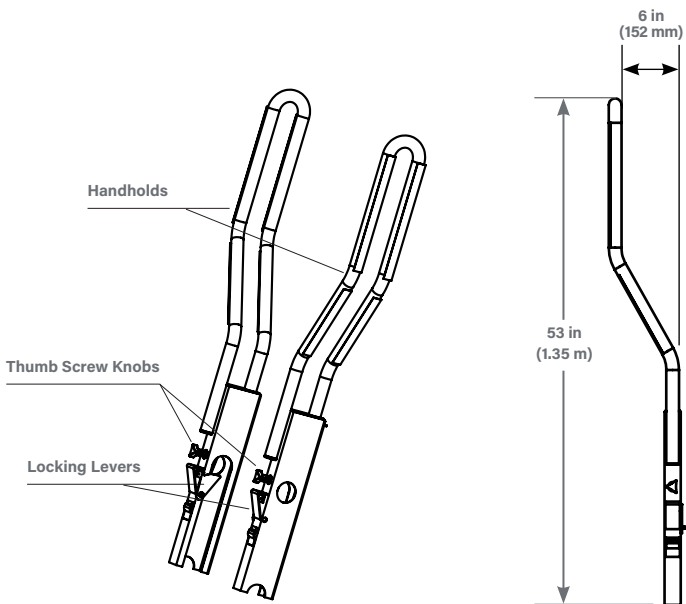
▲ WARNING Always install BOTH sides of the Safe-T Ladder Extension - never use a single extension handhold.

Maintenance, Cleaning, and Storage

Cleaning after use is important for maintaining the safety and longevity of the Safe-T Ladder Extension. Remove all dirt, corrosives, and contaminants from the harness before and after each use. If Safe-T Ladder Extension cannot be cleaned with plain water, use mild soap and water, then rinse and wipe dry. **NEVER** clean Safe-T Ladder Extension with corrosive substances.

When not in use or during transport, store equipment where it will not be affected by heat, light, excessive moisture, chemicals, or other degrading elements.

Specifications & Materials



Specifications

- Extends 3' (0.9 m) beyond end of ladder
- Weight: 15 lb (6.8 kg)

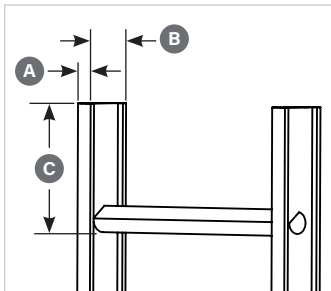
Materials

Powder-coated aluminum

Part #	Description
10800	Safe-T Ladder Extension

Compatible Ladder Dimensions

- A** Side rail width: 0.5 - 1.375 in (13 - 35 mm)
- B** Side rail depth: 3 - 3.5 in (76 - 89 mm)
- C** Max distance from end of ladder to bottom of top rung: 9.5 in (241 mm)



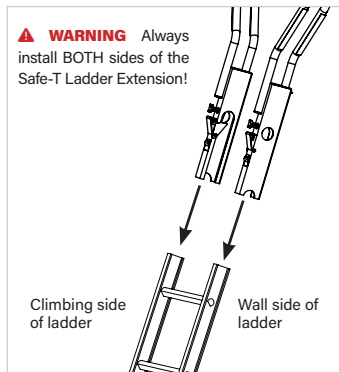
Installation and Use

Prior to Installation:

- Install Rail Extensions while ladder is on the ground. Tighten knobs as securely as possible by hand to prevent Rail Extensions from disengaging.
- Install Rail Extensions so that knobs are facing climber.
- Place top rung of ladder at roof line.
- When lowering fly section never allow any portion of Rail Extensions to contact lower ladder section to prevent Rail Extensions from falling.
- Never allow Rail Extensions to contact electrical wires.
- Inspect for damage before each use and destroy if damaged.
- Remove Safe-T Ladder Extension before transporting ladder.
- Read and follow all warnings on ladder.

Step 1

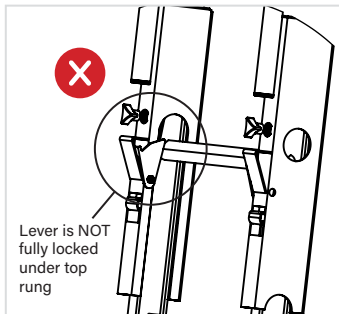
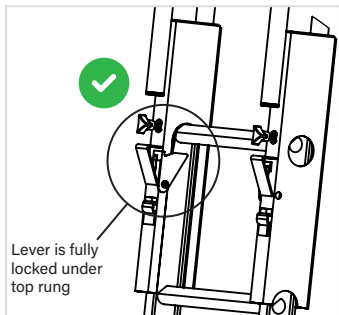
Slide of Safe-T Ladder Extension onto top of extension ladder section.



Installation and Use (cont'd)

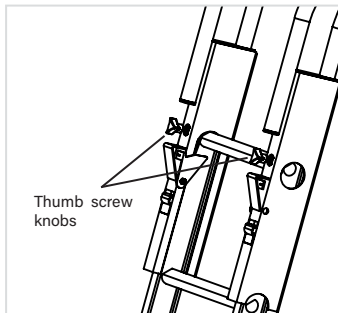
■ Step 1

Ensure both spring-loaded locking levers on Safe-T Ladder Extension **MUST** fully lock under top rung of ladder.



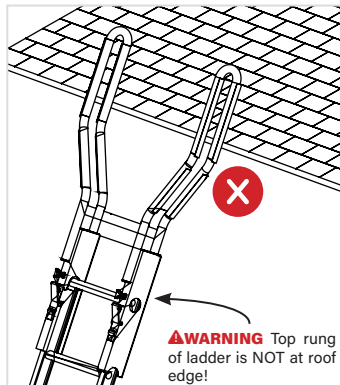
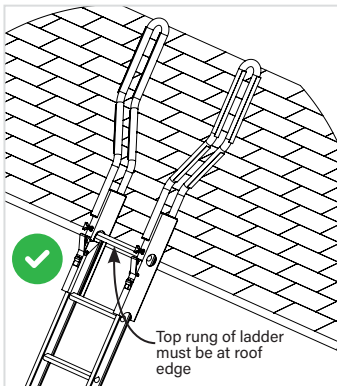
■ Step 2

Tighten thumb screws to secure Safe-T Ladder Extension to ladder. Always install Safe-T Ladder Extension so that thumb screw knobs are on climbing side of the ladder.

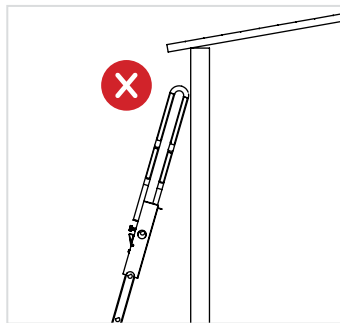
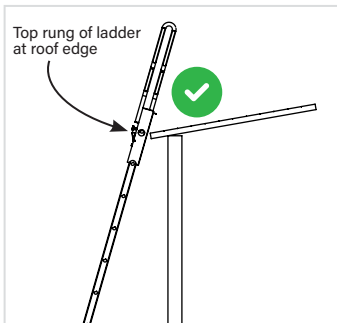


Installation and Use (cont'd)

■ When in use, top rung of ladder must be at roof line. Safe-T Ladder Extensions are NOT load-bearing and must NEVER rest against roof/upper surface edge!



WARNING Never lean Safe-T Ladder Extension against roof, wall, or any other surface in attempt to extend reach of ladder.



Safety Information

▲ WARNING! Failure to understand and comply with safety regulations may result in serious injury or death. Regulations included herein are not all-inclusive, are for reference only, and are not intended to replace a Competent Person's judgment or knowledge of federal or state standards.

▲ CAUTION! Understand the definitions of those who work near, or who may be exposed to, fall hazards.

▲ WARNING! Use of equipment in unintended applications may result in serious injury or death. Maximum 1 attachment per connection point.

Do not alter equipment.

Workplace conditions, including, but not limited to, corrosive chemicals, electrical shock, sharp objects or edges, machinery, flame/high heat, abrasive or uneven surfaces, UV exposure, and severe or prolonged weather conditions, must be assessed by a Competent Person (CP) before fall protection equipment is selected. The presence of any/all of these conditions may have negative effects on product performance or service lifetime.

The analysis of the workplace must anticipate where workers will be performing their duties, the routes they will take to reach their work, and the potential and existing fall hazards they may be exposed to. Fall protection equipment must be chosen by a CP. Selections must account for all potential hazardous workplace conditions. All fall protection equipment should be purchased new and in an unused condition.

Fall protection systems must be selected and installed under the supervision of a CP, and used in a compliant manner. The system must be designed in a manner compliant with all federal, state, and safety regulations. Forces applied to anchors must be calculated by a CP.

Harnesses and connectors selected must be compliant with manufacturer's instructions, and must be of compatible size and configuration. Snap hooks, carabiners, and other connectors must be selected and applied in a compatible fashion. All risk of disengagement must be eliminated. All snap hooks and carabiners must be self-locking and self-closing, and must never be connected to each other.

A pre-planned rescue procedure in the case of a fall is required. The rescue plan must be project-specific. The rescue plan must allow for employees to rescue themselves, or provide an alternative means for their prompt rescue to minimise post fall suspension time. Store rescue equipment in an easily accessible and clearly marked area.

Training of Authorized Persons (APs) to correctly erect, disassemble, inspect, maintain, store, and use equipment must be provided by a CP. Training must include the ability to recognise fall hazards, minimise the likelihood of fall hazards, and the correct use of personal fall arrest systems.

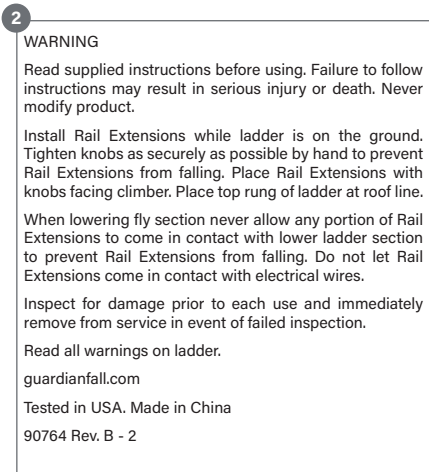
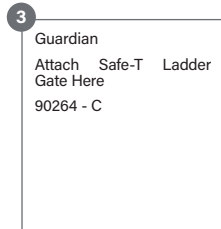
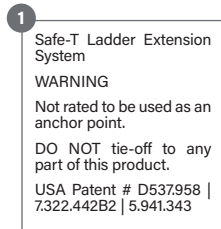
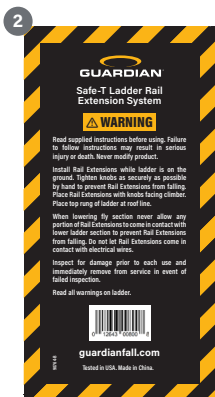
NEVER use fall protection equipment of any kind to hang, lift, support, or hoist tools or equipment, unless explicitly certified for such use.

Equipment subjected to forces of fall arrest must immediately be removed from use.

Age, fitness, and health conditions can seriously affect the worker should a fall occur. Consult a doctor if there is any reason to doubt a user's ability to safely withstand fall arrest forces or perform set-up of equipment. Pregnant women and minors MUST NOT use this equipment.

Physical harm may still occur even if fall safety equipment functions correctly. Sustained post-fall suspension may result in serious injury or death. Use trauma relief straps to reduce the effects of suspension trauma.

Labels



Inspection

Prior to EACH use, inspect Safe-T Ladder Extension for deficiencies, including, but not limited to, corrosion, deformation, pits, burrs, rough surfaces, sharp edges, cracking, rust, paint buildup, excessive heating, alteration, and missing or illegible labels. IMMEDIATELY remove Safe-T Ladder Extension from service if defects or damage are found, or if exposed to impact forces.

Ensure that applicable work area is free of all damage, including, but not limited to, debris, rot, rust, decay, cracking, and hazardous materials. Ensure that selected work area will support the application-specific minimum loads set forth in this instruction manual. Work area MUST be stable.

During inspection, consider all applications and hazards Safe-T Ladder Extension have been subjected to.

**USA**

607 East Sam Houston Parkway South
Suite 800
Pasadena, TX 77503
800 466 6385
customer.service@guardianfall.com

UK

New Road, Sheerness
Kent ME12 1PZ
United Kingdom
+44 (0) 1795 580 333
enquiries@guardianfall.com

CANADA

580 Notre Dame Avenue, Unit 16
Sudbury, ON
P3C 5L2
800 466 6385
customer.service@guardianfall.com

WARRANTY: Guardian warrants to Buyer that all products are free from defects in material, workmanship, and design (if a Supplier-responsible design), however this warranty does not cover conditions resulting from normal wear and tear, neglect, abuse, accident or otherwise. Guardian's obligations under this warranty apply for the lifetime of the products and are limited to the replacement of product only. This warranty is not transferable to any other Guardian service and does not apply to product that is resold after having been put into service. No other person, firm, entity, or the like is authorized to assume or assign for Guardian any other liability in connection with the sale or use of Guardian's products. Furthermore, this warranty is void if any product is changed or altered in any way, or if the product is used in a manner other than for which it is intended. There are no implied warranties of merchantability or fitness for a particular purpose, which are specifically disclaimed.
