

Eclipse ShowerSpa

Model # 1060MB-BA-1.8GPM, 1060MB-BA, 1060MB-SSB-1.8GPM, 1060MB-SSB

PW-91060-4218BB, PW-91060-4225BB, PW-91060-4218BSS, PW-91060-4225BSS

Owner's Manual



Please Read The Following Instructions
COMPLETELY Before Beginning!

You Will Need The Following Tools (NOT INCLUDED)

Soft pencil or felt pen to mark tile

Safety glasses

Tape measure

Level

Channel locks or adjustable wrench

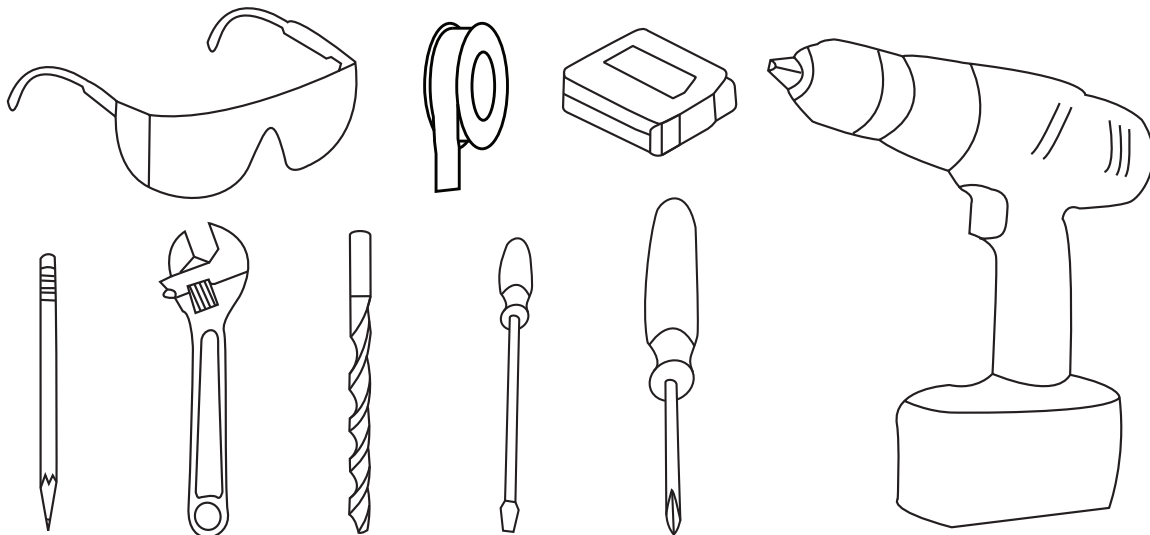
Drill (preferably cordless)

Masonry drill bit

Plumber's Tape

Slotted Screwdriver

Phillips Screwdriver

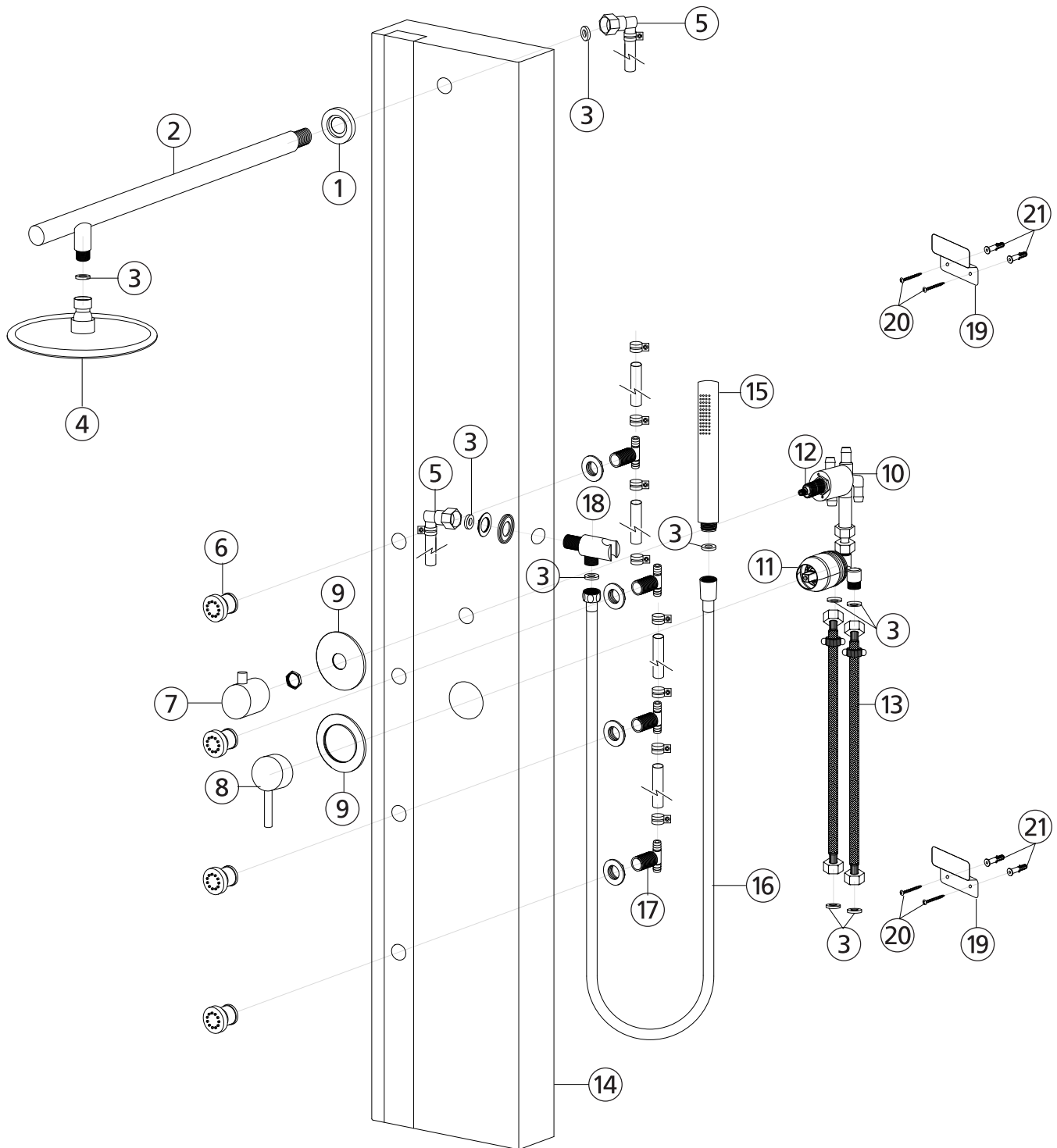


Parts Legend

- 1. Escutcheon
- 2. Shower Arm
- 3. Washer.....(9)
- 4. Showerhead
- 5. Fitting.....(2)
- 6. Body Jets.....(4)
- 7. Diverter Handle

- 8. Valve Handle
- 9. Valve Trim
- 10. Diverter Body
- 11. Pressure Balance Valve
- 12. Diverter Cartridge
- 13. Flex Hose.....(2)
- 14. ShowerSpa

- 15. Wand
- 16. Hose
- 17. Jet Body.....(4)
- 18. Wand Holder
- 19. Shower Brackets.....(2)
- 20. Screws.....(4)
- 21. Wall Anchors.....(4)



Installation Instructions

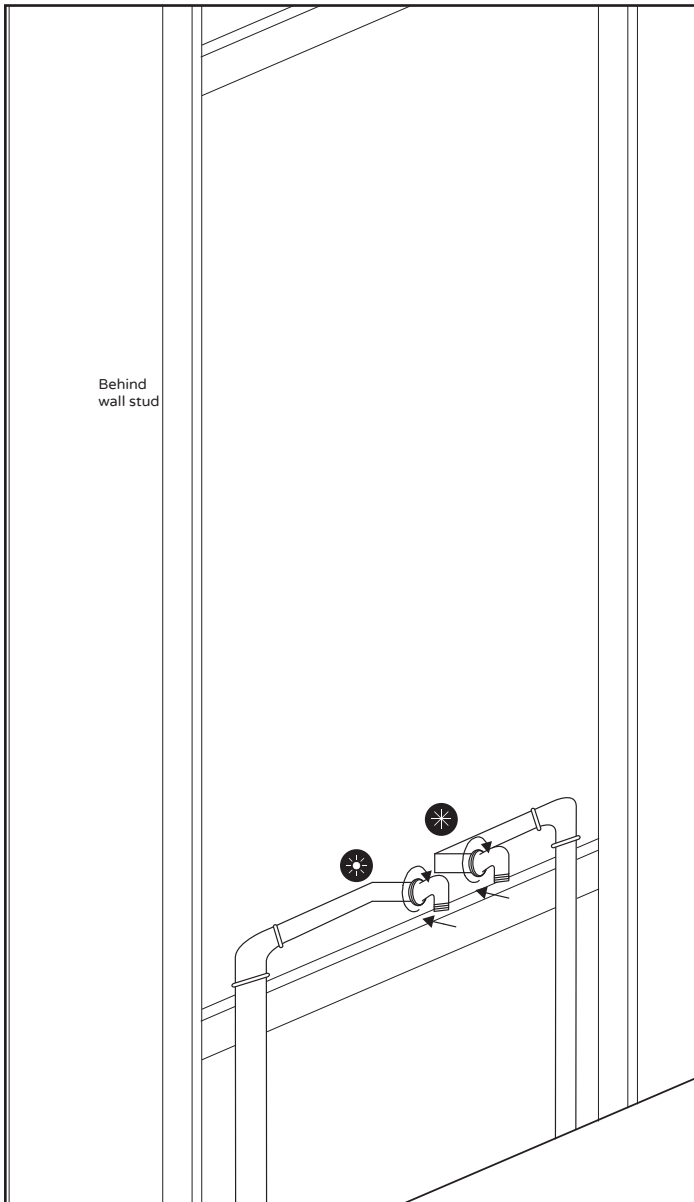
BEFORE YOU BEGIN

Measure the following to ensure your ShowerSpa will fit properly.

Professional installation may be required.

Shut off main water supply

New Construction



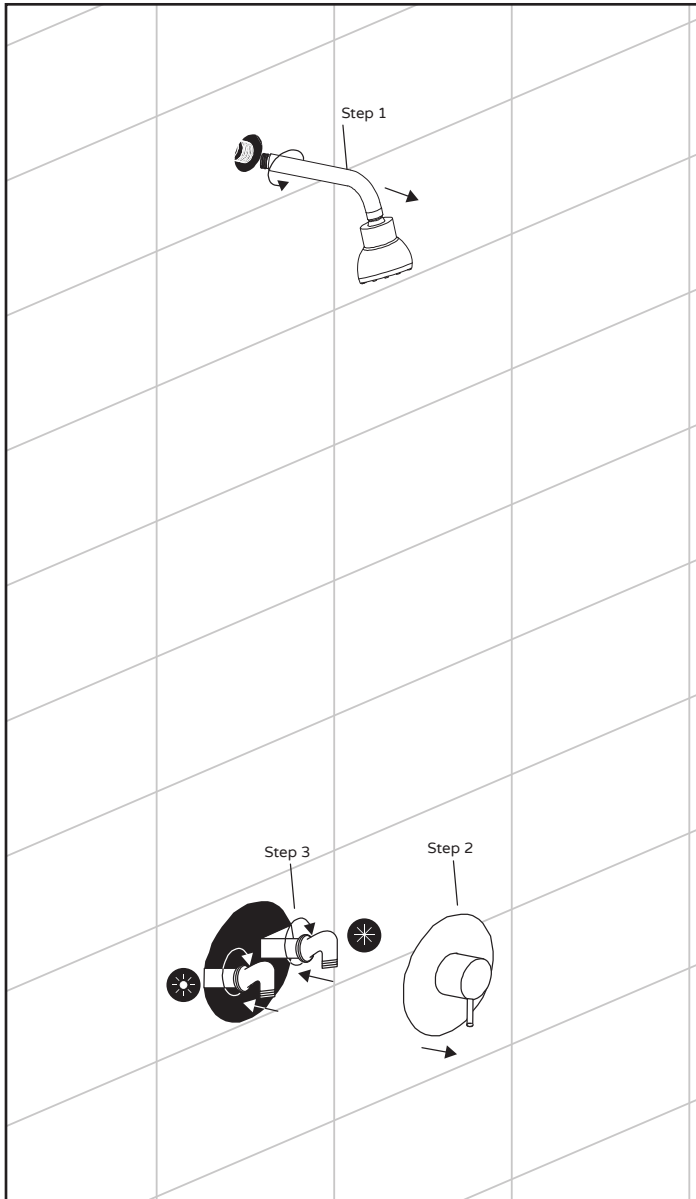
Preparation for installation:

1. This product can only be installed after having plumbing water supply cold and hot water to the wall. They should be placed where you want to install the shower panel.
2. Check that all the parts are available.
3. Before mounting, turn off the main water supply. Please note, this step is very important because it avoids the risk of flooding in your bathroom.
4. Connect an elbow fitting to the hot and cold water connection stub out.*
5. We advise you to clean dirt and residue deposits, before starting the installation of the shower column.
6. Determine the ideal height of the shower column according to your height and bathroom space.

* At the wall outlet, we recommend to put an elbow down position so that the flexible hose is not folded at right angles.

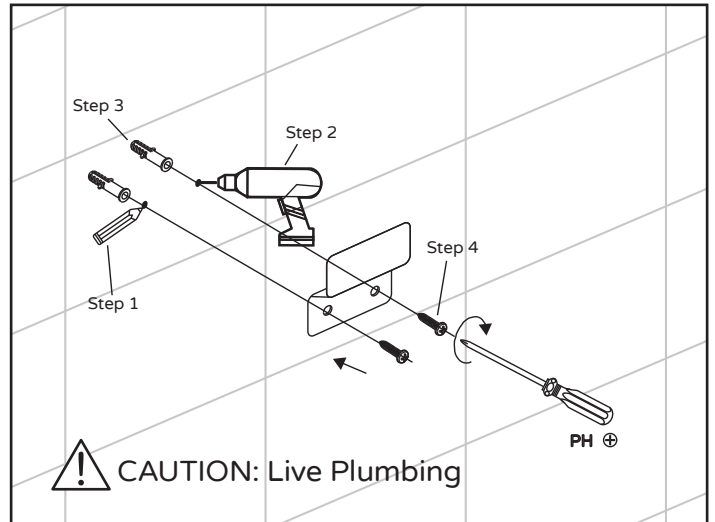
Installation Instructions

Retrofit



- [Step 1] Remove existing shower arm and showerhead. Seal top water supply line.
- [Step 2] Remove existing valve and trim.
- [Step 3] Stub out hot and cold water pipe, install an 90 degree elbow fitting (not provided) pointing down.

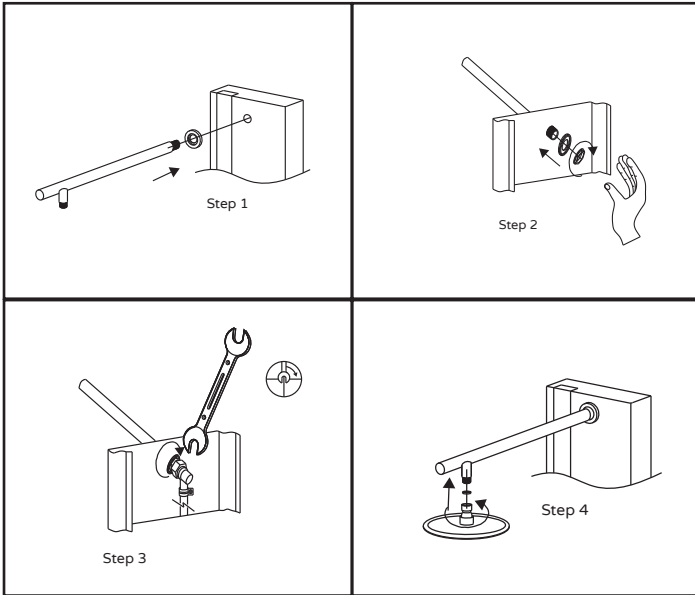
1



- [Step 1] After determining the ideal height for the wall brackets, mark the drill marks according to the distance of the holes in the shower brackets.
- [Step 2] Using a drill, drill the marked holes, being careful not to damage the supply piping.
- [Step 3] Insert wall anchors into the holes. Be sure to clean off any residue before placing them.
- [Step 4] Align shower brackets into position. Place screws in the holes of the shower brackets and screw them into the wall anchors. Tighten screws enough to hold shower brackets securely.

Installation Instructions

2 Shower arm and showerhead assembly



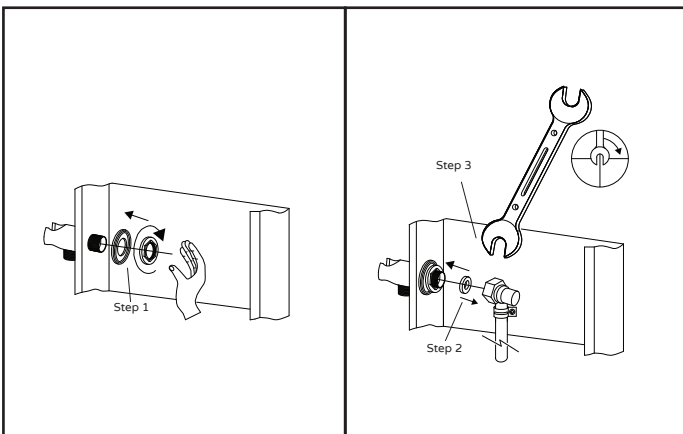
[Step 1] Place escutcheon (1) between the shower arm (2) and ShowerSpa (14).

[Step 2] Inside the ShowerSpa (14), place a washer (3) and screw in the fitting (5).

[Step 3] Connect the hose (16) to the shower arm (2). DO NOT OVERTIGHTEN.

[Step 4] Screw showerhead (4) onto shower arm (2).

3 Hand shower holder assembly

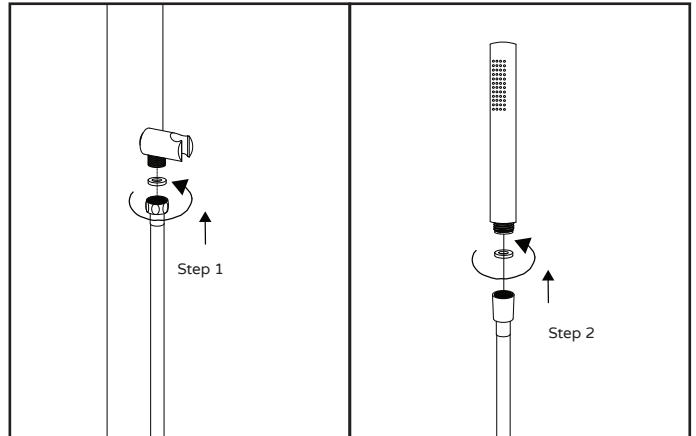


[Step 1] Place wand holder (18) into the side of the ShowerSpa (14).

[Step 2] Inside the ShowerSpa (14), place washer (3) into fitting (5).

[Step 3] Screw fitting (5) into wand holder (18). DO NOT OVERTIGHTEN

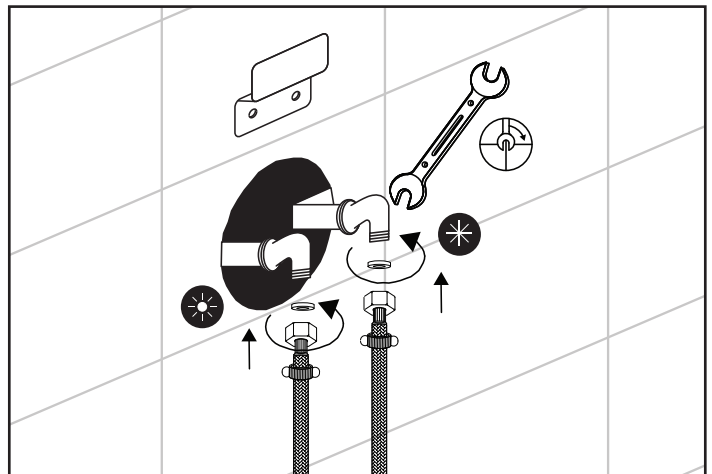
4



[Step 1] Insert washer (3) into the hex end of the wand hose (16). Attach hose to wand holder (18) located on the right side of ShowerSpa (14).

[Step 2] Insert washer (3) into the tapered end of the wand hose (16) and attach the wand (15). Place the tapered end of the hose into the wand holder (18).

5

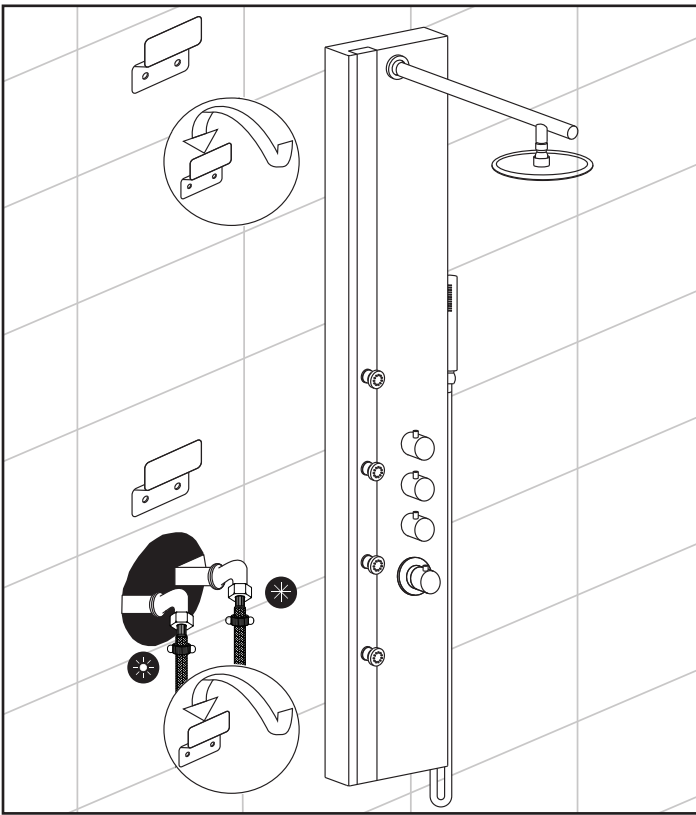


At the back of the ShowerSpa (14), connect the hot/cold flex hose (13) supply line to the plumbing. Be sure to connect hot and cold water properly.

Turn on water and check for any leaks.

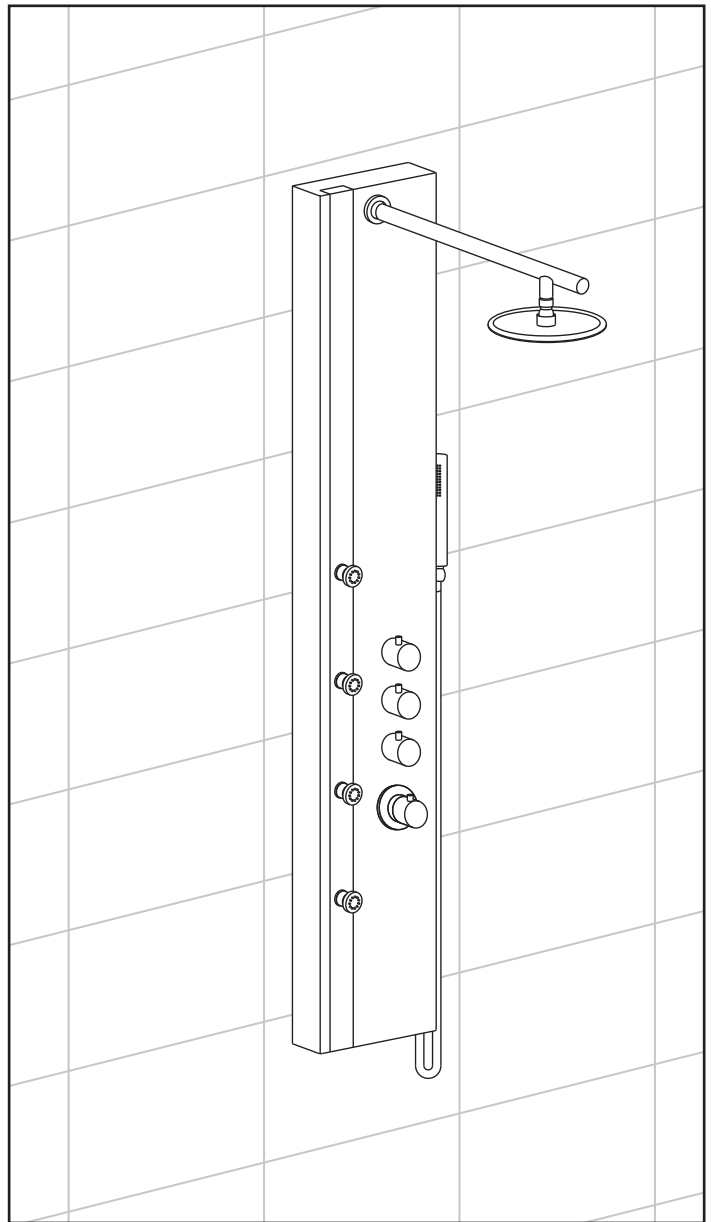
Installation Instructions

6




Hang the ShowerSpa (14) on the shower brackets (19). The ShowerSpa (14) should sit easily on the top and bottom bracket.

7



Product Fully Assembled

 Before use, make sure the ShowerSpa (14) is properly connected. Restore the water supply and check the tightness of the assembly. Always remember to turn the valve handle to "off" after every use.