

LANIKAI

Lanikai Shower System

Model #1028-BN-2.5GPM, 1028-CH-2.5GPM,
1028-BN-1.8GPM, & 1028-CH-1.8GPM

Owner's Manual



Lanikai Shower System Model #1028

You Will Need The Following Tools

Soft pencil or felt pen to mark tile

4mm & 5mm allen wrench

Safety glasses

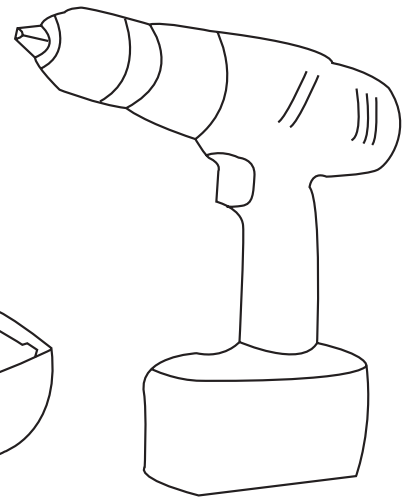
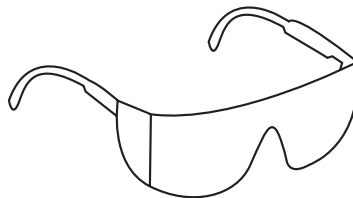
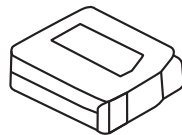
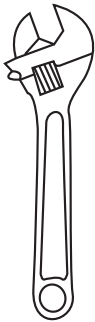
Tape measure

Level

Channel locks or adjustable wrench

Drill (preferably cordless)

Masonry drill bit

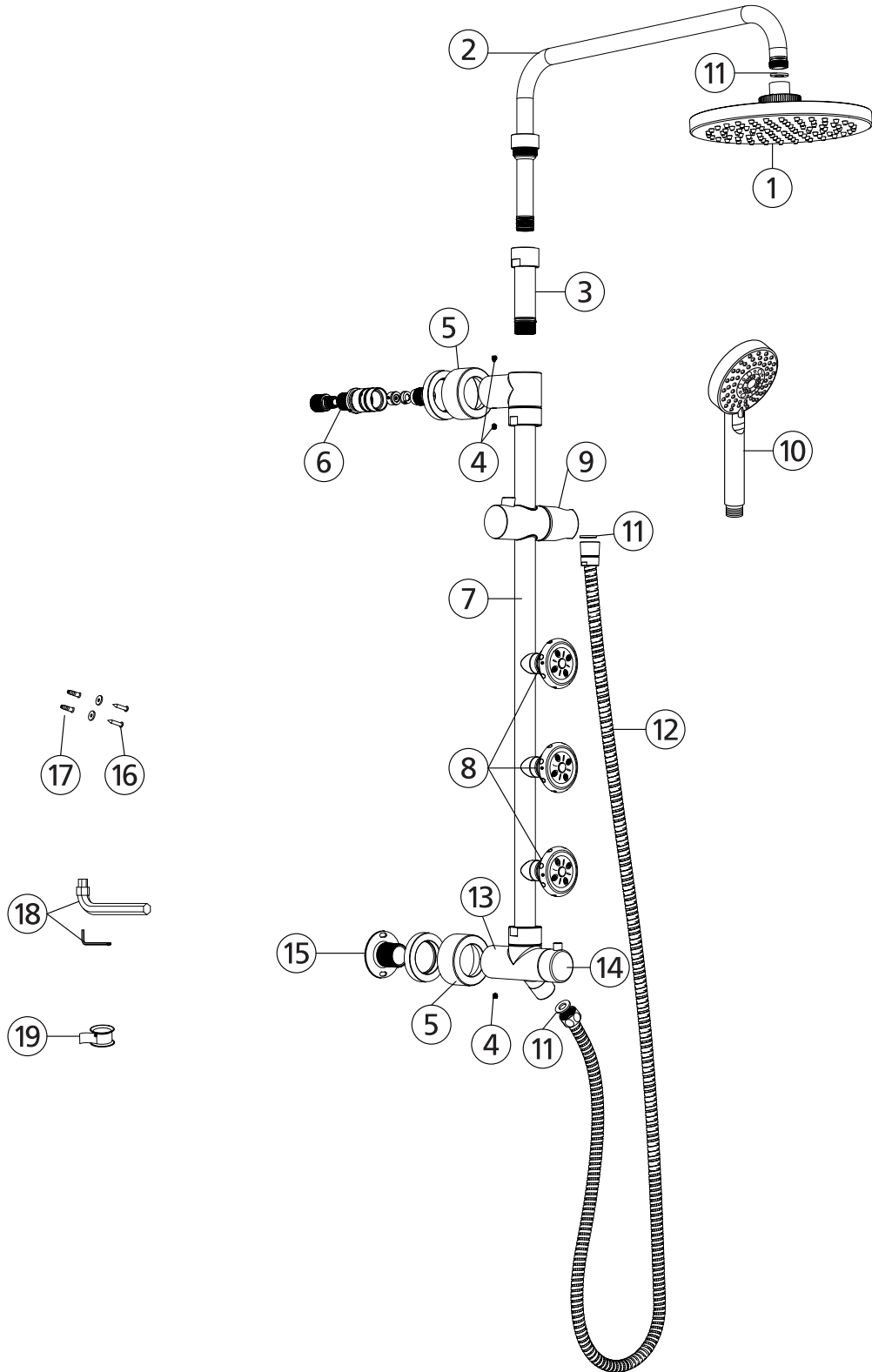


Lanikai Parts Legend

- 1. Showerhead
- 2. Shower Arm
- 3. Shower Arm Riser
- 4. Set Screws
- 5. Escutcheon
- 6. Inlet Fitting
- 7. Shower pipe

- 8. Body Jets
- 9. Handshower Holder
- 10. Handshower
- 11. Washer
- 12. Hose
- 13. Diverter Body
- 14. Diverter Handle

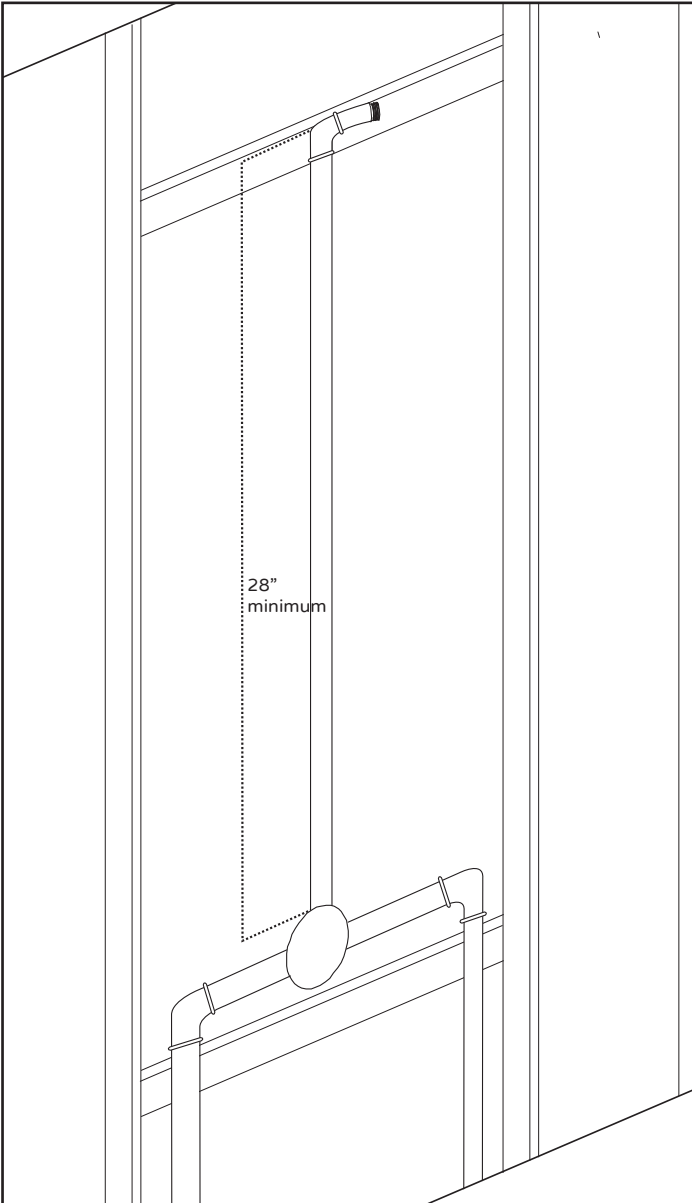
- 15. Wall Mount
- 16. Mounting Screws
- 17. Wall Anchors
- 18. Allen Wrench
- 19. Plumber's Tape
- 20. Glue



BEFORE YOU BEGIN

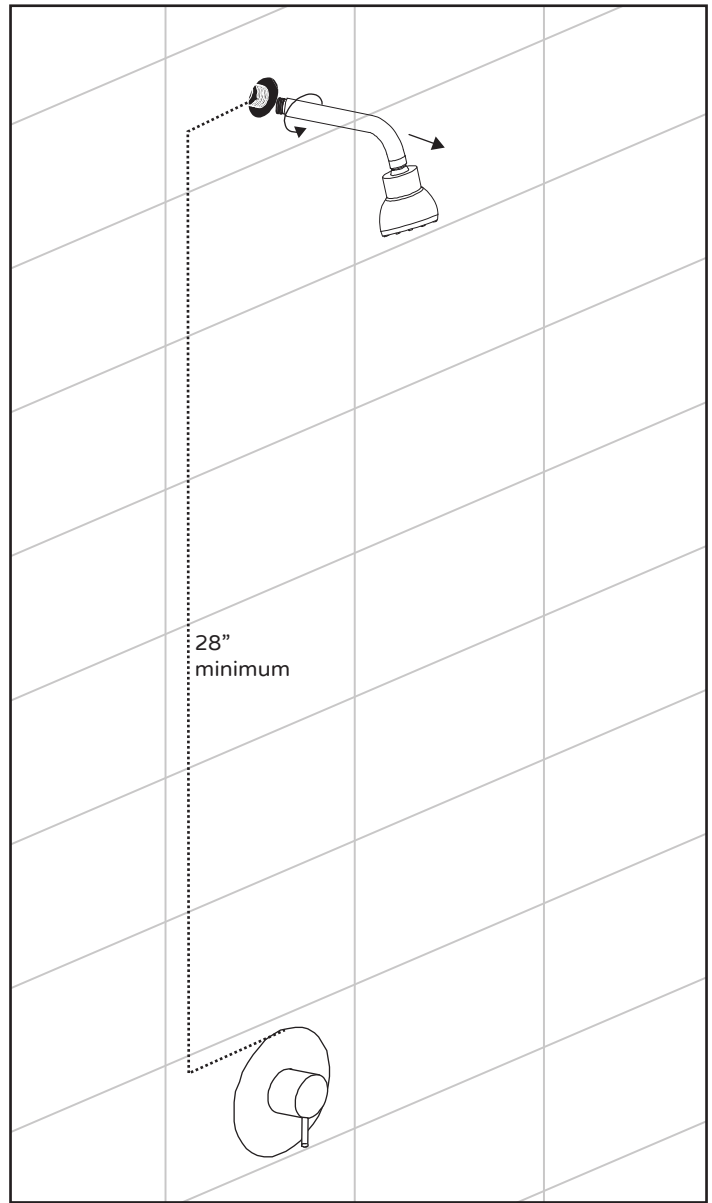
Measure the following to ensure your Lanikai Shower System will fit properly.

New Construction



Make sure distance from water outlet and mixing valve trim (NOT INCLUDED) is a minimum 28" or more.

Retrofit

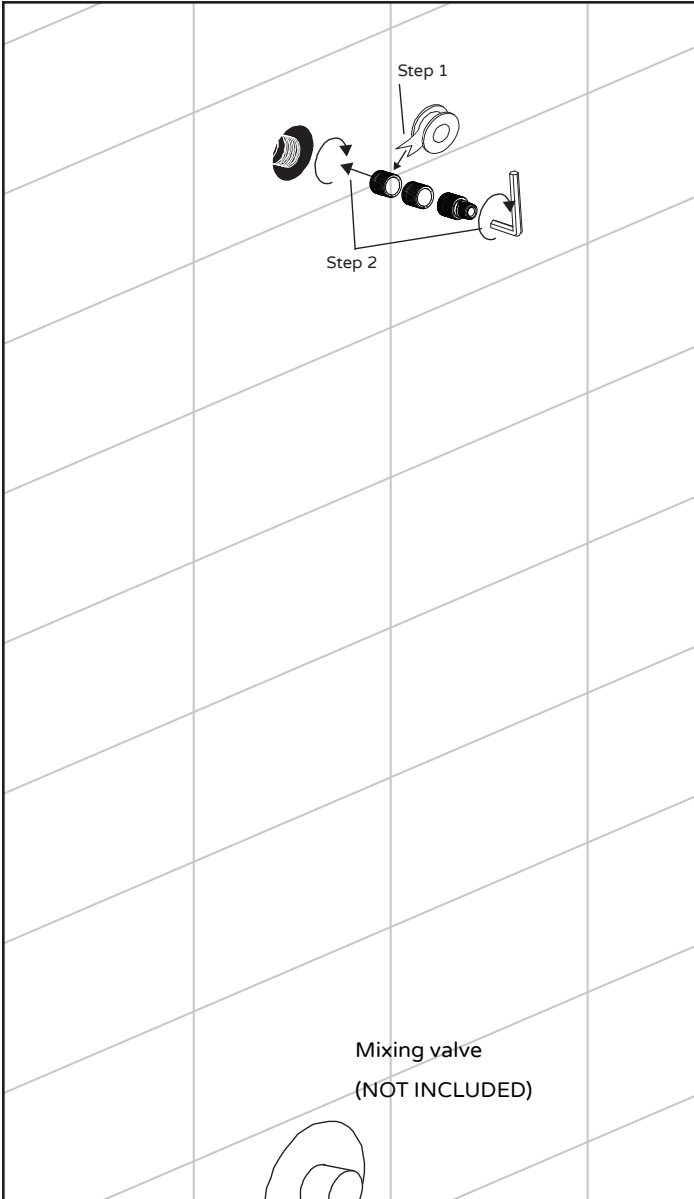


Remove existing shower arm and shower head.

Make sure distance from water outlet and mixing valve trim (NOT INCLUDED) is a minimum 28" or more.

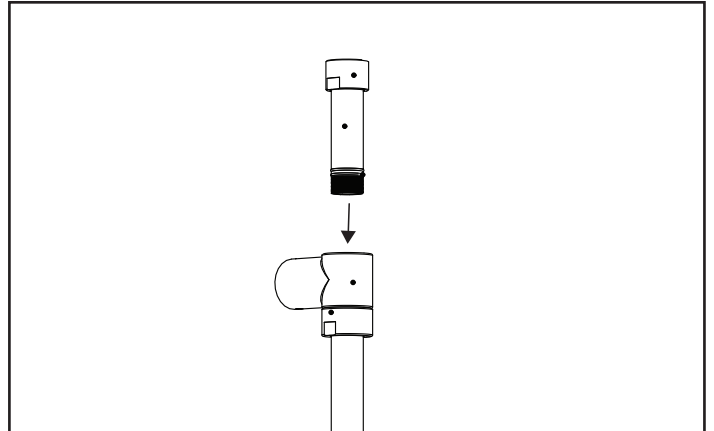
Installation Instructions

1



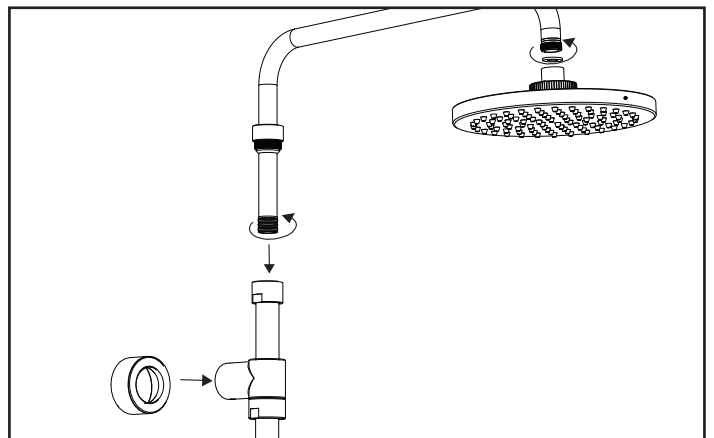
[Step 1] Apply a generous amount of PTFE (plumber's) tape to end of end of nipple.
[Step 2] Screw nipple into fitting which old shower arm was screwed into. Use allen wrench provided to secure. **DO NOT OVERTIGHTEN.**
Use nipple extensions as needed. If you need extra extensions, please contact our customer service department.

2



Screw shower arm riser (3) to shower pipe (7).

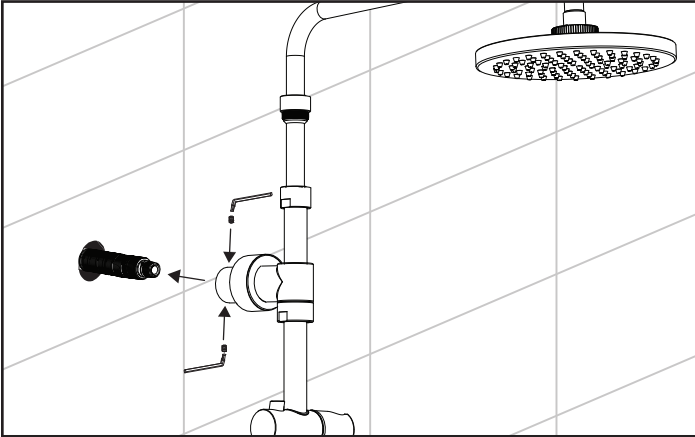
3



Attach shower arm (2) to shower arm riser (3) and secure. Slide escutcheon (5). Screw showerhead (1) to shower arm (2) and secure.

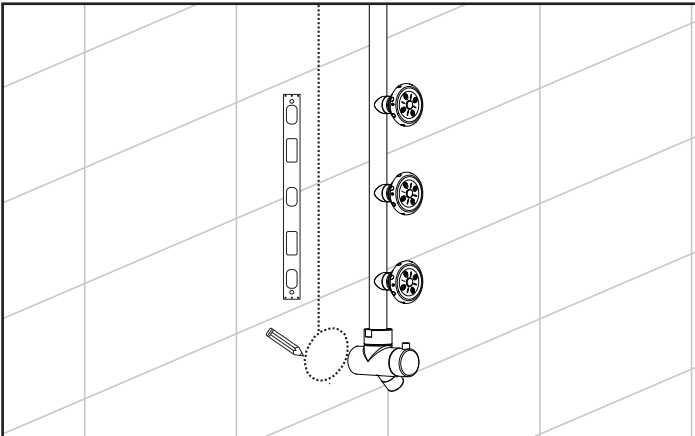
Installation Instructions

4



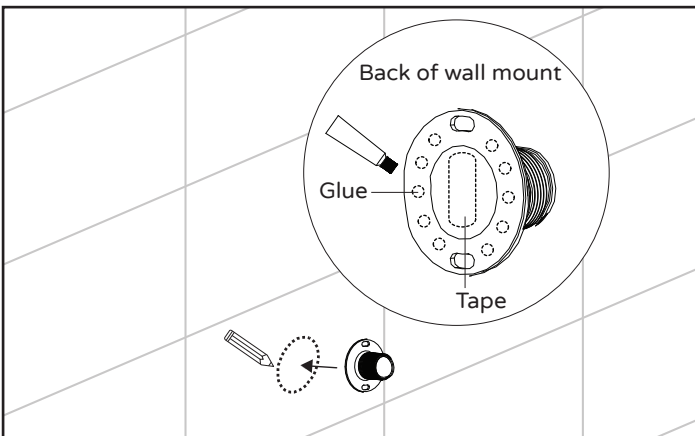
Attach assembled shower to inlet fitting (6) and secure set screw (4) with allen wrench (18) provided.

5



Use level to assure shower pipe is straight and mark diverter body (13) location.

6

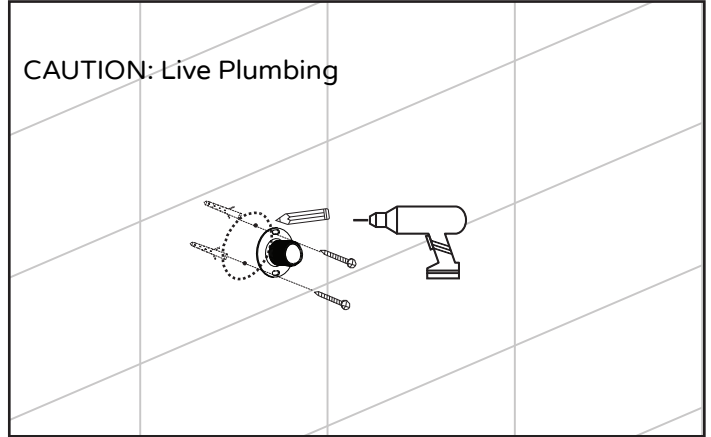


Apply glue to wall mount (15) as indicated and add tape (included) to secure to wall. Let glue cure for 48 hours for complete result.

6.1

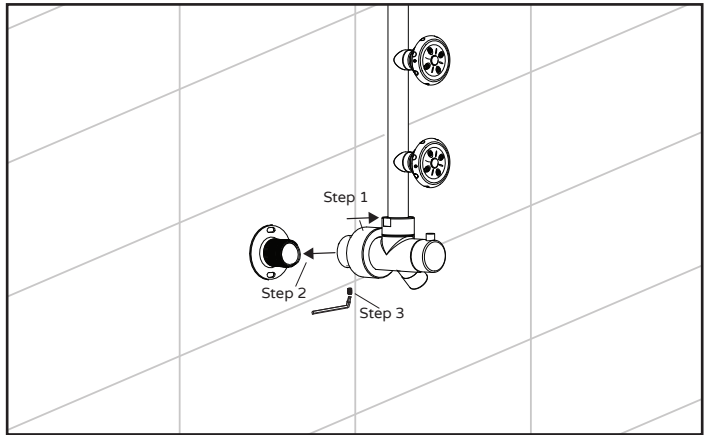
OPTIONAL

CAUTION: Live Plumbing



OPTIONAL: If you wish to drill wall mount (15), place it on marked location and mark holes for drilling. Set wall anchors (17) in place. You can follow Step 6 to place the wall mount (15) for easy, steady, installation. Drill mounting screws (16) into place.

7



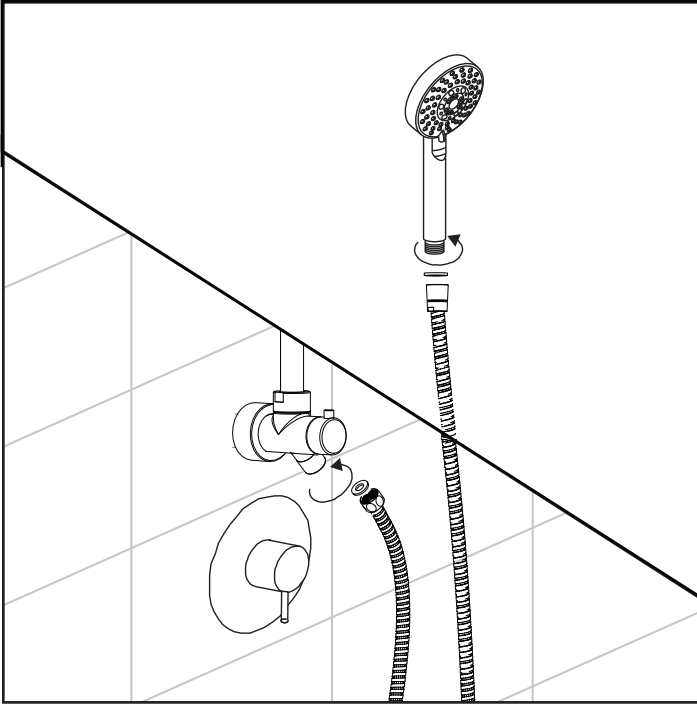
Step 1: Slide escutcheon (5) back in order to place set screw (4) later on.

Step 2: Slide diverter body (13) onto wall mount (15).

Step 3: Secure diverter body (13) to wall mount (15) with set screw (4) provided. Slide back escutcheon (5) to for a concealed finished look.

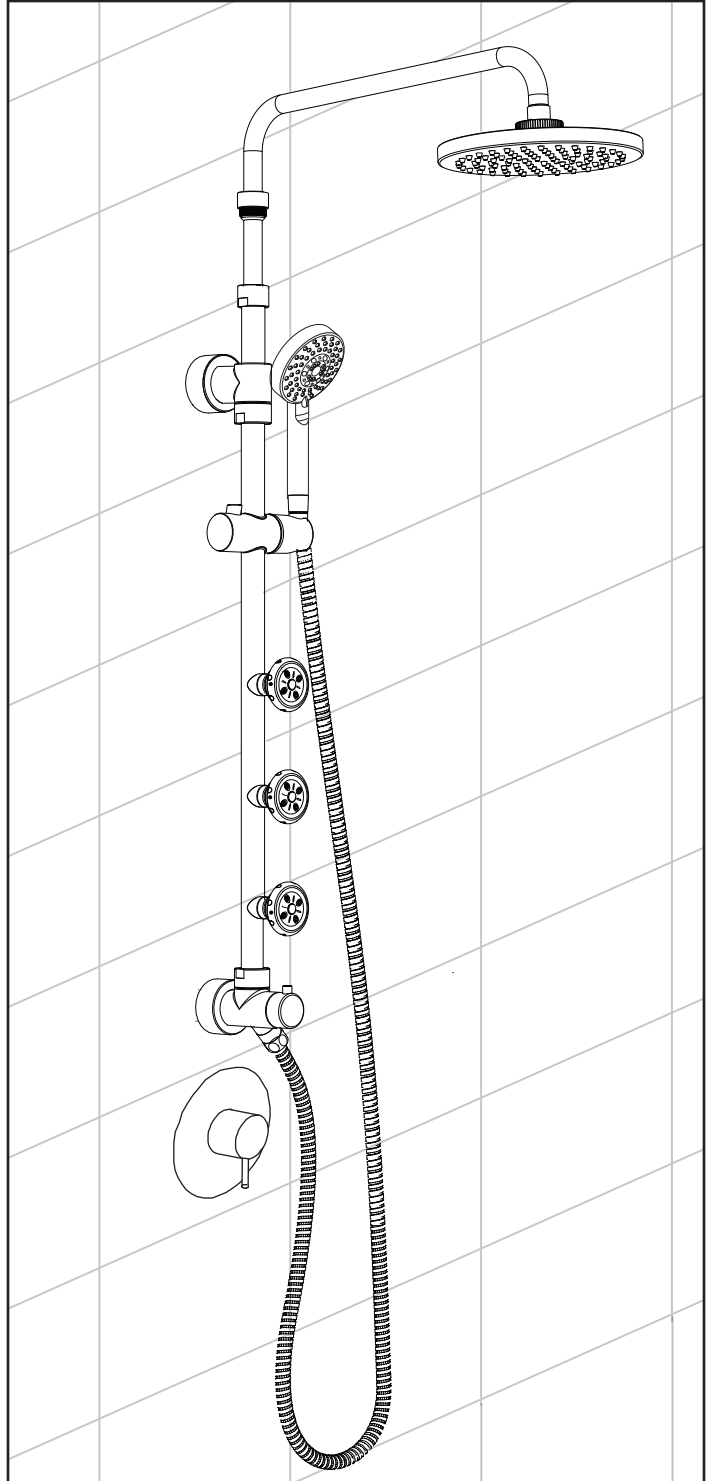
Installation Instructions

8



Insert washer (11) into the hex end of the handshower hose (12). Attach hose (12) to handshower outlet located on the bottom right of the diverter body (13). Insert washer (11) into the tapered end of the handshower hose (12) and attach the handshower (10). Place the tapered end of the hose into the hand shower holder (9).

9



Product Fully Assembled