

AquaRain Shower System

Model # 1019-BN, 1019-CH, 1019-ORB

PW-91019-1325BRN, PW-91019-1325CP, PW-91019-1325BRZ

Owner's Manual



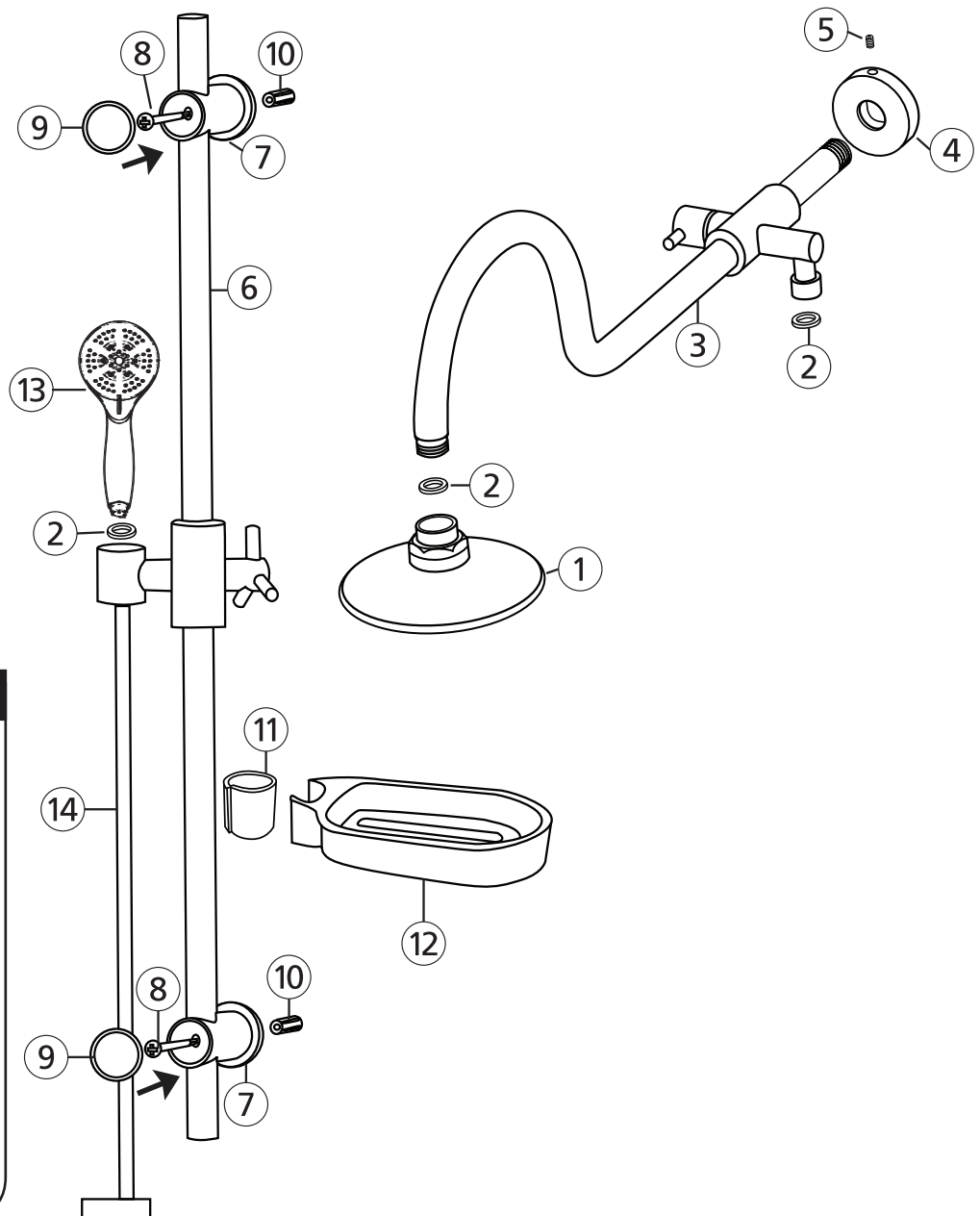
AquaRain Shower System

Please Read The Following Instructions COMPLETELY Before Beginning!

Our goal is to ensure your installation goes smoothly and safely. Please read these instructions carefully and follow recommendations for plumbing and mounting. After reading instructions, if you determine you do not have the necessary skills and/or tools, we recommend that a licensed plumbing contractor complete the installation.

You Will Need The Following Tools

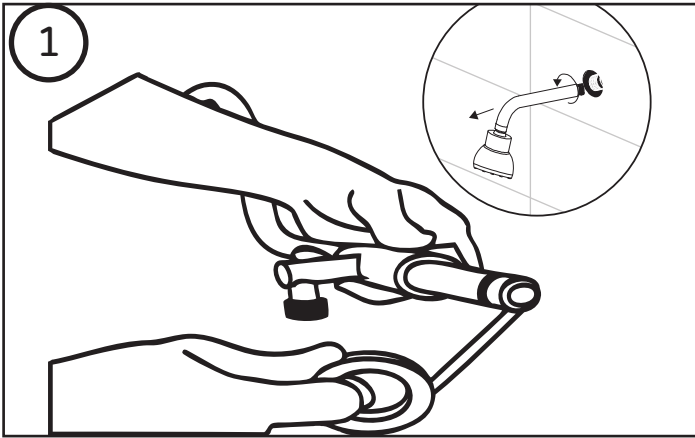
- Channel locks or adjustable wrench
- Drill (preferably cordless)
- 6mm (1/4") Masonry tile/drill bit
- Philips screwdriver
- Pipe wrench
- Safety glasses
- Level



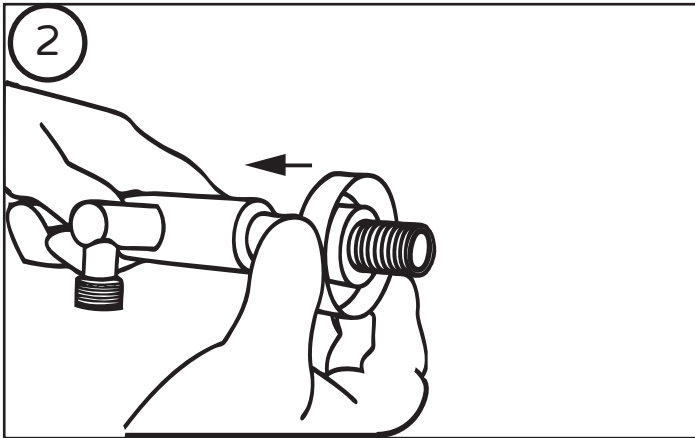
Shower System Parts

1. Showerhead
2. Rubber Washer.....3
3. Shower arm
4. Escutcheon
5. Set Screw
6. Slide Bar
7. Slide Bar Mounts.....2
8. Screw 3.375".....2
9. Mount Covers.....2
10. Wall Anchors.....2
11. Tapered Nylon Sleeve.....2
12. Soap Dish.....2
13. Handshower
14. Handshower Hose

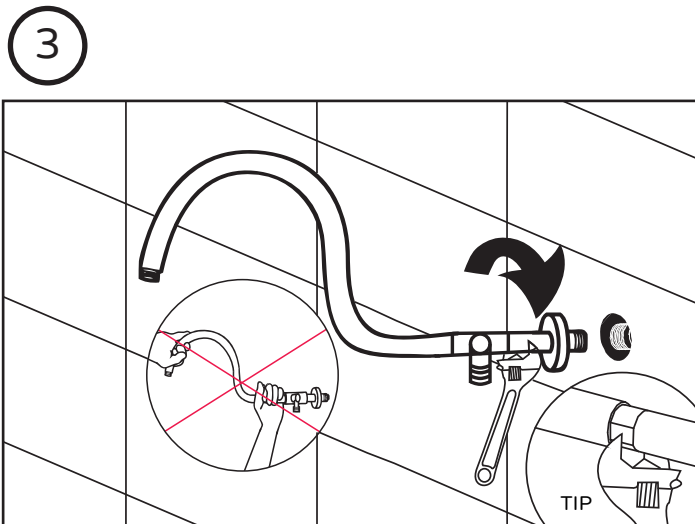
Installation Instructions



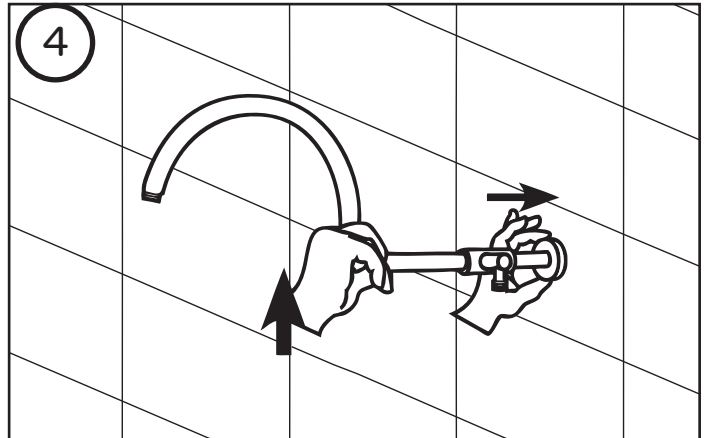
1 Remove existing shower arm and shower head. Wrap threads of shower pipe with Teflon tape and/or pipe sealant to make ensure no leaks.



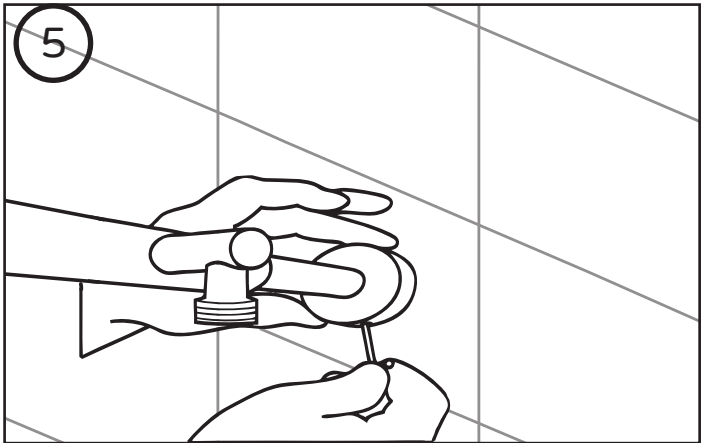
2 Slide escutcheon over threaded shower pipe.



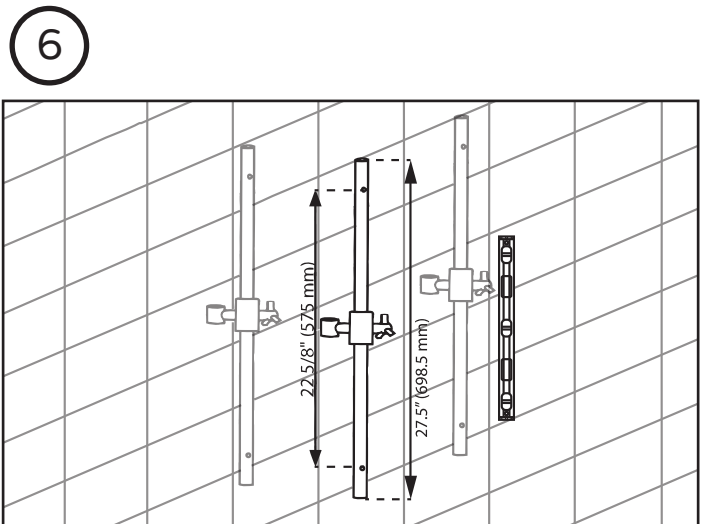
3 Insert threaded pipe into female wall fitting and tighten securely. TIP: Use diverter body to tighten by hand or use a pipe wrench on inlet piece closest to wall.



4 Slide escutcheon against wall, make sure the shower system is leveled.



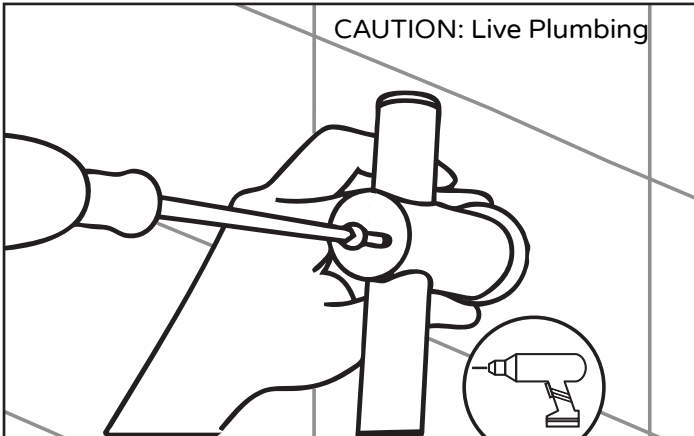
5 Secure set screw. DO NOT OVERTIGHTEN.



6 Hold adjustable slide bar (6) in desired mounting location. Evaluate range of adjustment and potential interference of handshower hose (15). Use level to assure shower pipe is straight.

Installation Instructions

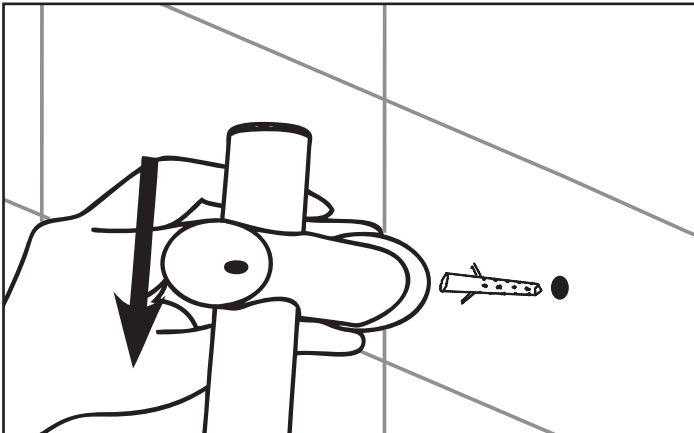
7



Mark wall for two mounting holes. Before drilling ensure no live plumbing can be damaged. Slowly drill 1/4" (6mm) wide by 1" (25mm) deep holes 22 5/8 inches (575mm) apart.

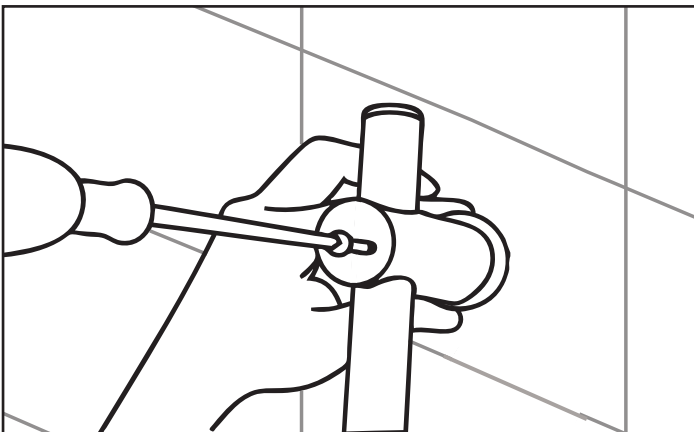
IMPORTANT: Supplied anchors are for solid surfaces only i.e. tiles, marble, etc. If mounting to hollow or fiberglass wall, a different anchor/screw and hole size may be required.

8



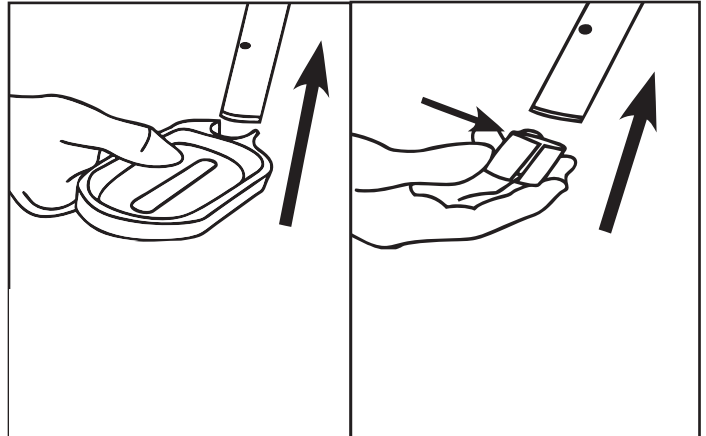
Insert wall anchors (10) until flush with wall. Slide top mount (7) over slide bar.

9



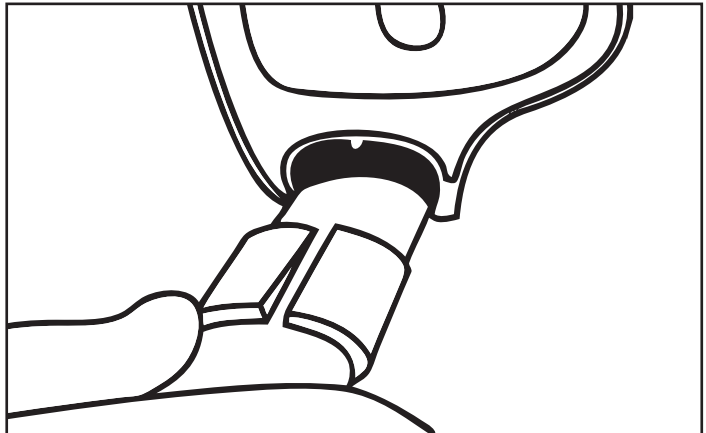
Use screw driver to secure screw (8).

10



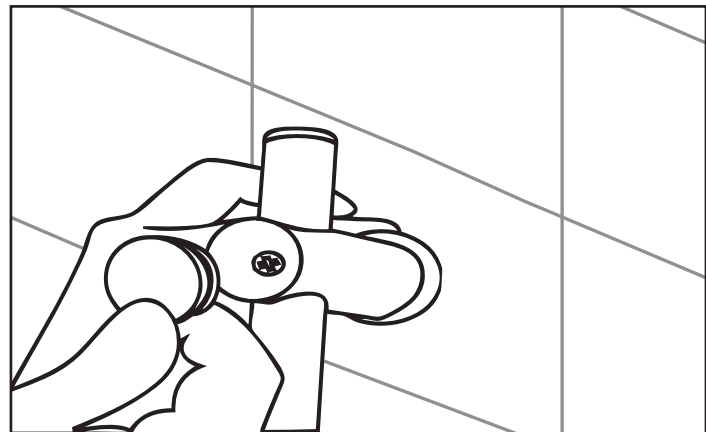
Slide ABS soap dish (12) onto slide bar followed by narrow end of tapered nylon sleeve (11).

11



Align tab on soap dish with slot on sleeve and push soap dish down until flush. Slide lower mount (7) over slide bar and secure set screw (8).

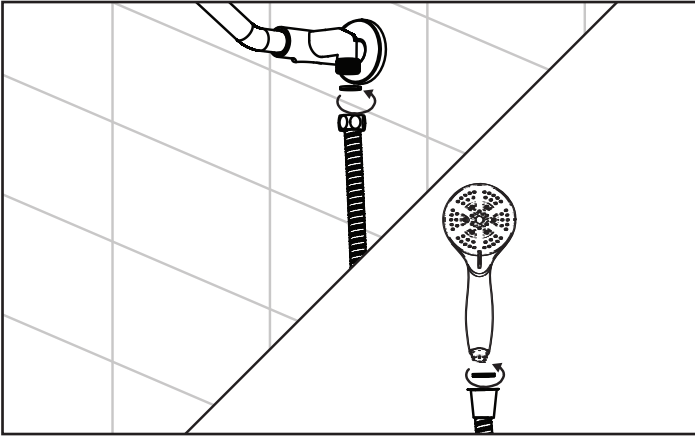
12



Press covers (9) onto mounts (7).

Installation Instructions

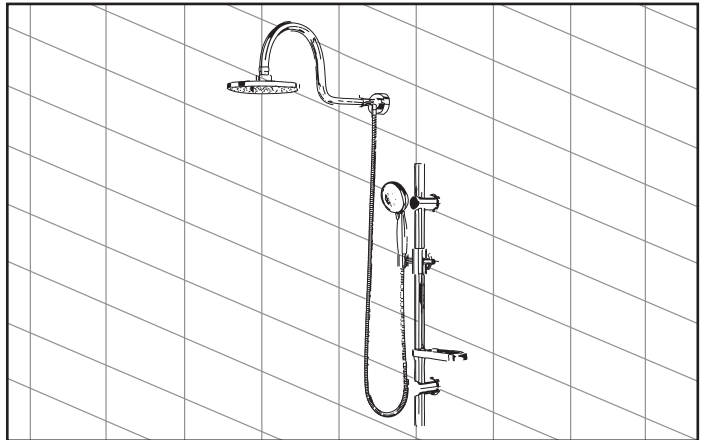
13



Place washer (2) in hex end of hose (15) and connect to diverter outlet.
Place washer (2) in tapered end of hose and connect handshower (13).
Place handshower onto holder.

Insert rubber washer (2) in showerhead (1) and secure showerhead (1) to shower arm (3).

14



Product fully assembled.