



Navajo ShowerSpa  
Model #1018

PW-91018-5125HCO

Owner's Manual



## Please Read The Following Instructions COMPLETELY Before Beginning!

Our goal is to ensure your installation goes smoothly and safely. Please read these instructions carefully and follow recommendations for plumbing and mounting. After reading instructions, if you determine you do not have the necessary skills and/or tools, we recommend that a licensed plumbing contractor complete the installation.

If you encounter any problems during installation  
PLEASE VISIT CUSTOMER SUPPORT AT  
[WWW.PULSESHOWERSPAS.COM](http://WWW.PULSESHOWERSPAS.COM)  
Before returning your ShowerSpa to the store

### You Will Need The Following Tools

Soft pencil or felt pen to mark tile

4mm & 5mm allen wrench

Safety glasses

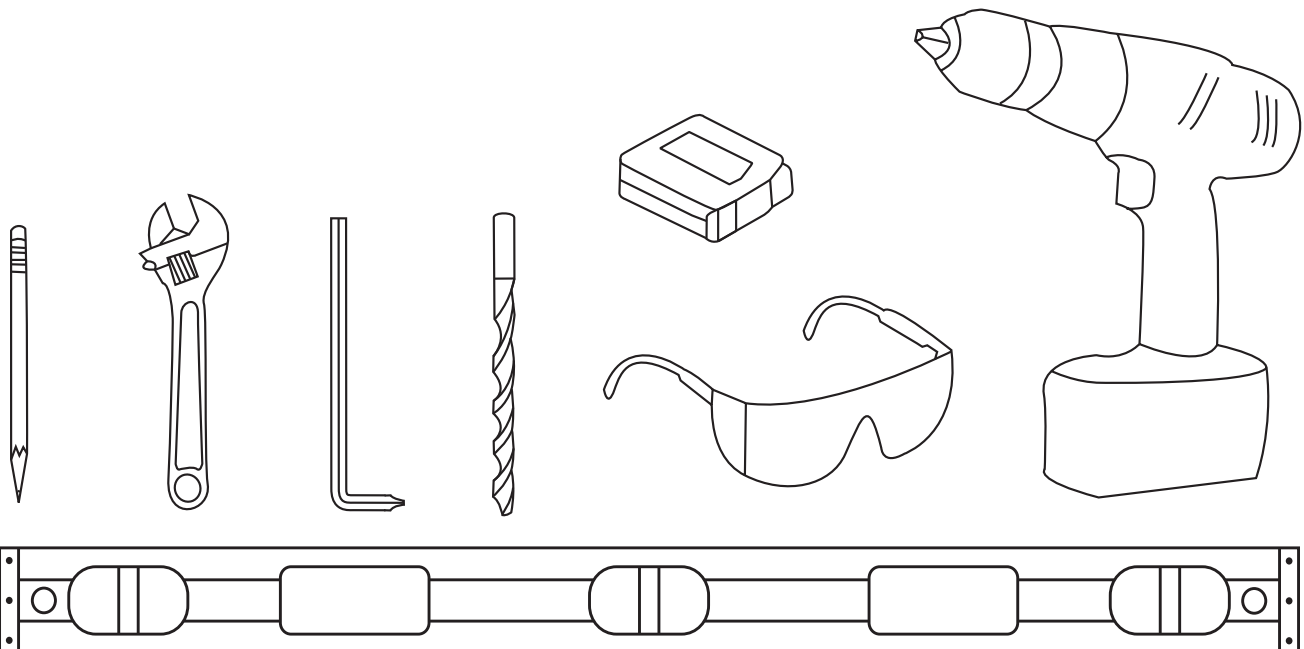
Tape measure

Level

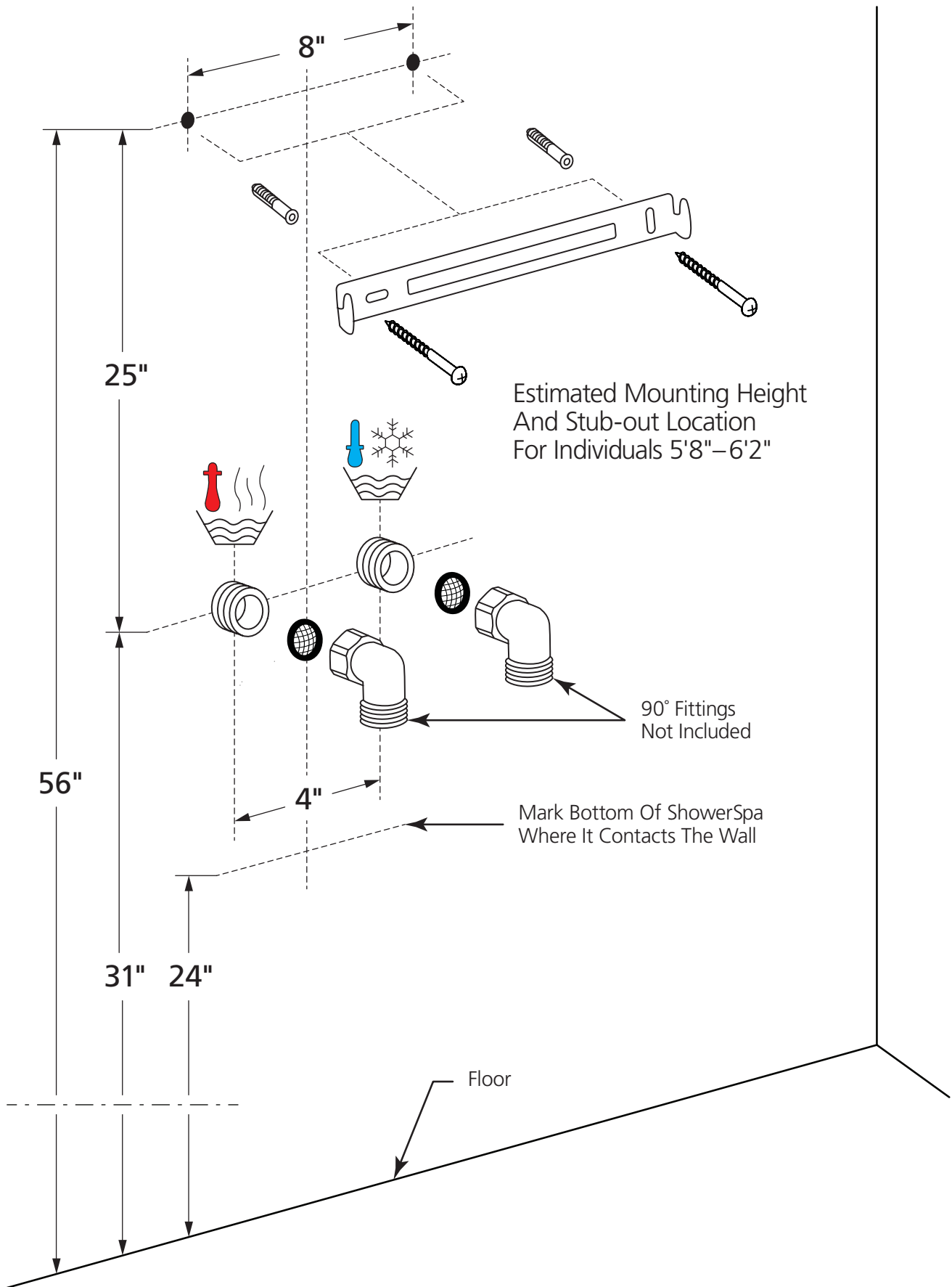
Reciprocating saw w/ metal cutting blade (Sawzall®)

Channel locks or adjustable wrench

Drill (preferably cordless) with ¼" Masonry drill bit

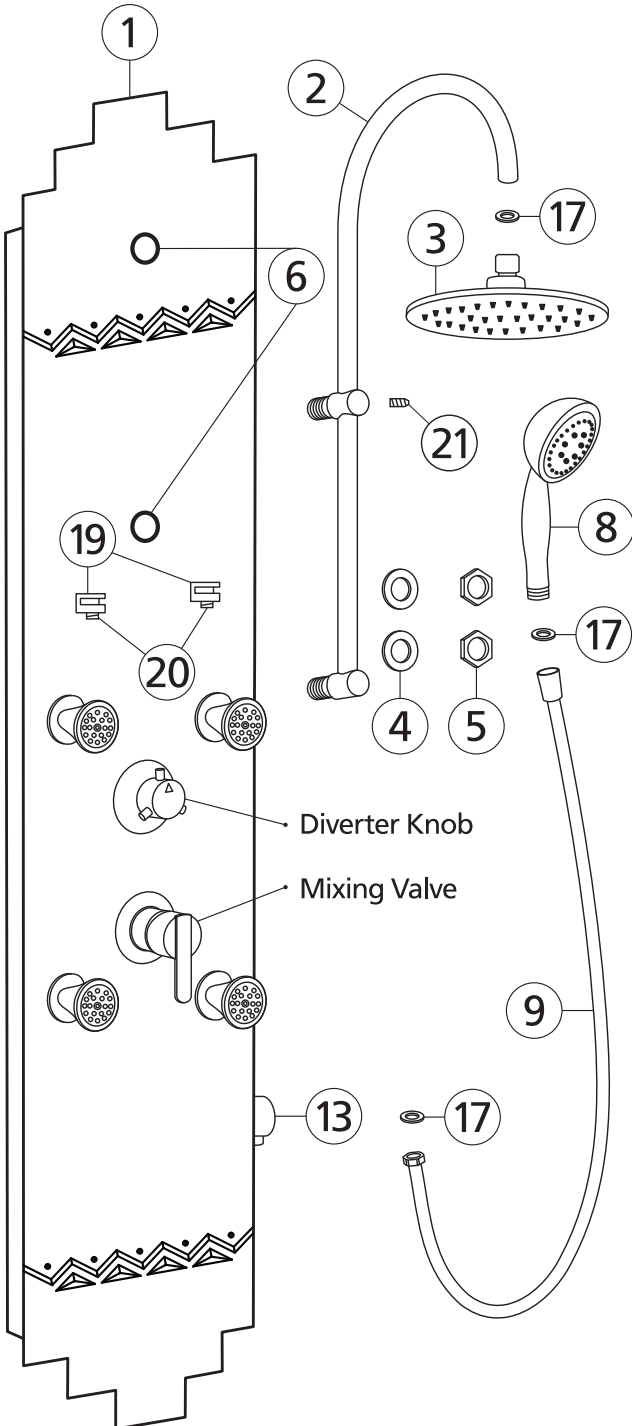


# Mounting Bracket & Stub-out Location

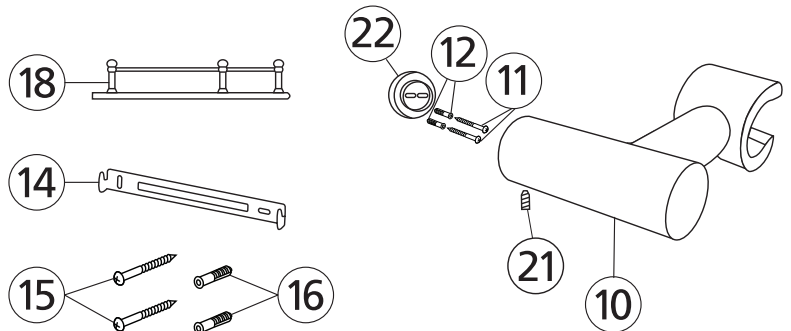
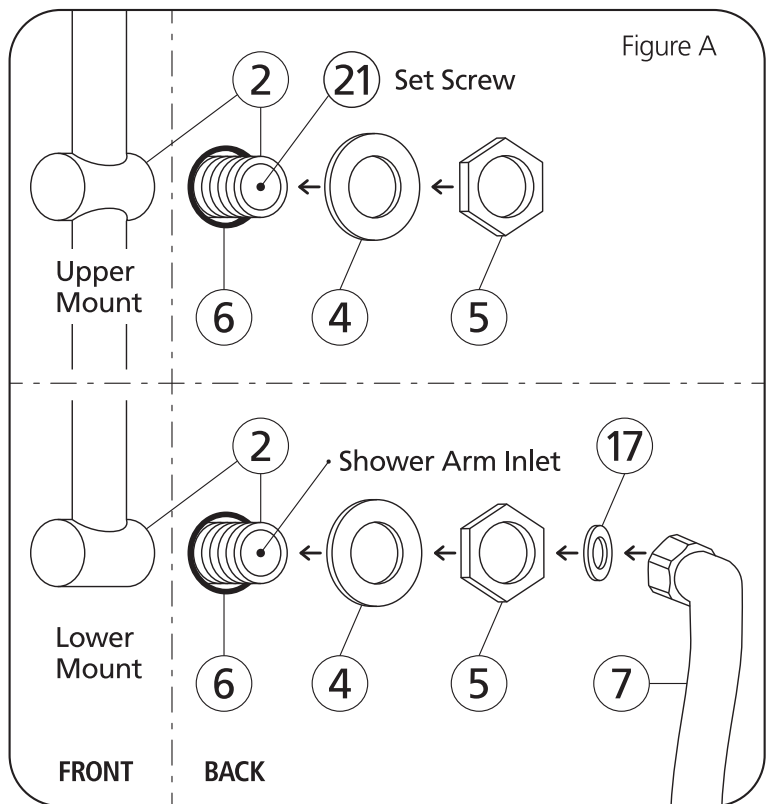


# Parts Legend

- |                               |                               |                              |
|-------------------------------|-------------------------------|------------------------------|
| 1. ShowerSpa                  | 9. Handshower Hose            | 17. Rubber Washer..... (4)   |
| 2. Shower Arm                 | 10. Handshower Holder         | 18. Glass Shelf              |
| 3. Showerhead                 | 11. Mounting Screw A          | 19. Shelf Mount..... (2)     |
| 4. Large Rubber Washer... (2) | 12. Nylon Anchor A            | 20. Shelf Set Screw..... (2) |
| 5. Brass Nut..... (2)         | 13. Handshower Outlet         | 21. Set Screw                |
| 6. Shower Arm Outlet          | 14. Mount Bracket             | 22. Wall mount               |
| 7. Shower Arm Supply Line     | 15. Mounting Screw B..... (2) |                              |
| 8. Handshower                 | 16. Nylon Anchor B..... (2)   |                              |



## SHOWER ARM INSTALLATION



# Assembly

## After Unpacking Your ShowerSpa, Some Assembly Is Required Prior To Installation

### Shower Arm Assembly Figure A

1. Before installing the shower arm (2) you need to align the mounts to the shower arm outlets (6). Loosen set screw (21) inside the top mount of the shower arm (2) with a 4mm allen wrench. Position so both mounts line up with the two shower arm outlets (6) on the front of the ShowerSpa. Gently tighten the set screw (21) inside the top mount—DO NOT OVERTIGHTEN.
2. Hold the shower arm (2) in place and put the large rubber washers (4) over the threads on the backside of the ShowerSpa. Tighten securely with brass nuts (5).
3. Insert a rubber washer (17) inside the shower arm supply line (7) and attach to the lower mount of the shower arm (2).

### Glass Shelf Assembly

1. Place the glass shelf (18) into the shelf mounts (19). If the shelf won't go in, you may need to first loosen the set screws (20).
2. When shelf is fully inserted use a 5mm allen wrench to tighten the set screws—DO NOT OVERTIGHTEN.

## After The ShowerSpa Is Mounted To The Wall

### Handshower Holder Assembly

1. Unscrew ring (retaining all parts) on the handshower holder (10) to expose the mounting hole.
2. Locate the desired mounting location of the handshower holder (10) and mark hole on wall.
3. Drill a ¼" hole through wall surface using a masonry bit. Drill slowly through wall surface to avoid cracking and chipping.
4. Insert nylon anchor A (12) into hole in wall and securely tighten handshower holder (10) to wall with mounting screw A (11).
5. Reattach the ring and all parts.

### Connect The Handshower and Showerhead

1. Insert a rubber washer (17) into the hex end of the handshower hose (9), and attach to the handshower outlet (13).
2. Insert a rubber washer (17) into the tapered end of the handshower hose (9) and attach to the handshower (7). Place the tapered end of the hose into the handshower holder (10).
3. Insert a rubber washer (17) inside the threaded nut on top of the showerhead (2) and attach to the shower arm (3).

# Installation

## New Construction or Extensive Remodel – New Finished Wall Surface

1. Prior to sheetrock, stub-out ½" hot and cold supply lines beyond finished wall surface, 4" on center. For best results, attach 90° brass fittings (available at most hardware stores) to the stub-outs maintaining ¼"–½" of space between the fitting and finished wall. The open end of the 90° brass fittings should point down so the supply lines attach parallel to the wall.<sup>1</sup>
2. The height of the stub-outs is completely dependent upon the desired mounting height of your Navajo ShowerSpa. For a person 5'8"–6'2" we recommend the stub-outs be 31" from finished floor.<sup>2</sup>
3. Before installation, make certain that water is COMPLETELY TURNED OFF to both hot & cold supply lines of shower.
4. Mark location of holes for the mounting bracket, making sure bracket is level. For a person 5'8"–6'2" tall, we recommend placing the holes of the upper bracket at 56" from finished floor height.<sup>3</sup>

- NOTE—Before drilling holes for the bracket, make certain ShowerSpa will rest flat against finished wall surface at the desired mounting height with supply lines connected.
5. Drill ¼" holes through wall surface using a masonry bit. Drill slowly through wall surface to avoid cracking and chipping. Insert anchors and securely screw brackets to wall. Before connecting hot and cold supply lines, hang the ShowerSpa on wall, check the height and make sure the ShowerSpa is flush against wall with a secure fit.
  6. Connect hot and cold water supply lines to stub-outs—DO NOT OVERTIGHTEN. Before mounting the ShowerSpa, check fittings to make sure they are secure. Turn on water and check for leaks. When fittings are leak-free, mount ShowerSpa on wall.
  7. OPTIONAL—Seal around body of ShowerSpa with a bead of silicone. DO NOT SEAL BOTTOM.

## Retrofit – Existing Shower Replacement

NOTE—In a remodel in which you are not replacing the finished wall surface (tile, or backing material) it is advisable to purchase a PULSE ShowerSpa model that covers the location of your existing valve assembly—either single handle or two-handle type. If your PULSE ShowerSpa model does not cover this area, you will need to either choose another PULSE ShowerSpa model that does or make necessary repairs with appropriate materials (i.e. wallboard, tile, fiberglass, etc).

1. TURN OFF WATER SUPPLY TO SHOWER. Typically there is a gate valve where the water main enters the house. Turning the water valve off at hot water tank does not turn off cold water supply line.
2. Make certain water is completely turned off to both hot & cold supply lines of shower. Turn shower valve on, both hot and cold, to VERIFY WATER SUPPLY IS OFF. Open a sink faucet in the bathroom in which you are installing the ShowerSpa to relieve any pressure and help adequately drain shower supply lines.
3. Remove handle(s) and trim cover(s) of your existing shower valve, exposing valve body in wall.
4. Locate hot and cold supply lines entering valve. Using a reciprocating saw with sharp metal saw blade, cut existing valve out, preserving threads of the supply lines entering valve. You should also cut the riser within wall supplying the existing showerhead. Carefully twist and remove valve.
5. Unscrew old showerhead from shower arm, then unscrew shower arm from wall.
6. Water lines must be extended to the outside of wall cavity, 4" on center. For best results, attach 90° brass fittings (available at most hardware stores) to the stub-outs maintaining ¼"–½" of space between the fitting and finished wall. The open end of the 90° brass fittings should point down so the supply lines attach parallel to the wall.<sup>1</sup>
7. Make certain that when you connect to the stub-outs they DO NOT INTERFERE with the backside of the ShowerSpa after mounting.<sup>3</sup>
8. Mark location of holes for the mounting bracket, making sure bracket is level. For a person 5'8"–6'2" tall, we recommend placing the holes of the upper bracket at 56" from finished floor height.<sup>3</sup> Before drilling holes for bracket, make certain ShowerSpa will rest flat against finished wall surface at the desired mounting height with supply lines connected.
9. Drill ¼" holes through wall surface using a masonry bit. Drill slowly through wall surface to avoid cracking and chipping. Insert anchors and securely screw brackets to wall. Before connecting hot and cold supply lines, hang ShowerSpa on wall, check the height and make sure ShowerSpa is flush against the wall with a secure fit.
10. Connect hot and cold water supply lines to stub-outs—DO NOT OVERTIGHTEN. Before mounting the ShowerSpa, check fittings to make sure they are secure. Turn on water and check for leaks. When fittings are leak-free, mount ShowerSpa on wall.
11. OPTIONAL—Seal around body of ShowerSpa with a bead of silicone. DO NOT SEAL BOTTOM.

<sup>1</sup> Additional fittings or longer supply lines may be necessary depending on your specific situation.

<sup>2</sup> The desired mounting height of ShowerSpa determines height of the ½" stub-outs. The stub-outs must be located at a height allowing supply lines to be connected and body of ShowerSpa to rest flat against finished wall.

<sup>3</sup> The mounting height can vary depending on several factors (i.e. location of supply lines, interference from ShowerSpa plumbing, old valve access area, personal preference, etc.)

## Usage

### Pressure Balance Mixing Valve

This ShowerSpa is equipped with a cUPC® pressure balance mixing valve to adjust water flow and temperature. The valve automatically adjusts to changes in water pressure (i.e. someone flushes a toilet), keeping your temperature constant and preventing accidental scalding. To turn on the ShowerSpa simply raise the handle until the desired flow rate is achieved. Rotate to the right to decrease temperature and rotate to the left to increase temperature. Be sure that the handle is in the OFF position when you are done using your ShowerSpa so that pressure does not build up inside the unit.

### Brass Diverter

The brass diverter is used to change between ShowerSpa functions. Simply rotate the diverter knob either direction to select the desired function—showerhead, handshower or body jets.

### Body Jets

This ShowerSpa is equipped with four 3-function brass Infinity Jets™ with 3 spray patterns. The angle of each jet can be adjusted by simply tilting the jet.

### Handshower

The handshower has three individual functions and two combo functions. Rotate the head of the handshower left or right to change between the power spray, pulsating massage or gentle cascade functions. To adjust angle of handshower, loosen ring on the handshower holder, gently rotate toward you or the wall, then tighten ring.

## Care and Maintenance

Always blot dry any water from the surface of your ShowerSpa. To help protect your ShowerSpa from hard water stains and mineral deposits, use an auto spray wax periodically and wipe down your ShowerSpa after each use. Allowing water to evaporate on the surface can lead to a buildup of mineral deposits. Cleaning with a damp, nonabrasive sponge and drying with a clean soft cloth should help keep your ShowerSpa looking beautiful.

## R E M E M B E R

**NEVER** use any abrasives or harsh cleaners!

**Clean with mild soap and water ONLY!**

**To keep your ShowerSpa in pristine condition,  
DRY AFTER EACH USE!**

# MANUFACTURER'S LIFETIME LIMITED WARRANTY

1. Defects Covered; Warranty Period: Pulse Shower Spas, Inc. ("Pulse") warrants to the original consumer purchaser who purchases this shower spa (the "Product") for use in his or her own home, that the Product will be free from defects in material and manufacturing workmanship for as long as the original consumer purchaser owns that same home. For all other purchasers (including, but not limited to purchasers for industrial, commercial and business use), the above warranty will apply for a period of 5 years from the original date of purchase.

2. Remedy: If the Product does not conform to the above warranty, Pulse, at its option, will repair or replace the Product, free of charge, or refund your purchase price. For warranty claims, please visit [www.pulshower spas.com/index.php/warranty](http://www.pulshower spas.com/index.php/warranty). Pulse may require that you return the Product to Pulse, shipping prepaid, in which case Pulse will provide you with a return materials authorization number (RMA). Pulse may also require that you provide evidence of the date you purchased the Product. Pulse will ship a new or repaired Product to you, at the expense of Pulse, or refund your purchase price. Service labor performed by you or others in connection with the removal or replacement of the Product will not be reimbursed by Pulse.

3. Exclusions: Pulse shall not be responsible for failure of the Product, and the above warranties will not apply, if the Product fails as a result of improper installation, improper use, modifications or repairs by anyone other than Pulse, or accident or abuse (including damage during shipment).

4. Warranty on Repairs and Replacements: For consumer purchasers who purchased the Product for home use, repaired or replacement Products will continue to be covered under this warranty for as long as he or she owns that same home. For other purchasers, repaired or replacement Products will be covered for the balance of the original warranty period.

5. No Other Warranties; Limitation of Liability: OTHER THAN THE LIFETIME LIMITED WARRANTY STATED ABOVE, PULSE DISCLAIMS ALL OTHER WARRANTIES, EXPRESS OR IMPLIED, INCLUDING BUT NOT LIMITED TO WARRANTIES OF MERCHANTABILITY AND FITNESS FOR A PARTICULAR PURPOSE, TO THE EXTENT PERMITTED BY APPLICABLE LAW. THE REMEDIES STATED ABOVE ARE YOUR SOLE REMEDIES IN CONNECTION WITH THIS WARRANTY. IN NO EVENT WILL PULSE BE LIABLE TO YOU FOR ANY DAMAGES, WHETHER DIRECT, INDIRECT, INCIDENTAL, SPECIAL OR CONSEQUENTIAL, INCLUDING BUT NOT LIMITED TO LOST PROFITS OR BUSINESS INTERRUPTION, ARISING OUT OF OR RELATING TO THE PRODUCT OR ITS USE, WHETHER UNDER A CONTRACT, WARRANTY, TORT, OR ANY OTHER CAUSE OF ACTION, EVEN IF PULSE HAS BEEN ADVISED OF THE POSSIBILITY OF SUCH DAMAGES. NOTWITHSTANDING THE TERM OF ANY LIMITED OR IMPLIED WARRANTY, OR IN THE EVENT THAT ANY LIMITED WARRANTY FAILS OF ITS ESSENTIAL PURPOSE, IN NO EVENT WILL PULSE'S ENTIRE LIABILITY EXCEED THE PURCHASE PRICE OF THE PRODUCT. SOME STATES AND PROVINCES DO NOT ALLOW THE EXCLUSION OR LIMITATION OF INCIDENTAL OR CONSEQUENTIAL DAMAGES SO THE ABOVE LIMITATIONS OR EXCLUSIONS MAY NOT APPLY TO YOU. THIS LIMITED WARRANTY GIVES YOU SPECIFIC LEGAL RIGHTS, AND YOU MAY ALSO HAVE OTHER RIGHTS WHICH VARY FROM STATE TO STATE AND PROVINCE TO PROVINCE.

