



INSTALLATION & OPERATION MANUAL

## ***SPORTS SERIES DOCKLIGHT***

---



# Contents

Preface .....	2
1 Installation Checklist.....	3
2 Overview.....	4
3 Installation.....	7
3.1 INSTALLING THE DOCK LIGHT FIXTURE .....	7
3.2 CONNECTING LIGHTS TO YOUR POWER SOURCE .....	11
3.3 FINALIZE YOUR OCEANLED INSTALLATION.....	14
4 Operation / Maintenance.....	15
4.1 DUAL COLOUR OPERATION.....	15
4.2 SPORT DUAL COLOUR CONFIGURATION MODE.....	15
4.3 SPORT MULTI COLOUR CONTROL WITH DC SWITCH OPERATION .....	16
4.4 MAINTENANCE .....	16
4.5 REPLACEMENT PARTS .....	16
5 Troubleshooting.....	17
5.1 TROUBLESHOOTING PROBLEMS AND THEIR SOLUTIONS .....	17
6 Appendix.....	18
6.1 OVERALL DIMENSIONS.....	18
OVERALL DIMENSIONS – OPTIONAL DOCKLIGHT FLOATING KIT .....	19
6.2 CABLE GAUGE CHART 24V .....	20
7 Warranty .....	22

# Preface

READ AND FOLLOW ALL INSTRUCTIONS IN THIS MANUAL



## CAUTION

(Risk Group 2): Possibly hazardous optical radiation emitted from this product. Do not stare at operating lamp. May be harmful to the eye.



## CLASS 3

This equipment is designed to operate at voltages of less than 50v DC.



## WARNINGS

Before installing your OceanLED Light, read and follow all warning notices and instructions which are included. Failure to follow safety warnings and instructions can result in property damage, severe injury or even death.

Before installing your OceanLED Light, check local laws for restrictions regarding the use of colored lights in your area.

It is advised not to operate lights out of water for a period longer than 5 minutes. Exceeding this may cause damage to the light unit

Salt is an inherently corrosive material. Metal parts and certain natural and man-made surfaces are particularly susceptible to corrosion and deterioration when used in and around salt water. Some OceanLED lights contain combinations of plastic and polymer products which are impervious to salt water corrosion, however, screws and fasteners used for the installation must be of a marine grade type stainless steel or equivalent and monitored annually to ensure the lights remain in service for years to come.

Never Use Solvents! Cleaners, fuel, and other products that may contain strong solvents, such as acetone, that attack many plastics greatly reducing their strength and irreversibly damaging the special lens coatings and cable sheathings.

Never connect/disconnect lights with power applied as irreversible damage may occur. Ensure polarity of power connections is correct. Failure to do this may invalidate the warranty.

Never clean lights using a high-pressure jet wash – this will invalidate warranty. Please avoid coating the front of the light/lens without consulting OceanLED. Failure to do so will invalidate your warranty.

Do not submerge your cable ends in water; cable and connections exposed to under- water submersion will not be covered by warranty. Mounting the light in any other configuration, other than those described in this guide, will invalidate its warranty.

**DANGER****RISK OF ELECTRIC SHOCK OR ELECTROCUTION**

This underwater light must be installed by a licensed or certified electrician in accordance with all applicable local codes and ordinances. Improper installation will create an electrical hazard which could result in death or serious injury to swimmers, installers, or others due to electrical shock, and may also cause damage to property. Always disconnect the power to the light at the circuit breaker before servicing the light. Failure to do so could result in death or serious injury to serviceman, swimmers or others due to electrical shock.

**PRETEST**

Always test the lights prior to installation. Failure to do this may result in additional installation time and could invalidate the warranty.

**GENERAL**

OceanLED underwater dock lights are generally used for illuminating the waters around marinas and waterways. Best placement for achieving the best results are described in selecting the right location.

**IMPORTANT NOTICE**

**Attention Installer:** This manual contains important information about the installation, operation, and safe use of this product. This information should be given to the owner and/ or operator of this equipment.

**WARRANTY COVERAGE**

Please refer to [www.oceanled.com/warranty](http://www.oceanled.com/warranty) for full warranty statement.

# **1** Installation Checklist

1. Decide on light spacing – OceanLED recommendations available.
2. Ensure correct cable gauge is used (refer to relevant cable gauge chart).
3. Make sure the lights have been fitted following the correct orientation.
4. Never leave lights unchecked for a few days after install.  
Always check routinely for a few days after installation to ensure the install is correct and fully sealed.
5. Test installation BEFORE entering water. Never connect/ disconnect lights whilst powered ON.
6. Troubleshooting if required - most issues can be resolved by following the guidelines.

# 2 Overview

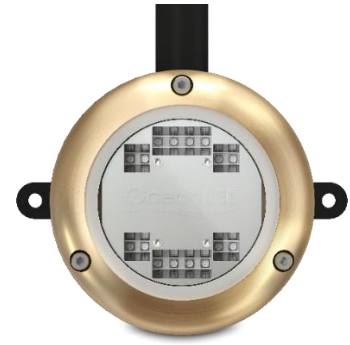
## IDENTIFYING YOUR MODEL



**Single Colour**  
**S3116d**



**Dual Colour**  
**S3124d**



**Multi Colour**  
**S3166d**

### 2.1 PRODUCT OVERVIEW

#### BOX CONTENTS

Sport Dock Light & Cable
Fixed Dock Light Fixing Bracket
In-line Fuse Kit
Mounting Screws
Quick Install Guide

### 2.2 DC POWER/ FUSE RATINGS

For AC to DC power supply, allow at least 15% reserve for voltage fluctuations due to variables beyond your control such as ambient temperature and supply voltage fluctuations to ensure your lights are always receiving the proper voltage and to ensure the power supply is not “overworked” causing premature failure. Use chart below in determining power supplies.

### 2.3 POWER CONSUMPTION AND RECOMMENDED FUSE VALUES



Model	Current @ 24V DC	Max Nominal Power consumption	15% reserve in Watts	Recommended fuse 24V DC
S3116d	2.3A	66w	76w	7A
S3124d	1.7A	43w	50w	7A
S3166s	2.3A	66w	76w	7A

## 2.4 TOOLS AND MATERIALS NOT SUPPLIED BY OCEANLED

- Drill
- Pozi head screwdriver
- Zip-ties
- Waterproof cable connectors / butt splices and glue lined heat shrink and/or IP68 junction box(s)\*
- 1/2" PVC Conduit (schedule 40)
- PVC Solvent Adhesive

\*Optional 4-Way Junction box available from OceanLED. Please contact OceanLED or your representative for further information

## 2.5 ACCESSORIES

<p><b>SPORT DOCKLIGHT FLOATING KIT</b> <b>#012108</b></p> <p>Optional Easi-Kleen floating bracket mechanism makes it simple to swing the light out of the water to clean.</p>	
<p><b>4 WAY V DC POWER JUNCTION BOX</b> <b>#019901</b></p> <p>Provides 4x individually fused outputs.</p>	
<p><b>POWER SUPPLY</b> <b>#001-600072</b></p> <p>Input: 100-240VAC, Output: 24VDC/ 6.3A, 150W, IP67 Rated Powers 2x S3116d Single Colour, or S3124d Dual Colour, or S3166d Multi-Colour</p>	

Products may vary from image shown.

## FINDING THE MOUNTING LOCATION

**Design** - Your new OceanLED Dock Light(s) have a wide angle light beam that allows you to engineer a beautiful look around your property. Consider even spacing, boat traffic, tidal fluctuations, storms, seasons, and the overall desired effect when designing your installation.

**Depth** - Fixed Piling or Bulkhead - Ideally mount your lights at similar depth levels to ensure matching colour consistency through the water. Deeper lights will look duller and possibly differ in colour compared to shallower mounted units. Keep in mind that you will want them mounted within reach of a cleaning brush on a pole for standard maintenance.

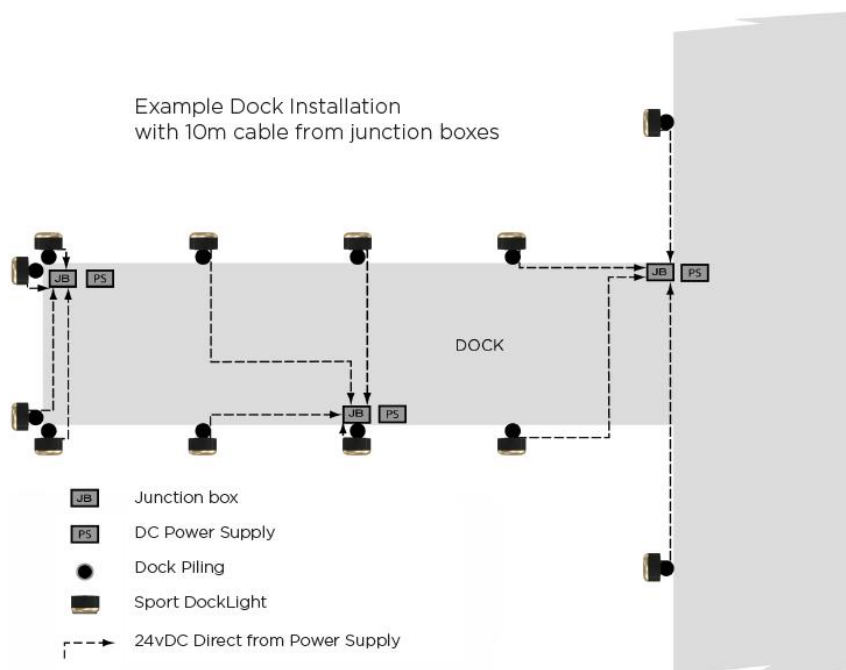
**Spacing** - Your lights should be spaced evenly between 5 feet to 10 feet (1.5 meters to 3.0 meters) apart depending on the effect you wish to achieve, the clarity of the water (clear water: 10 feet/3 meters; dirty water: 5 feet/1.5 meters) and considering the overall design of the installation.

SPACING / INSTALL DEPTH	SPORTS SERIES DOCKLIGHT
Recommended Spacing	1.5m – 3m (5-10')
Recommended Installation depth (below mean low water)	300mm - 500mm (UK) / 12" - 20" (US)

**OVERALL DIMENSIONS**

See overall dimension schematic – in the Appendix, Chapter 7.

**EXAMPLE SINGLE/ DUAL COLOUR DOCK LIGHT INSTALLATION**



# 3 Installation

OceanLED makes every effort to protect our marine and fresh water environment as well as our natural resources. Please take care to keep packaging away from and out of the water by ensuring loose packaging materials are secured and not susceptible to being blown into the water. Please recycle all packaging materials as the sustainability of our environment is everyone's responsibility.

## **WARNINGS:**

- Never use power tools to secure your lights; hand tighten only.
- We recommend you use screws provided. If alternative screws are used, do not use counter sunk or non-flat shoulder screws to secure your lights.
- Please check all components prior to installation. If there is any damage to connectors, cables, and/ or any other component, please notify OceanLED BEFORE installation. Failure to notify OceanLED of damage in transit prior to installation will lead to violation of warranty.
- Do not submerge your cable in water; cable and connections exposed to underwater submersion will not be covered by warranty. Mounting the light in any other configuration, other than those described in this guide, will invalidate its warranty. Any incorrectly bonded conduit pipes to the dock light support that allow water ingress will not be covered under warranty.



**!** Please do not use any un-authorized cleaning products to remove excess paint or antifoul off the bezel. OceanLED recommends using Isopropyl Alcohol (IPA) only.

**Never install a new light fixture then leave in the water unchecked for several days.**

## 3.1 INSTALLING THE DOCK LIGHT FIXTURE

### Fixed

#### PROCEDURE

1. Install ½ inch PVC conduit into dock light, feeding the cable through the conduit, ensure conduit end surface that is bonded to the dock light support has a continuous smooth surface and that a waterproof bond is achieved. Bond the conduit to the dock light using PVC solvent weld adhesive (not supplied).

**NOTE: The conduit must be fully sealed along all its length and at the point of cable entry to prevent water ingress - failure to do so will invalidate warranty.**

2. Mark the positioning of the 2x mounting holes and drill pilot hole or adequate sized hole for screw anchor / wall plug.
3. Attach the unit to the installation surface using 2x screws provided.
4. Once the light is installed protect the point of cable entry into the conduit from water ingress
5. Connect the lights to the power source as described below in section 3.2.



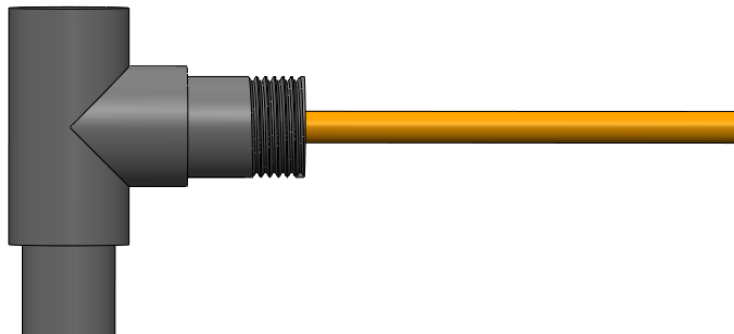
## Floating Dock Kit

### TOOLS AND MATERIALS NOT SUPPLIED BY OCEANLED

- PVC Solvent Adhesive
- ½" Conduit (Schedule 40) – Length as required to go between Docklight and mounting bracket.
- Drill & Drill Bits
- Screwdriver

### PROCEDURE

1. Install the required length of ½" PVC conduit (not supplied) into the dock light, feeding the power cable through the conduit. Bond the conduit to the dock light using PVC solvent weld adhesive (not supplied), ensuring the bond is fully watertight.
2. Install the other end of the conduit into the supplied Tee adaptor, feeding the cable through the 90° threaded exit pipe, and bond in place in the required orientation using PVC solvent weld adhesive ensuring that the joint is fully watertight:



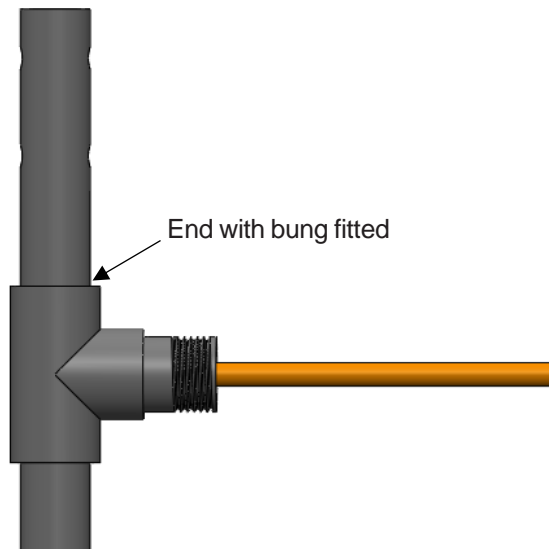
Bond Conduit Tee Adaptor to PVC Conduit Pipe (not supplied)

3. If not already fitted, fit the supplied tube bung into the lower end of the pivot tube (the end furthest from the holes).



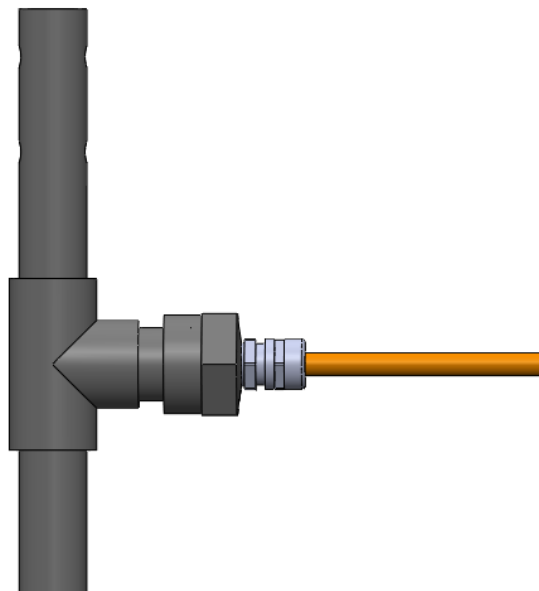
Pivot Tube (With bung fitted)

4. Fit the end of Pivot Tube with the bung into the Tee adaptor, and bond in place with PVC solvent adhesive. Note that to obtain the required light orientation, the holes in the pivot tube will be parallel to the bracket mounting face, so the pivot tube must be aligned correctly to the Docklight on the lower tube. Ensure that the joint is watertight.



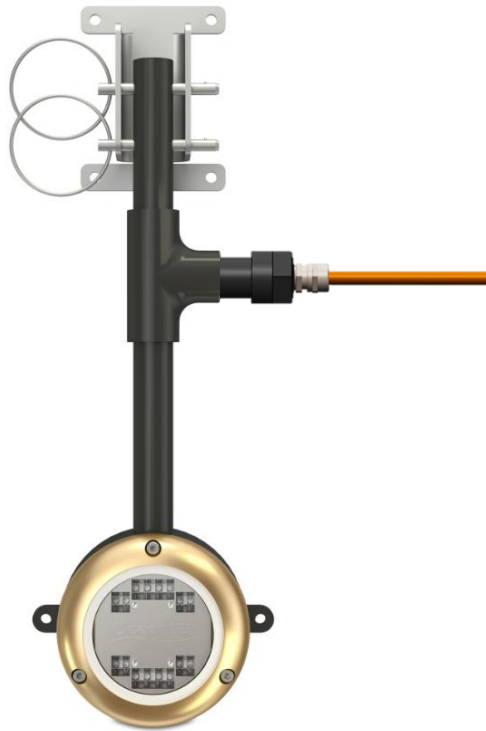
Pivot Tube fitted into Tee adaptor

5. Ideally leave the unit(s) overnight to allow the PVC adhesive to fully cure, and adhesive vapors within the conduit to disperse. Ensure that during this time it is left in a dry area to prevent water ingress into the conduit. Once cured, feed the cable through the cable gland on the supplied conduit cap. Apply a suitable marine sealant or PTFE tape to the threaded pipe on the Tee adaptor, and screw on the conduit cap / gland, ensuring that the joint is fully watertight.



Fit Conduit Cap with Cable Gland – Ensure threaded joint is sealed.

6. Tighten the cable gland to ensure a watertight seal.
7. Place the bracket in the required location and mark the position of the four mounting holes. Fix the bracket in place using screws suitable for the mounting substrate.
8. Fix the Docklight assembly to the bracket using the top hole in the pivot tube, and central detent pin. Ensure the pin is pushed through both sides of the bracket.
9. The light can now be lowered into the water and locked in place using the bottom detent pin.



10. Continue to connect the lights to your power source as described below in section 3.2. of the DockLight Install Manual.

**!** It is important to ensure the conduit is fully sealed, to stop water ingress into the unit. All connections should also be fully sealed (including sealing the outer cable jacket) as water can work its way up the cables into the light via capillary action. Ingress of water through the cables, or via unsealed conduit will void warranty

### 3.2 CONNECTING LIGHTS TO YOUR POWER SOURCE



Always consult a qualified electrician when connecting OceanLED light fixtures.

When connecting light units, please note that all OceanLED lights will operate within a specific voltage range. Please check the electrical information to ensure cable gauge follow the recommendations.

Never leave the bare cables unprotected. Take care to not leave the bare wire ends in bilge water before making the waterproof connections. Water deposits in the connectors and cables will cause corrosion. Over time water can also work its way into the unit along the inside of the cable due to capillary action causing the light to fail. This will NOT be covered under warranty.

### CONNECTING LIGHTS TO YOUR DC POWER SOURCE

OceanLED Sport models require a 24V DC supply. This supply should be a minimal 3A @ 24v DC per light. It is recommended to connect the light to the DC power source using a two pole, screw type terminal block with a minimum voltage rating of 50V and a current rating of at least 6A. The ends of the cable should be stripped back (if required) and suitable ferrules fitted. The terminal block should be fixed inside a waterproof enclosure (IP66 minimum).



For complete instructions on DC connections, please refer to ABYC codes of practice and other applicable codes and ordinances for DC connections.

Where multiple lights are fitted, and especially on 12V systems, it is advised to use a relay system to supply the switched power to the lights, to reduce load on the switch and voltage drops caused by long cable runs to the switch location.

For complete instructions on vDC connections, please refer to The National Electric Code and consult local electrical codes.

1. Depending on the model and number of lights installed, you will need to pull the correct sized power cable from the DC power source (breaker/fuse panel) to the light locations to supply constant power to the light units. It is imperative that the correct sized tinned marine grade cable is used to avoid voltage drop issues. See appendix for recommended cable gauges.
2. Using waterproof butt splices or IP66 waterproof junction boxes, make the connections at either end of the system to attach the lights to the DC system. If appropriate, use a dielectric grease when making the connections and make sure any heat shrink used completely encapsulates the outer wire sheath (the use of glue-lined heat shrink is highly recommended to ensure water tightness).

Where multiple lights are fitted, it is advised to use a relay system to supply the switched power to the lights, to reduce load on the switch and voltage drops caused by long cable runs to the switch location.

**NOTE: Corrosion of wire, and/or water ingress into the light unit via the cable is NOT covered under warranty.**

3. If you are not installing a custom fuse panel, it is imperative that the OceanLED supplied fuse is installed on each power line from each light. Failure to do so will void the warranty. See table in Chapter 1.
4. Secure cables ensuring where the cable exits the light it is not under undue stress. Finish and test light units, if you have any issues and need troubleshooting advice, please contact your local OceanLED representative.

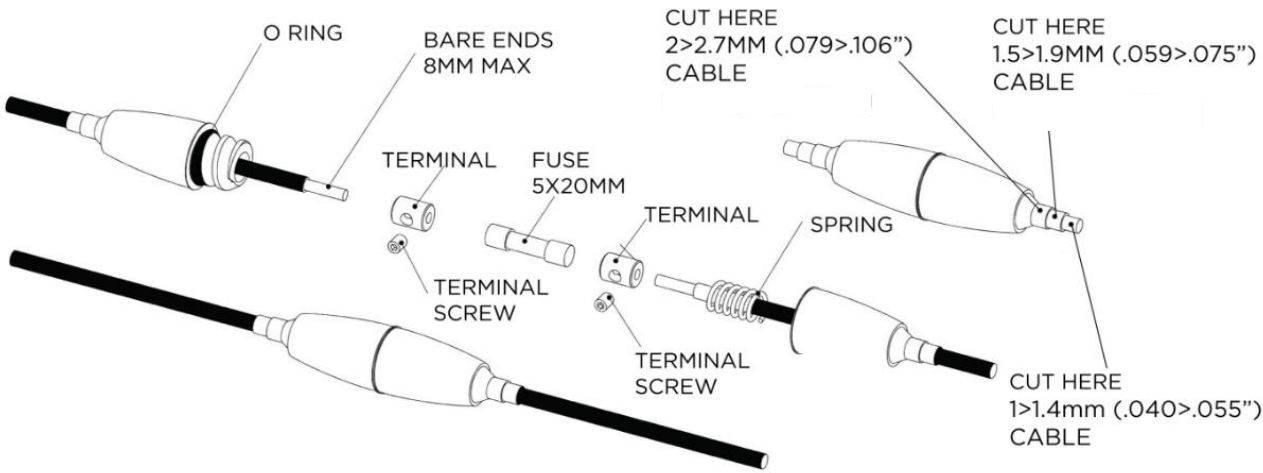
SPORTS SERIES DOCKLIGHT

**KIT INCLUDES**

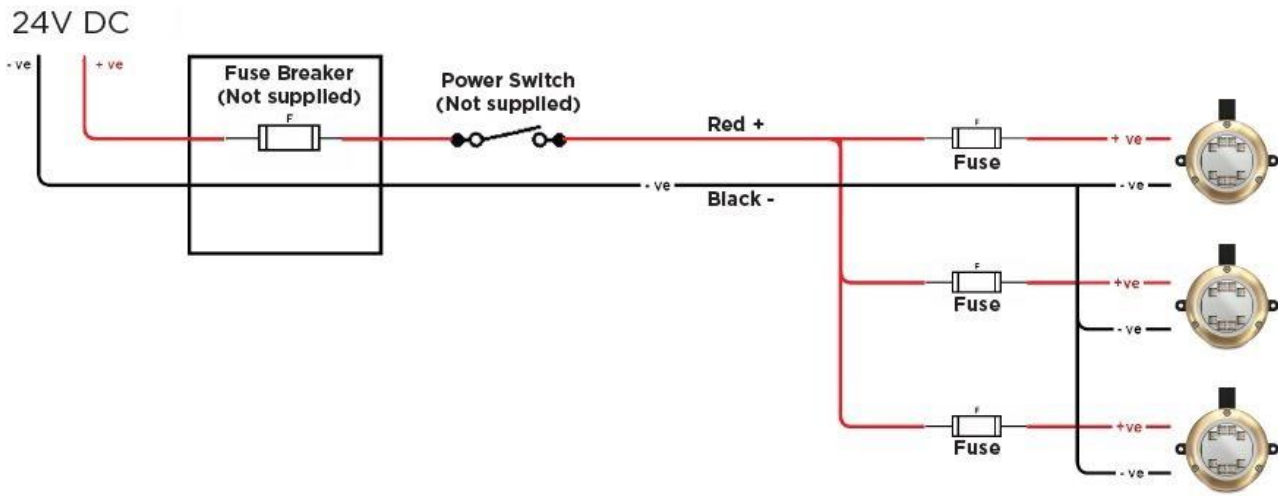


Fuse Kit


FUSE KIT CONNECTION OVERVIEW

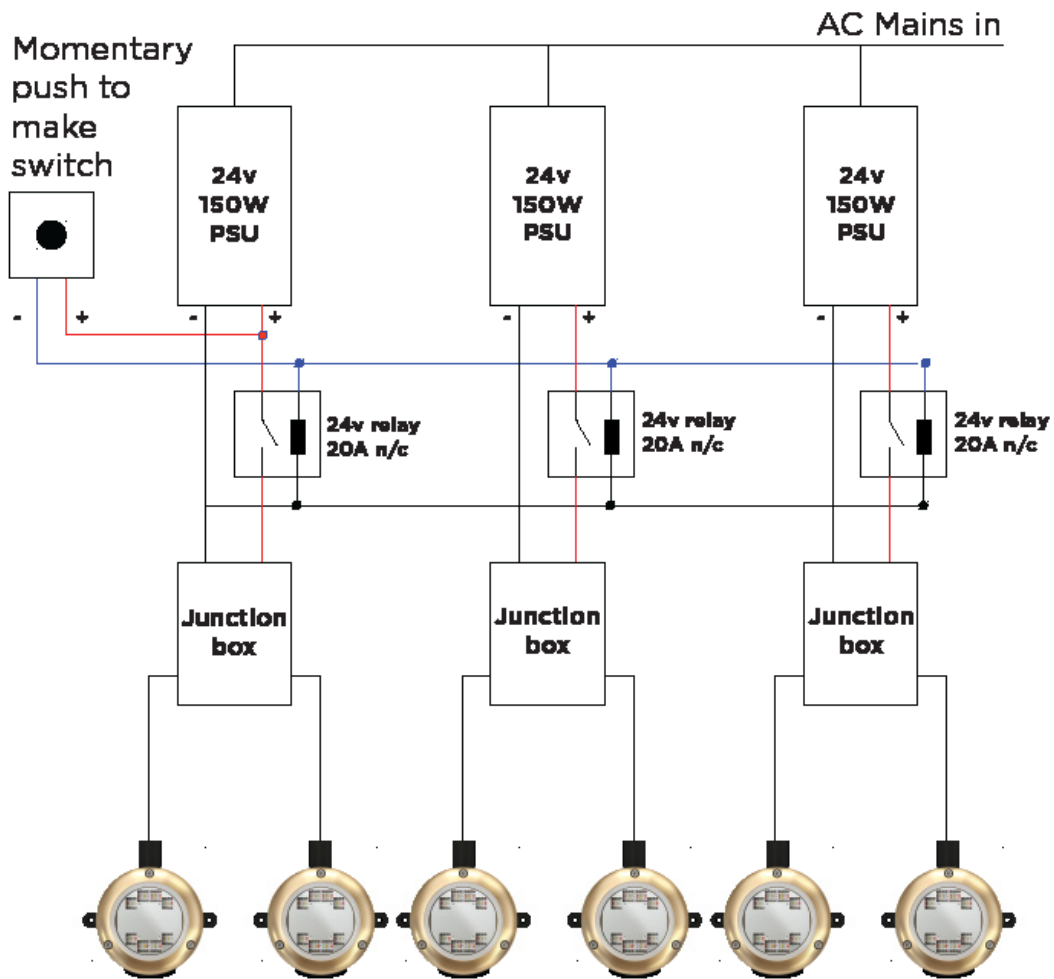


EXAMPLE CONNECTION DIAGRAM, SINGLE/ DUAL COLOUR



### EXAMPLE CONNECTION DIAGRAM, MULTI-COLOUR

 When using the Sport Multi Colour Docklights in an installation using multiple AC power supplies it is recommended to fit relays into the DC supply side of the installation to allow lights to be controlled together and kept in sync. The relays need to be controlled with a common control switch to interrupt the supply to the lights to enable changing the operation mode of the lights. See below for a connection example.



 All relays should be at least 20A contact rated, normally closed type. Pressing switch should disconnect supply to lights.

### POWER SUPPLY REQUIREMENTS

A suitably fused 24v supply is required for each light. DO NOT CONNECT DIRECTLY TO MAINS AC! A 7 Amp fuse / breaker is recommended for each light.

When selecting the mains AC to DC converter(s) it is important to ensure that the overall power requirements are met, allowing a 'reserve' of at least 15% of the overall power to allow for losses in cable runs.

When connecting multiple lights to one power source the OceanLED 4-way junction box is recommended as this provides four independent separately fused outputs for each light.

## POWER CABLE REQUIREMENTS

It is important to select the correct size cable for the supply to the dock lights. The required cable gauge depends on the current draw and the length of the cable run from the power source to the light(s). Note that where the power source is remote from the power junction box connected to each light, this cable will carry the total current for all the connected lights, and should be sized correctly to prevent excessive voltage drop and power loss.

The cables from the power junction box to the lights themselves can be a smaller gauge, but again should be correctly selected depending on their length to prevent excessive voltage drop. Please refer to the cable gauge diagram in the Appendix.



**THE SUPPLY CABLE MUST BE PROTECTED BY A SUITABLE FUSE OR BREAKER.**

## 3.3 FINALIZE YOUR OCEANLED INSTALLATION

### Test your lights

At this final stage make sure all of the system is operational. See Chapter 3 Operation. If you have any issues, please contact your local OceanLED representative.

# 4 Operation / Maintenance

## 4.1 DUAL COLOUR OPERATION

1. Single colour white – this mode is entered when the light is first turned on.
2. Single colour blue
3. Fade - Fade between white and blue.
4. Dual colour (blue and white both on)



To cycle between the above modes, turn off the light for less than 1 second, then back on again.

**NOTE:** Fade mode is not guaranteed to stay in sync between lights over time.

## 4.2 SPORT DUAL COLOUR CONFIGURATION MODE

Enables selection of either white or blue colour as default at power up.

**To enter configuration mode:**

1. Turn on light(s)
2. Wait around 1 second (or until light(s) illuminate)
3. Turn off light(s)
4. Wait for a minimum of 5 seconds then turn light(s) back on again.
5. Repeat steps 2-4 another 4 times. (If the light changes mode on re power up then the light has not been turned off for long enough in step 4)
6. On the 5th power up, the light(s) should enter the configuration mode – this will be confirmed with a sequence of five blue/white flashes followed by a steady white (the steady colour indicates the default start up colour).

**Setting the default start up colour:**

1. Once the configuration mode has been entered (see above). Toggling off the power and back on again quickly (as in a normal mode change) will toggle between the default start-up colours (blue & white). This is indicated by the colour displayed after the blue/white flash sequence.
2. To save the selected state simply turn off the light(s) when the required start up colour is displayed and wait for 5-10 seconds.
3. The light(s) should now be configured to start with the selected colour as default



### 4.3 SPORT MULTI COLOUR CONTROL WITH DC SWITCH OPERATION

 **The Sport Multi Colour has three modes of operation, single colour mode, cycle / programming mode, and strobe mode:**

1. Single colour mode – this mode is entered when the light is first turned on. The light will be a single colour, either a default white, or a previously selected colour.
2. Strobe mode – to enter this mode, turn off the light for less than 1 second, then back on again. The light will flash in a pseudo-random pattern - the colour will be the same as that in single colour mode.
3. Cycle / Program mode, to enter this toggle the power to the unit off twice for less than 1 second each time. The light will then slowly cycle and fade through the colour spectrum (see diagram below for cycle order). It can be left in cycling if required, or alternatively, once the light shows the desired colour this can be stored by switching the light off for more than 2 seconds. When the light is switched back on it will be back in single colour mode, displaying the previously selected colour.

**NOTE: If during the above operations, one or more lights connected go out of sync, simply switch off the lights for more than 2 seconds, then re-enter cycle mode to re-select the colour.**

#### 3.1 SPORT MULTI COLOUR CYCLE

Blue ----> White ----> Green ----> Blue ----> Red ----> Green (then repeat).

### 4.4 MAINTENANCE

Sea growth can collect quickly on the light and this can reduce the performance in just a few weeks. To prevent the build-up of sea growth, all OceanLED lights have been coated with a specialized Tritonium coating which makes the surface of the lens a non-stick layer which helps ward off long term barnacle buildup.

Lights should be cleaned with a boat brush or similar biweekly or as needed to keep the lens of the light clear. Growth varies greatly around the world and maintenance is imperative to the proper operation and longevity of the product. If heavy fouling occurs, barnacles can be removed from the lens using a plastic scraper and moderate pressure. This can be done in the water using a plastic scraper. If out of water, moisten the growth before wiping.

 **Harsh cleaning solvents will damage the light and Tritonium coating. Never clean lights using a high-pressure jet wash – this will invalidate warranty. Failure to do so will invalidate your warranty.**

### 4.5 REPLACEMENT PARTS

The light source of this luminaire is not replaceable; when the light source reached its end of the life the whole luminaire shall be replaced.

Lost, broken and worn parts can be replaced on request and can be obtained through your local OceanLED representative. If the external flexible cable of this unit is damaged, contact your local OceanLED representative to arrange for replacement (cable must only be replaced by OceanLED, service agent or a similar qualified person).

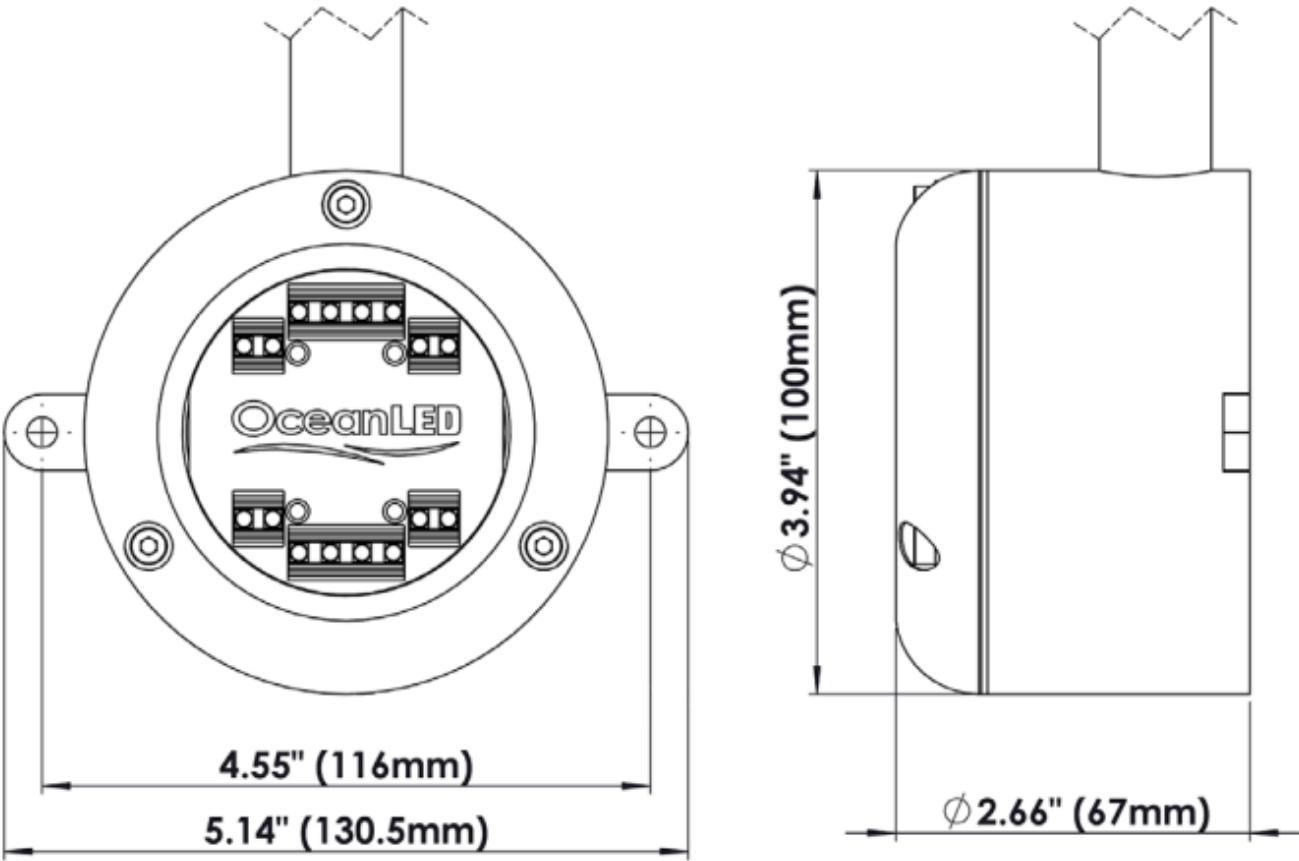
# 5 Troubleshooting

## 5.1 TROUBLESHOOTING PROBLEMS AND THEIR SOLUTIONS

SPORT DOCKLIGHT			
Light does not look bright	Check that there is no marine growth on the lens.	Sea life / Barnacles present	Clean the lens as per Chapter 3.
	Check voltage supply to the light is between 20 volts and 28 volts DC.	Voltage is either too high or too low	Investigate reason for high or low voltage and fix.
	Check voltage supply is stable and does not fluctuate.	Voltage is fluctuating	Investigate reason for voltage fluctuation and fix.
	Check that the electrical connections between the driver power cable and the supply cable have been made correctly.	Poor electrical connection	Remake connection and seal joint correctly.
	Confirm all LEDs are illuminated.	1 - 5 LEDs are not working	Contact your dealer.
		6+ LEDs are not working	Typically this is due to water penetration of the cable due to poor connection or abraded cable.
Check lights to see if water is present inside the light.	Water present	If water is present contact your dealer. Typically this is due to water penetration via the cable due to poor connection or damaged cable.	
Light does not light up.	Check that there is power supplied to the light cable connection.	Poor electrical connection.	Trace the cables back, checking at joints until break has been located.
	Check that the wiring polarity is correct, red to positive and black to negative.	Polarity incorrect.	Change the wiring polarity and seal joint correctly.
	Check that there is power supplied to the light cable connection.	Replace fuse.	If fuse keeps blowing, then there is a short circuit in the light system that must be traced and rectified. If no external short can be located contact your local OceanLED representative.
Light has water inside.	Check connections to make sure they are not submerged in water.	Light will require replacing.	This is not covered by the warranty.
	Check cable to make sure there is no damage to the cable. (If cable is damaged, it must only be replaced by OceanLED, service agent or similar qualified person).	Light will require replacing.	This is not covered by the warranty.

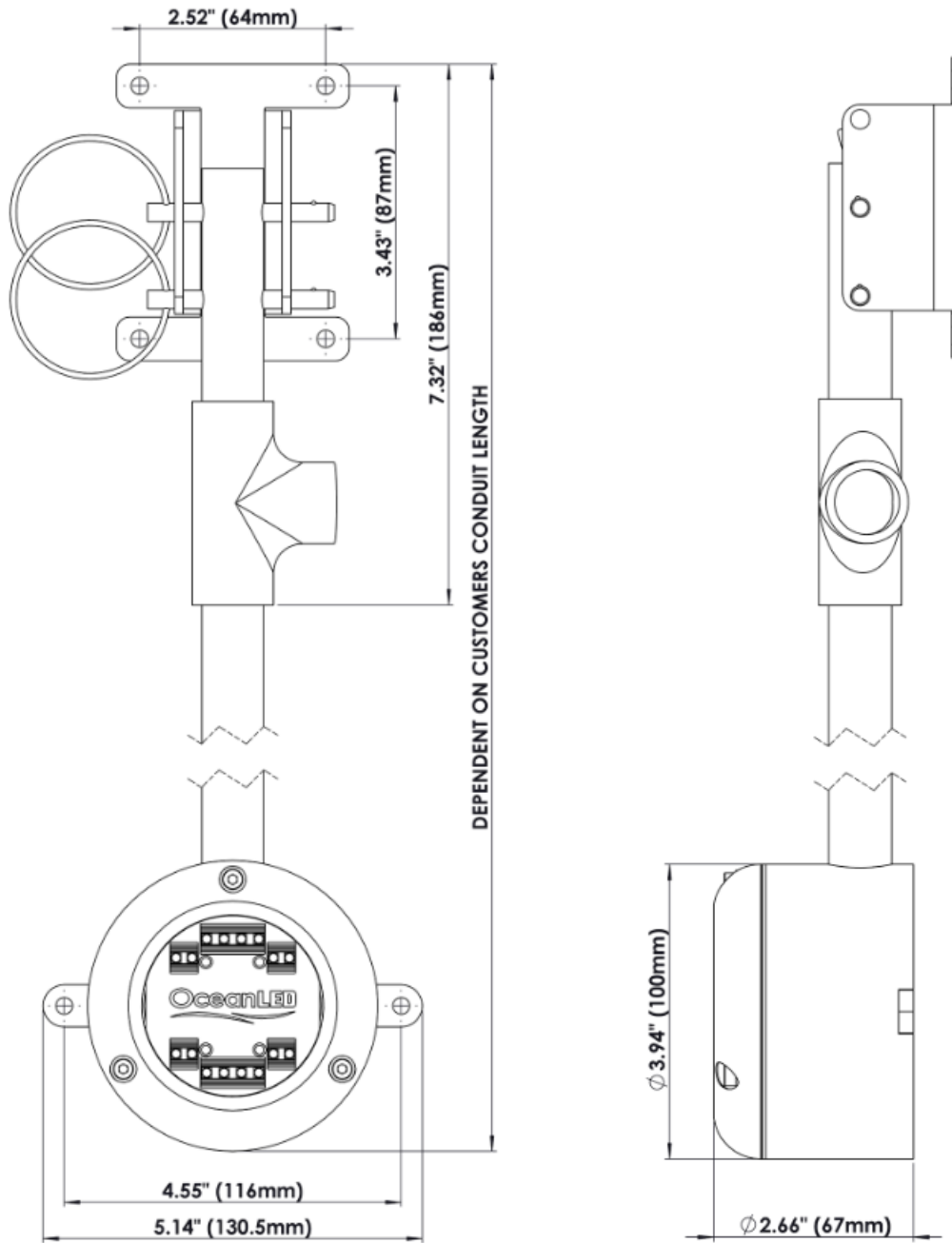
# 6 Appendix

## 6.1 OVERALL DIMENSIONS



PHYSICAL	
Total Weight	1.2kg
Cable Length (standard)	32.8" (10m)
In-line Fuse Kit	0.5" (12.5mm)

**OVERALL DIMENSIONS – OPTIONAL DOCKLIGHT FLOATING KIT**



## 6.2 CABLE GAUGE CHART 24V

Supply & Return Cable Conductor Size Chart 3% drop for when using 24V DC supply											
Cable length (feet)*	Circuit Current										
	2 Amp	4 Amp	6 Amp	8 Amp	10 Amp	15 Amp	20 Amp	25 Amp	30 Amp	40 Amp	50 Amps
0-5	18 AWG	18 AWG	18 AWG	18 AWG	18 AWG	16 AWG	14 AWG	14 AWG	12 AWG	12 AWG	10 AWG
5-10	18 AWG	18 AWG	16 AWG	16 AWG	14 AWG	12 AWG	12 AWG	10 AWG	10 AWG	8 AWG	8 AWG
10-15	18 AWG	16 AWG	14 AWG	14 AWG	12 AWG	12 AWG	10 AWG	8 AWG	8 AWG	6 AWG	6 AWG
15-20	18 AWG	16 AWG	14 AWG	12 AWG	12 AWG	10 AWG	8 AWG	8 AWG	6 AWG	6 AWG	4 AWG
20-25	18 AWG	14 AWG	12 AWG	12 AWG	10 AWG	8 AWG	8 AWG	6 AWG	6 AWG	4 AWG	4 AWG
25-30	16 AWG	14 AWG	12 AWG	10 AWG	10 AWG	8 AWG	6 AWG	6 AWG	4 AWG	4 AWG	2 AWG
30-35	16 AWG	14 AWG	12 AWG	10 AWG	10 AWG	8 AWG	6 AWG	6 AWG	4 AWG	4 AWG	2 AWG
35-40	16 AWG	12 AWG	10 AWG	10 AWG	8 AWG	6 AWG	6 AWG	4 AWG	4 AWG	2 AWG	2 AWG
40-45	14 AWG	12 AWG	10 AWG	10 AWG	8 AWG	6 AWG	4 AWG	4 AWG	4 AWG	2 AWG	2 AWG
45-50	14 AWG	12 AWG	10 AWG	8 AWG	8 AWG	6 AWG	4 AWG	4 AWG	2 AWG	2 AWG	1 AWG
50-55	14 AWG	12 AWG	10 AWG	8 AWG	8 AWG	6 AWG	4 AWG	4 AWG	2 AWG	2 AWG	1 AWG
55-60	14 AWG	10 AWG	10 AWG	8 AWG	6 AWG	4 AWG	4 AWG	2 AWG	2 AWG	1 AWG	0 AWG
60-65	14 AWG	10 AWG	8 AWG	8 AWG	6 AWG	4 AWG	4 AWG	2 AWG	2 AWG	1 AWG	0 AWG
65-70	14 AWG	10 AWG	8 AWG	8 AWG	6 AWG	4 AWG	4 AWG	2 AWG	2 AWG	1 AWG	0 AWG
70-75	12 AWG	10 AWG	8 AWG	6 AWG	6 AWG	4 AWG	2 AWG	2 AWG	2 AWG	0 AWG	2/0 AWG
75-80	12 AWG	10 AWG	8 AWG	6 AWG	6 AWG	4 AWG	2 AWG	2 AWG	1 AWG	0 AWG	2/0 AWG
80-85	12 AWG	10 AWG	8 AWG	6 AWG	6 AWG	4 AWG	2 AWG	2 AWG	1 AWG	0 AWG	2/0 AWG
85-90	12 AWG	10 AWG	8 AWG	6 AWG	4 AWG	4 AWG	2 AWG	2 AWG	1 AWG	0 AWG	2/0 AWG
90-95	12 AWG	8 AWG	8 AWG	6 AWG	4 AWG	4 AWG	2 AWG	1 AWG	1 AWG	2/0 AWG	2/0 AWG
95-100	12 AWG	8 AWG	6 AWG	6 AWG	4 AWG	2 AWG	2 AWG	1 AWG	0 AWG	2/0 AWG	3/0 AWG

\*One-way cable length from supply (usually battery) to load.



# 7 Warranty

Please remove this page and keep for your files

For technical assistance:

Europe: [service@oceanled.com](mailto:service@oceanled.com)

The Americas: [warranty@oceanledusa.com](mailto:warranty@oceanledusa.com)

Warranty Serial Code(s):


© 2022 Ocean LED Marine LTD  
All Rights Reserved

Specifications are subject to change without notice.

Trademarks are the property of Ocean LED Marine LTD

**Ocean LED Marine LTD**

Unit 1 Jacknell Road  
Dodwells Bridge Industrial Estate  
Hinckley,  
Leicestershire LE10 3BS  
United Kingdom

Tel: +44 (0) 1455 637505  
Fax: +44 (0) 1455 238553  
[sales@oceanled.com](mailto:sales@oceanled.com)

**Ocean LED USA LLC**

778 South Military Trail  
Deerfield Beach  
Florida  
FL 33442-3025  
USA

Tel: +1 954.523.2250  
Fax: +1 954.523.2249  
[sales@oceanledusa.com](mailto:sales@oceanledusa.com)